



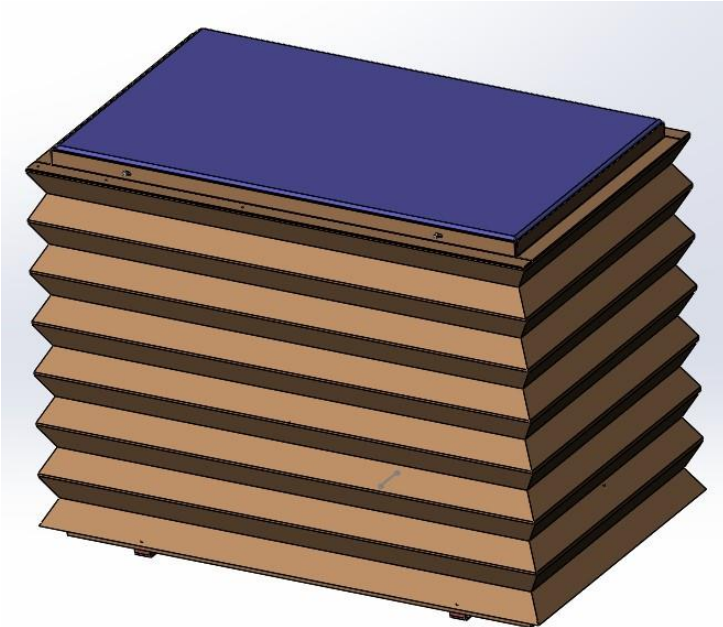
**GLOBAL™  
INDUSTRIAL**

*We can supply that.®*

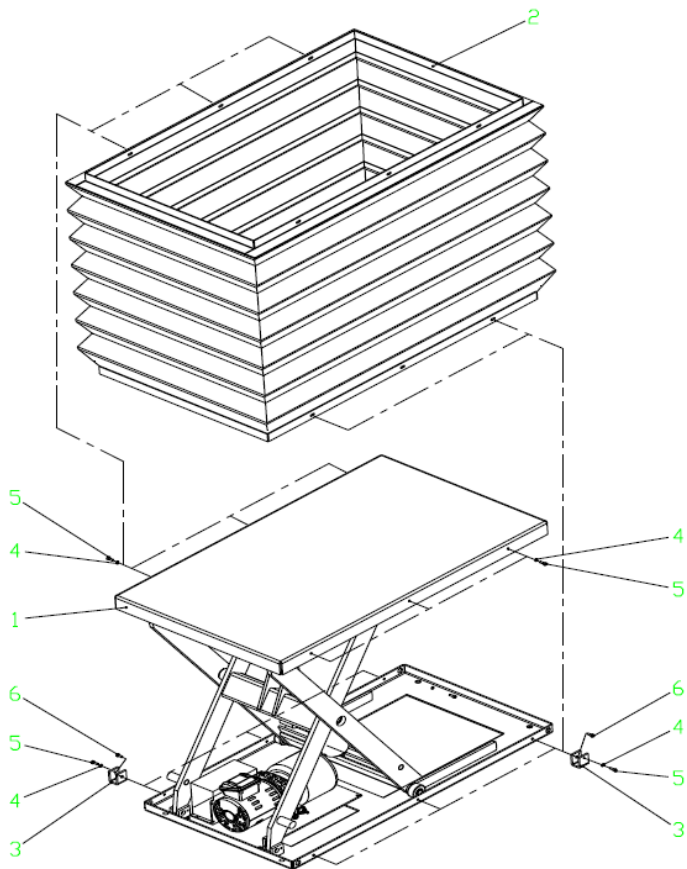
## Installation Instructions

**Bellows Package for Power Scissor Lift Table for Model  
293223, 2932234, 293225, 293226, 293227, 293228, 293229**

1. **Power Lift Table (with bellows):**



## 2. Installation diagram of bellows:



**Parts Diagram** (Qty differs from model no.)

No	DESCRIPTION	QTY	No	DESCRIPTION	QTY
1	Power lift table	1	4	Plat washer 6	8 or 12
2	Bellows	1	5	Hexagon socket screw M6×12	8 or 12
3	mounting plate of bellows	4 or 6	6	Outer hexagon bolt M6×16	4 or 6

### **3. Installation procedure:**

3.1 Raise the power lift table to the highest position, put down the safety rod, and cut off the power supply.

3.2 Fix the #3(mounting plate of bellows) on the base of power lift table with #6(outer hexagon bolt).

3.3 Put #2(bellows) above of power lift table, adjust its length and width, then insert it downward.

3.4 Fixed the upside of #2(bellows) via #4(flat washer) and #5(hexagon socket screw) on the platform of power lift table.

3.5 Turn back the safety rod.

3.6 Fixed the down side of #2(bellows) on the #3(mounting plate of bellows) with #4(flat washer) and #5(hexagon socket screw).