



GLOBAL INDUSTRIAL™

We can supply that.®

User's manual

Manual del usuario

Manuel de l'utilisateur

Customer Service
US: 1-800-645-2986

Servicio de atención al Cliente
US: 1-800-645-2986

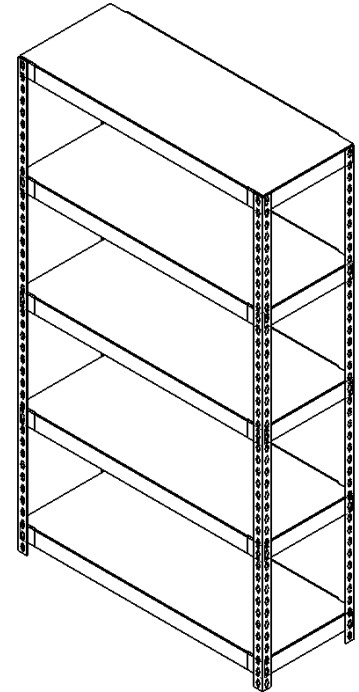
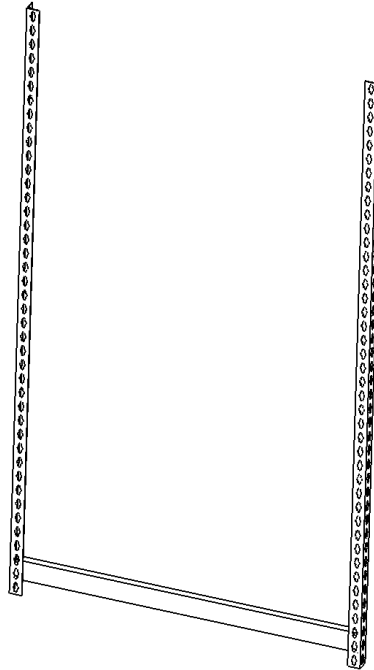
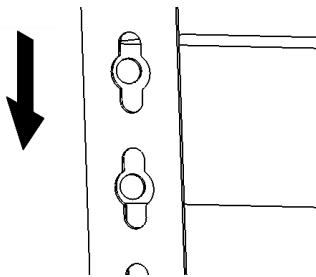
Service à la clientèle
Canada: 888-645-2986

High Capacity Boltless Steel Shelving

Assembly Instructions

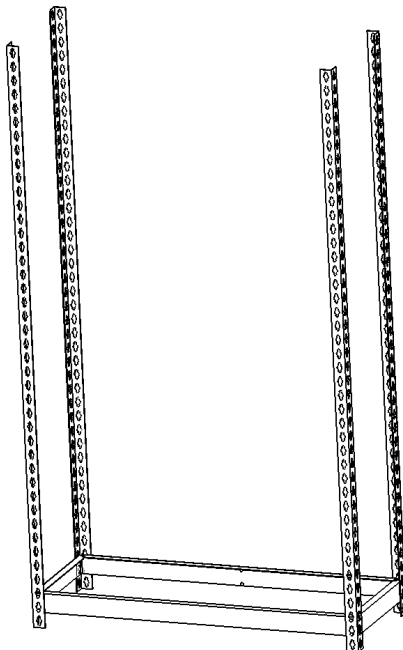
- 1 With help from others holding up the posts, begin by installing the bottom outer shelf support beams by inserting the knob through the wide circle of the slots on the posts and sliding down.

IT IS IMPORTANT TO START FROM THE BOTTOM

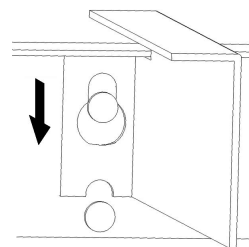


- 2 While continuing to hold the 4 posts, install the other 3 support beams for the bottom shelf.

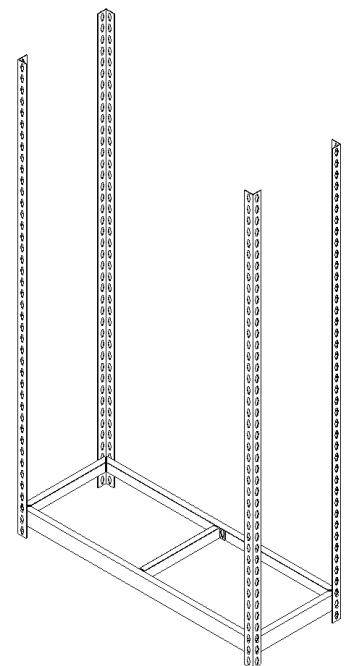
Continue to physically hold the posts until at least 2 shelves are installed.



- 3 Install the middle support bar in the same manner that the outer support beams were installed in the post. Align the holes in the support bars with the knobs on the middle support bar, then slide the support bar down.



WARNING!
DO NOT ASSEMBLE ALONE

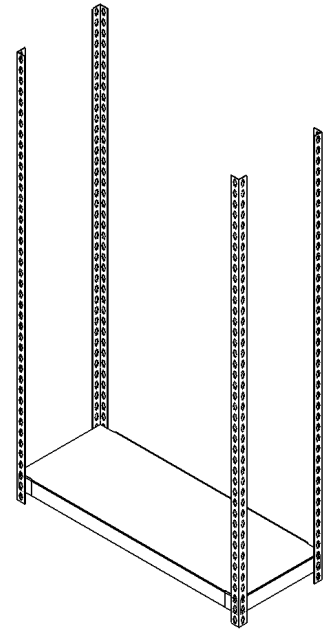
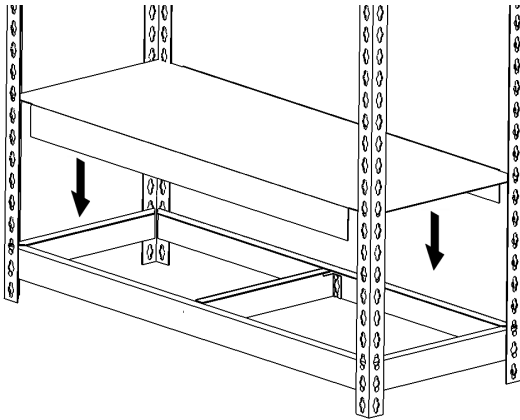


BEFORE USE, REVIEW WARNINGS ON BACK OF PAGE

High Capacity Boltless

4

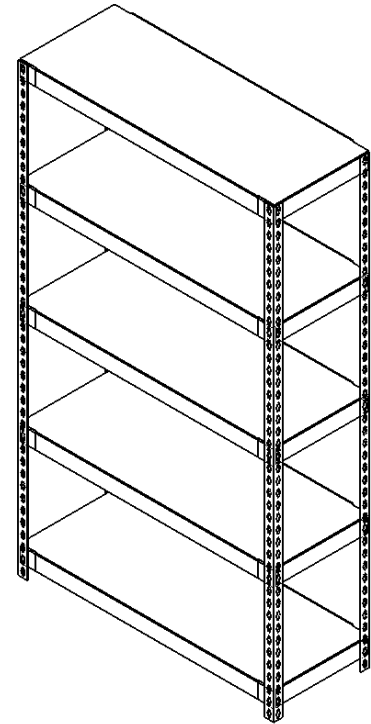
Once all 5 support bars are secure, gently put the shelf plate over the support bars. Tilt if necessary to secure one edge first before gently laying directly on the supports.



5

Repeat the above steps for the remaining shelves. Do not begin another shelf assembly until all steps for the previous steps are completed.

It is recommended to install the bottom shelf first, then the top, then fill out the remaining shelves from the second lowest to the second highest.



! WARNING

1. DO NOT CLIMB ON RACK
2. DO NOT USE RACK AS LADDER
3. HAND LOAD ONLY
4. DO NOT OVERLOAD
5. DO NOT DROP LOAD ON SHELF
6. LOADS MUST BE EVENLY DISTRIBUTED ON SHELF
7. LOAD LOWER LEVELS FIRST, LOAD UPPER LEVELS LAST
8. KEEPER PIN MUST BE INSERTED TO PREVENT BEAM FROM MOVING
9. RACK UNITS SHOULD BE PLACED ON LEVEL SURFACE