

Assembly Instructions	Instrucciones de Ensamblaje	Directives d'assemblage
Customer Service US: 1-800-645-2986	Servicio de atención al Cliente US: 1-800-645-2986	Service à la clientèle Canada: 888-645-2986

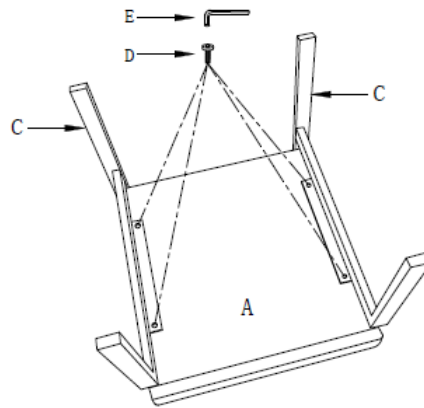
Leather Reception Chair With Arms

Safety Information

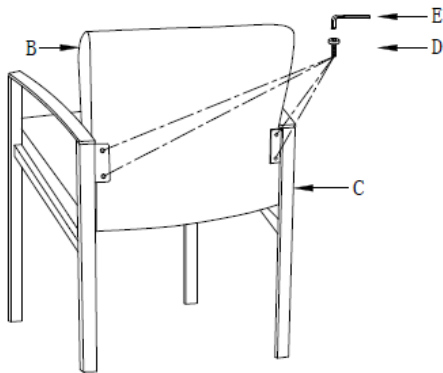
- Ensure all screws are fully tightened before using chair.
- Do not assemble if hardware and/or parts are missing or damaged.

Models	
695731	Black
695865	Black with silver frame

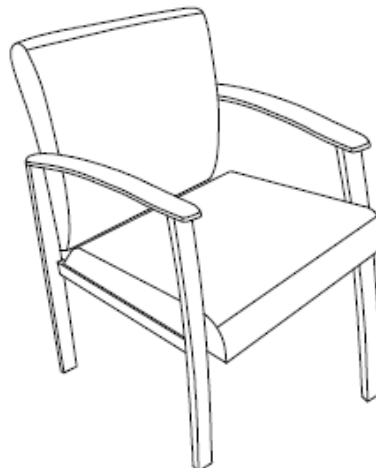
Step 1
 Attach and hand tighten seat cushion to armrest using screws. (Do not fully tighten screw)

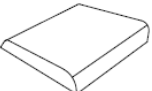





Step 2
 Attach and hand tighten back cushion to the seat frame using screws. (Do not fully tighten screws)



Step 3
 Ensure that the chair seat is parallel to the floor and that the armrests are vertical. Then tighten all screws with allen wrench.



CONTENTS		
Ref.	Qty.	Description
A	1	Seat Cushion 
B	1	Back Cushion 
C	2	Armrest 
D	8	Screws 
E	1	Allen Wrench 