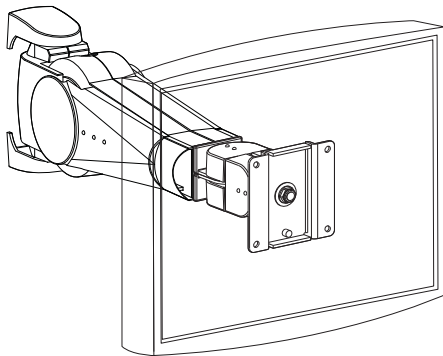


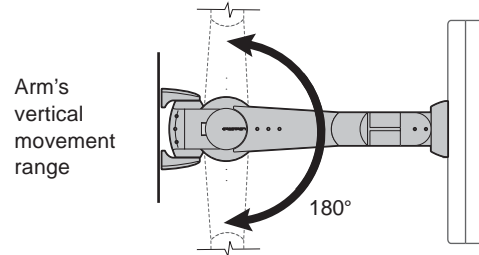
### 400 Series Wall Mount LCD Arm



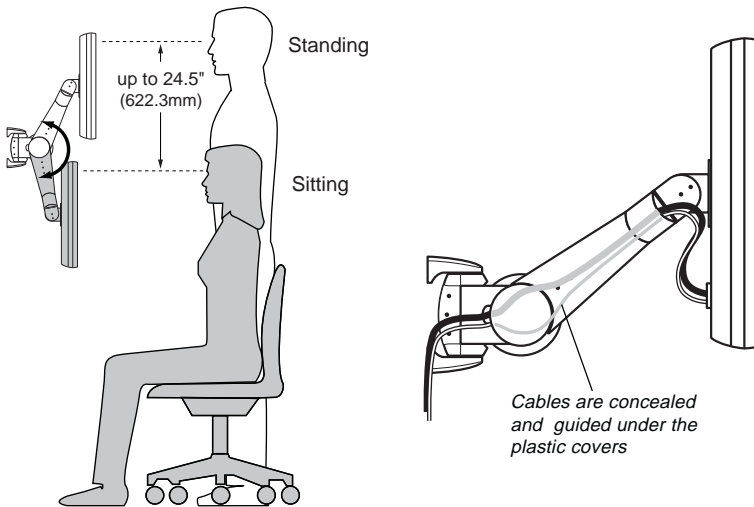
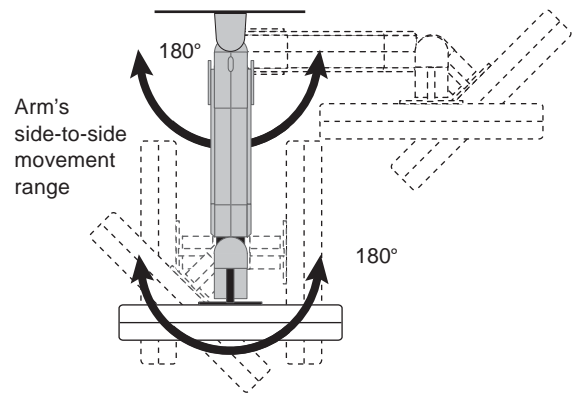
#### Weight Capacity

**LB** 5 - 23 lbs  
**kg** (2.27-10.43 kg)

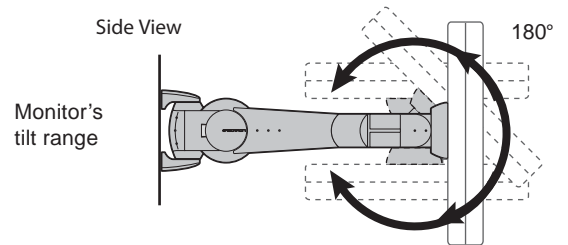
#### Range of Motion Side View



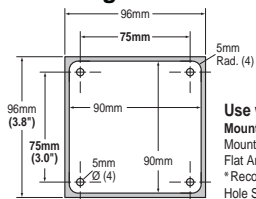
#### Top View



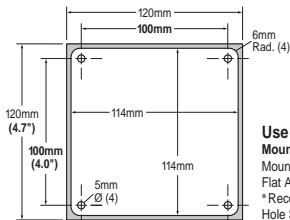
#### Side View



#### Mounting Plate interface dimension:



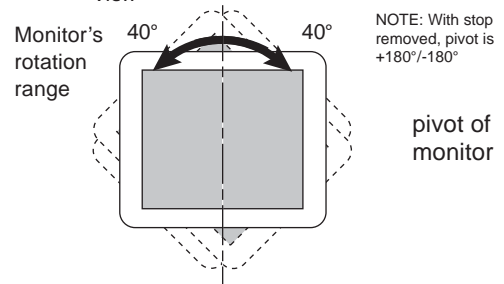
Use with flat panel monitors with < 17" screen :  
Mounting Hole Pattern 75mm (2.953" sq.)  
Mounting Plate Size - 90mm (3.543" sq.)  
Flat Area required on back of monitor - 96mm (3.780" sq.)  
\*Recommended Mounting Screws - 4mm x 10mm  
Hole Size in Arm Mounting Pad - 5mm



Use with flat panel monitors with ≥ 17" screen:  
Mounting Hole Pattern 100mm (3.937" sq.)  
Mounting Plate Size - 114mm (4.488" sq.)  
Flat Area required on back of monitor - 120mm (4.724" sq.)  
\*Recommended Mounting Screws - 4mm x 10mm  
Hole Size in Arm Mounting Pad - 5mm

\* = Verify with monitor manufacturer on specific screw recommendations.

#### Front View



#### Americas Sales and Corporate Headquarters

St. Paul, MN USA  
(800) 888-8458  
+1-651-681-7600  
www.ergotron.com  
sales@ergotron.com

#### EMEA Sales

Amersfoort, The Netherlands  
+31 33 45 45 600  
www.ergotron.com  
info.eu@ergotron.com

#### APAC Sale

Tokyo, Japan  
www.ergotron.com  
apaccustomerservice@ergotron.com

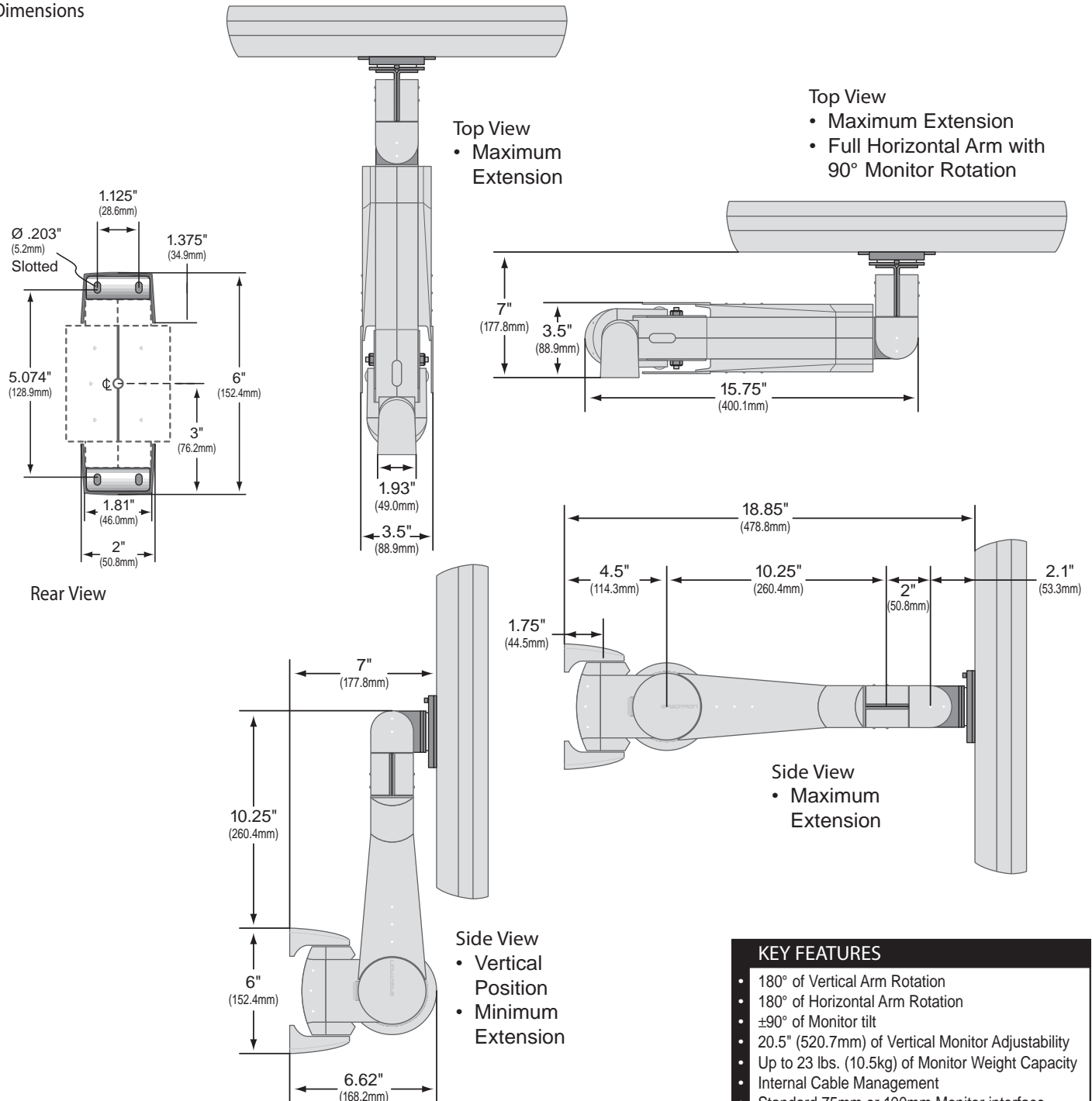
#### Worldwide OEM Sales

www.ergotron.com  
info.oem@ergotron.com



### 400 Series Wall Mount LCD Arm

#### Dimensions



#### KEY FEATURES

- 180° of Vertical Arm Rotation
- 180° of Horizontal Arm Rotation
- ±90° of Monitor tilt
- 20.5" (520.7mm) of Vertical Monitor Adjustability
- Up to 23 lbs. (10.5kg) of Monitor Weight Capacity
- Internal Cable Management
- Standard 75mm or 100mm Monitor interface
- Custom Flat Panel interfaces available

© 2013 Ergotron, Inc. rev. 03/17/2015 DIM-400Series Content is subject to change without notification

#### Americas Sales and Corporate Headquarters

St. Paul, MN USA  
 (800) 888-8458  
 +1-651-681-7600  
 www.ergotron.com  
 sales@ergotron.com

#### EMEA Sales

Amersfoort, The Netherlands  
 +31 33 45 45 600  
 www.ergotron.com  
 info.eu@ergotron.com

#### APAC Sale

Tokyo, Japan  
 www.ergotron.com  
 apaccustomerservice@ergotron.com

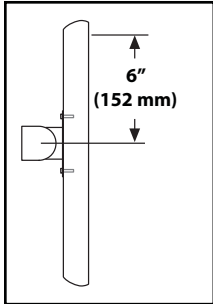
#### Worldwide OEM Sales

www.ergotron.com  
 info.oem@ergotron.com

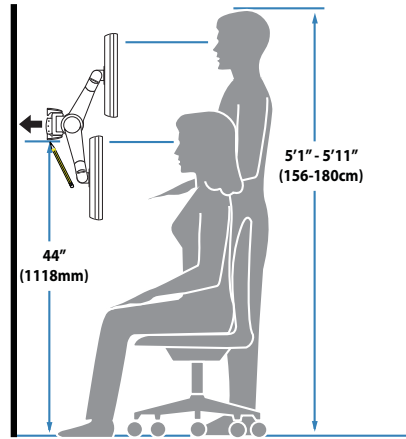


# Mounting Height for Ergonomic Workstation

This mounting height is a recommendation for an ergonomic workstation that accommodates user heights of 5'1" - 5'11". If user heights are different than this, you should change mounting height to accommodate user heights. (Change mounting height one inch for every one inch difference in user heights).



Mounting height assumes there is a 6" (152 mm) distance between the center of your monitor mounting holes and the top of the screen. If your distance is smaller, you should increase mounting height accordingly, if your distance is larger, you should decrease your mounting height accordingly.



© 2013 Ergotron, Inc. rev. 03/17/2015 DIM-400Series Content is subject to change without notification

## Americas Sales and Corporate Headquarters

St. Paul, MN USA  
(800) 888-8458  
+1-651-681-7600  
www.ergotron.com  
sales@ergotron.com

## EMEA Sales

Amersfoort, The Netherlands  
+31 33 45 45 600  
www.ergotron.com  
info.eu@ergotron.com

## APAC Sale

Tokyo, Japan  
www.ergotron.com  
apaccustomerservice@ergotron.com

## Worldwide OEM Sales

www.ergotron.com  
info.oem@ergotron.com

