



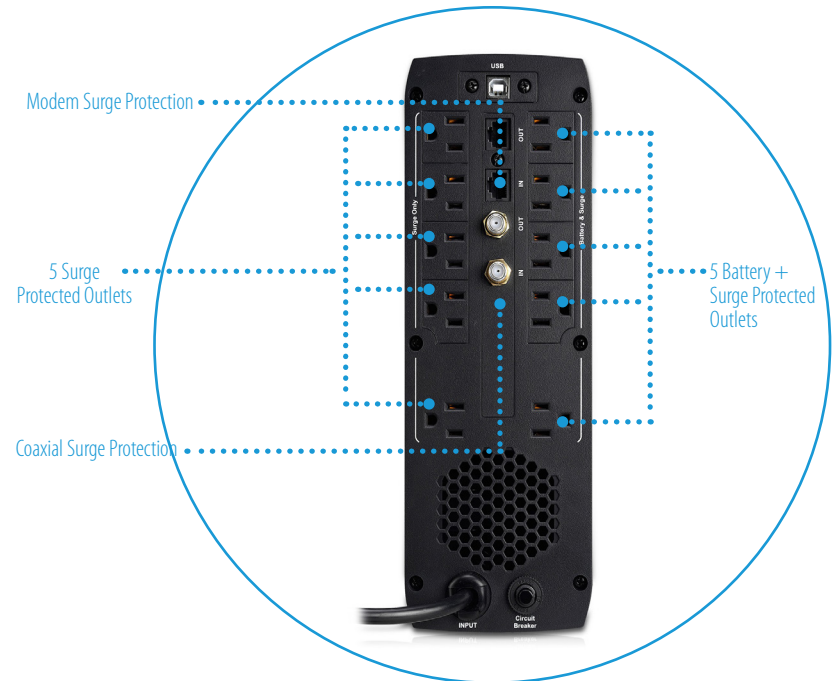
UPS Systems

With functionality, flexibility, and ease of installation at top of mind, V7 UPS systems are designed with high grade durable components and materials. Rigorous load and performance testing ensure safety and protection for the devices connected. Manufactured at ISO certified facilities with high standard procedures for material handling and inspection.



UPS 1500VA Tower

- 1500VA tower UPS with Simulated Sine Wave Output with 10 Outlets
- Boost AVR automatically adjusts for under-voltage ensuring stable power and longer life batteries
- Energy efficient design
- Quick-access front panel for changing batteries
- Audio & Visual alarms for immediate warning of battery, load, and other issues
- EU version includes both EU and UK Power Cords

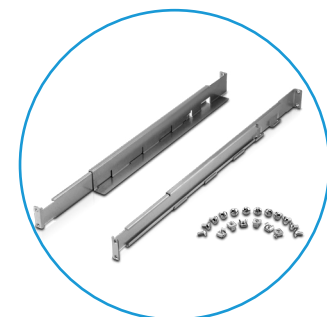
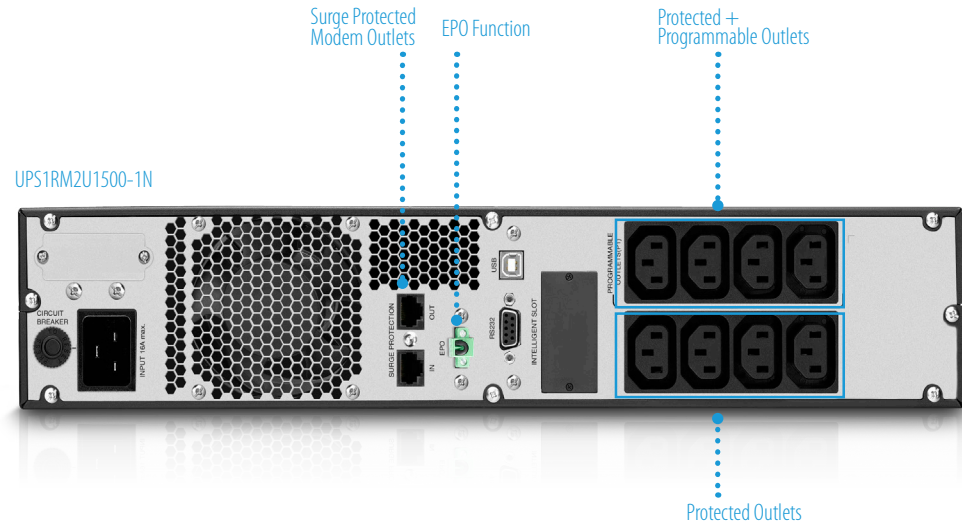
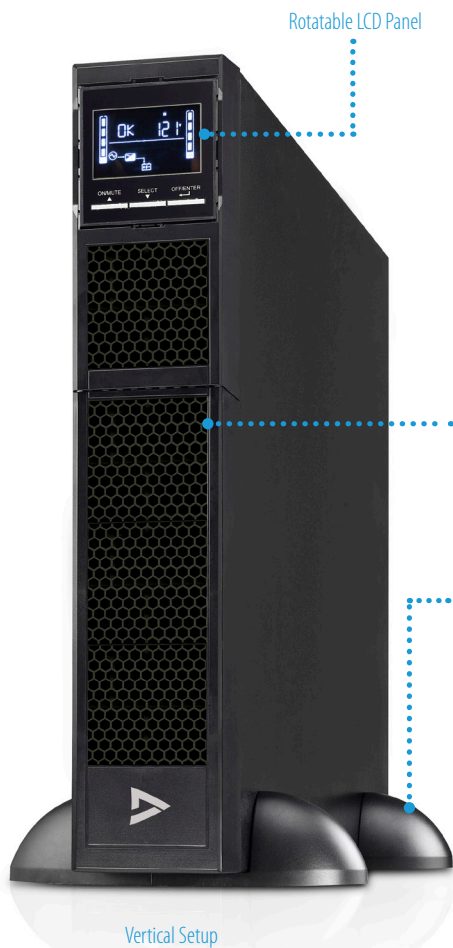


UPS1TW1500-1N

	US
VPN	UPS1TW1500-1N
SKU	8Q9026

UPS 1500VA Rack Mount 2U

- 1500vA Rack Mount UPS with Pure Sine Wave Output with 8 Outlets
- Boost and Buck AVR automatically adjusts for under-voltage and over-voltage ensuring stable power and longer life batteries.
- ECO (Efficiency Corrective Optimizer) for energy saving and EPO function (Emergency Power Off)
- Programmable power management outlets maximize backup time to critical devices by setting shorter backup time for non-critical devices
- Audio & Visual alarms for immediate warning of battery, load, and other issues
- Includes rail kit for rack installation

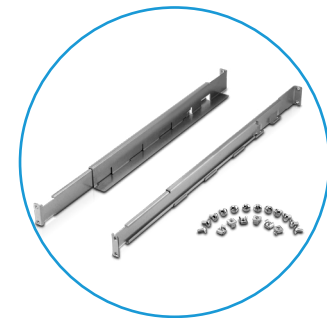
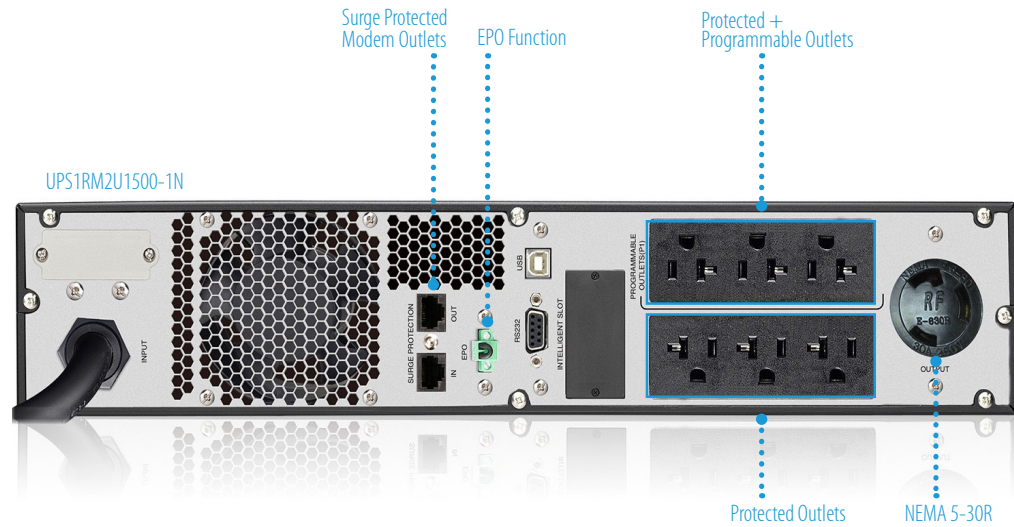


Included Rack Mounting Hardware

	US
VPN	UPS1RM2U1500-1N
SKU	6B3134

UPS 3000VA Rack Mount 2U

- 3000VA Rack Mount UPS with Pure Sine Wave Output with 8 Outlets
- Boost and Buck AVR automatically adjusts for under-voltage and over-voltage ensuring stable power and longer life batteries.
- ECO (Efficiency Corrective Optimizer) for energy saving and EPO function (Emergency Power Off)
- Programmable power management outlets maximize backup time to critical devices by setting shorter backup time for non-critical devices
- Audio & Visual alarms for immediate warning of battery, load, and other issues
- Includes rail kit for rack installation



Included Rack Mounting Hardware

	US
VPN	UPS1RM2U3000-1N
SKU	8Q9025

UPS 550VA Desktop US

- 550VA Desktop UPS with 10 Outlets (5 battery backup + 5 surge only)
- Convenient and compact desktop design with top facing outlets
- Energy Star Certified ensuring efficient and eco friendly power.
- USB connectivity to your PC for optional advanced monitoring and control
- Audio & Visual alarms for immediate warning of battery, load, and other issues



	US
VPN	UPS1DT550-1N
SKU	6B3134

UPS 750VA Desktop US

- 750VA Desktop UPS with 10 Outlets (5 battery backup + 5 surge only)
- Convenient and compact desktop design with touch screen LCD to display UPS information
- Energy Star Certified ensuring efficient and eco friendly power.
- USB connectivity to your PC for optional advanced monitoring and control
- Audio & Visual alarms for immediate warning of battery, load, and other issues



	US
VPN	UPS1DT750-1N
SKU	6B3133

SNMP Network Card

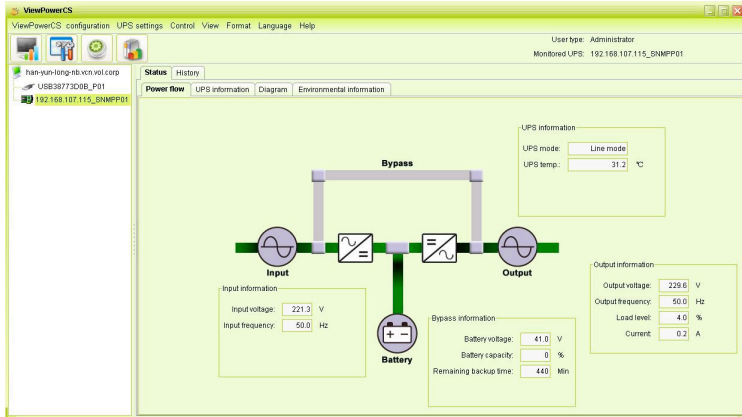
- Allows control and monitoring of multiple UPS systems across the network from one computer
- Real-time dynamic graphs of UPS data (voltage, frequency, load level, battery level)
- Warning notifications via audible alarm, broadcast, Email and SNMP traps
- Historic event data log
- Password security protection and remote access management
- UPS Compatibility: UPS1RM2U1500, UPS1RM2U3000



V7 UPS included Software

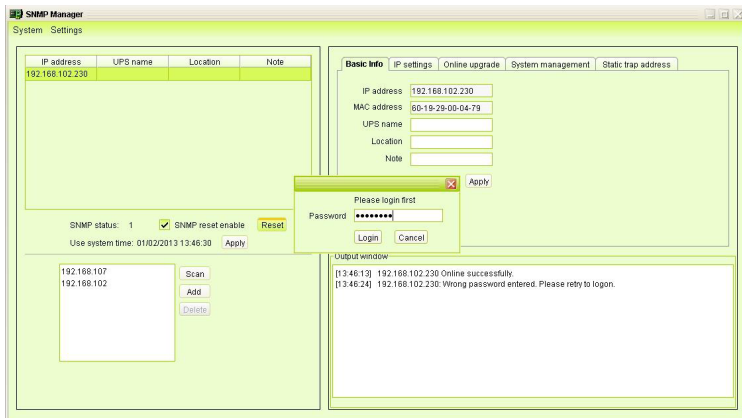
All V7 UPS Systems include robust UPS software available for free downloads

- **ViewPower** for Viewing, Controlling, and Monitoring your UPS systems and automatic computer shutdown
- **Shutdown Wizard** for standalone software allowing automatic computer shutdown



The Shutdown Wizard configuration window includes the following settings:

- Accepts shutdown command from remote systems
- Remote IP list: 127.0.0.1, 192.168.0.1 (with Add and Del buttons)
- Power-off option: Shutdown Sleep mode
- On shutdown execute file: c:/windows/notepad.exe
- Example: C:/windows/notepad.exe
- Apply button



UPS Backup Runtime

This chart shows the estimated runtime for V7 UPS models, showing you the total load in watts and the runtime in minutes


Model	Capacity (VA/W)	Battery Output Voltage(V)	Battery		Backup Time (minutes)									
			Battery Type	Qty	10% Load	20% Load	30% Load	40% Load	50% Load	60% Load	70% Load	80% Load	90% Load	100% Load
UPS1DT550-1N	550VA/330W	12V	12V 5Ah	1	60	27	15	10	8	6	4.5	3	2.2	2
UPS1DT750-1N	750VA/450W	12V	12V 5Ah	1	45	20	12	7.3	5.8	4	2.5	2	1	0.5
UPS1TW1500-1N	1500VA/900W	24V	12V 9Ah	2	64	37.5	23.5	15	11	8.5	6	4.5	3.5	3
UPS1RM2U1500-1N	1500VA/1350W	48V	12V 7Ah	4	76.9	35.8	24.4	17	12.7	10	8.1	6.6	5.4	4.5
UPS1RM2U3000-1N	3000VA/2700W	72V	12V 9Ah	6	77.7	38.4	23.8	16.4	12	9.1	7.1	5.7	4.7	3.8

UPS Product Line Overview

	550VA Desktop US	750VA Desktop US	1500VA Rack Mount 2U US
			
Model #	UPS1DT550-1N	UPS1DT750-1N	UPS1RM2U1500-1N
SKU	6B3132	6B3133	6B3134
Backup/Run Time (Full Load)	2 minute	30 second	4.5 minute
Backup/Run Time (Half Load)	8 minute	5.5 minute	12.7 minute
Load Capacity (VA)	550VA	750VA	1500VA
Load Capacity (Watt)	330W	450W	1350W
Transfer Time	6 ms (max 10ms)	6 ms (max 10ms)	4 ms (max 8ms)
Waveform Type	Simulated Sine Wave	Simulated Sine Wave	Sine Wave
Input	NEMA 5-15P	NEMA 5-15P	NEMA 5-15P
Receptacles:	10 (5 Surge) NEMA 5-15R	10 (5 Surge) NEMA 5-15R	8 x NEMA 5-15R
Surge Protection	L-N:632 Joules	L-N:632 Joules	L-N:720 Joules
Cord Length	6 feet / 1.83 m (Attached Cord)	6 feet / 1.83 m (Attached Cord)	10 feet / 3 m (Attached Cord)
Equipment Protection Warranty	\$100,000	\$100,000	\$150,000
Indicator	LED: On/Off, Power/Battery, UPS Fault	Touch LCD: LCD: AC Mode, Battery mode, Load Level, Battery Level, Input Voltage, Output Voltage, Overload, Fault and Low Battery	LCD: AC Mode, Battery mode, Load Level, Battery Level, Input Voltage, Output Voltage, Overload, Fault and Low Battery
Audible Alarms	Battery is on, Battery is Low, Overload or Wiring Fault	Battery is on, Battery is Low, Overload or Wiring Fault	Battery is on, Battery is Low, Overload or Wiring Fault
Operating environment	0-90 % RH@ 0-40 °C	0-90 % RH@ 0-40 °C	0-90 % RH@ 0-40 °C
Data Line Protection (RJ-11, RJ-45, etc.)	RJ-11, RJ-45	RJ-11, RJ-45	RJ-11, RJ-45

UPS Product Line Overview

	UPS 1500VA Tower US	3000VA Rack Mount 2U US
		
Model #	UPS1TW1500-1N	UPS1RM2U3000-1N
SKU	8Q9026	8Q9025
Backup/Run Time (Full Load)	3 minute	3.7 minute
Backup/Run Time (Half Load)	11 minute	11.8 minute
Load Capacity (VA)	1500VA	3000VA
Load Capacity (Watt)	900W	2700W
Transfer Time	6 ms (max 10ms)	4 ms (max 8ms)
Waveform Type	Simulated Sine Wave	Pure Sine Wave
Input	NEMA 5-15P	NEMA 5-30P
Receptacles:	10 (5 Surge) NEMA 5-15R	6 x NEMA 5-20R, 1 x NEMA 5-30R
Surge Protection	L-N:316 Joules	L-N:720 Joules
Cord Length	6 feet / 1.83 m (Attached Cord)	10 feet / 3 m (Attached Cord)
Equipment Protection Warranty	\$100,000	\$150,000
Indicator	LCD: AC Mode, Battery mode, Load Level, Battery Level, Input Voltage, Output Voltage, Overload, Fault and Low Battery	LCD: AC Mode, Battery mode, Load Level, Battery Level, Input Voltage, Output Voltage, Overload, Fault and Low Battery
Audible Alarms	Battery is on, Battery is Low, Overload or Wiring Fault	Battery is on, Battery is Low, Overload or Wiring Fault
Operating environment	0-90 % RH@ 0-40 °C	0-90 % RH@ 0-40 °C
Data Line Protection (RJ-11, RJ-45, etc.)	RJ-11, RJ-15, RJ-45	RJ-11, RJ-45

SNMP Network Card for UPS

UPSSNMP1-1N
2GT711
<ul style="list-style-type: none"> • Allows control and monitoring of multiple UPS systems across the network from one computer • Real-time dynamic graphs of UPS data (voltage, frequency, load level, battery level) • Warning notifications via audible alarm, broadcast, Email and SNMP traps • Historic event data log • Password security protection and remote access management