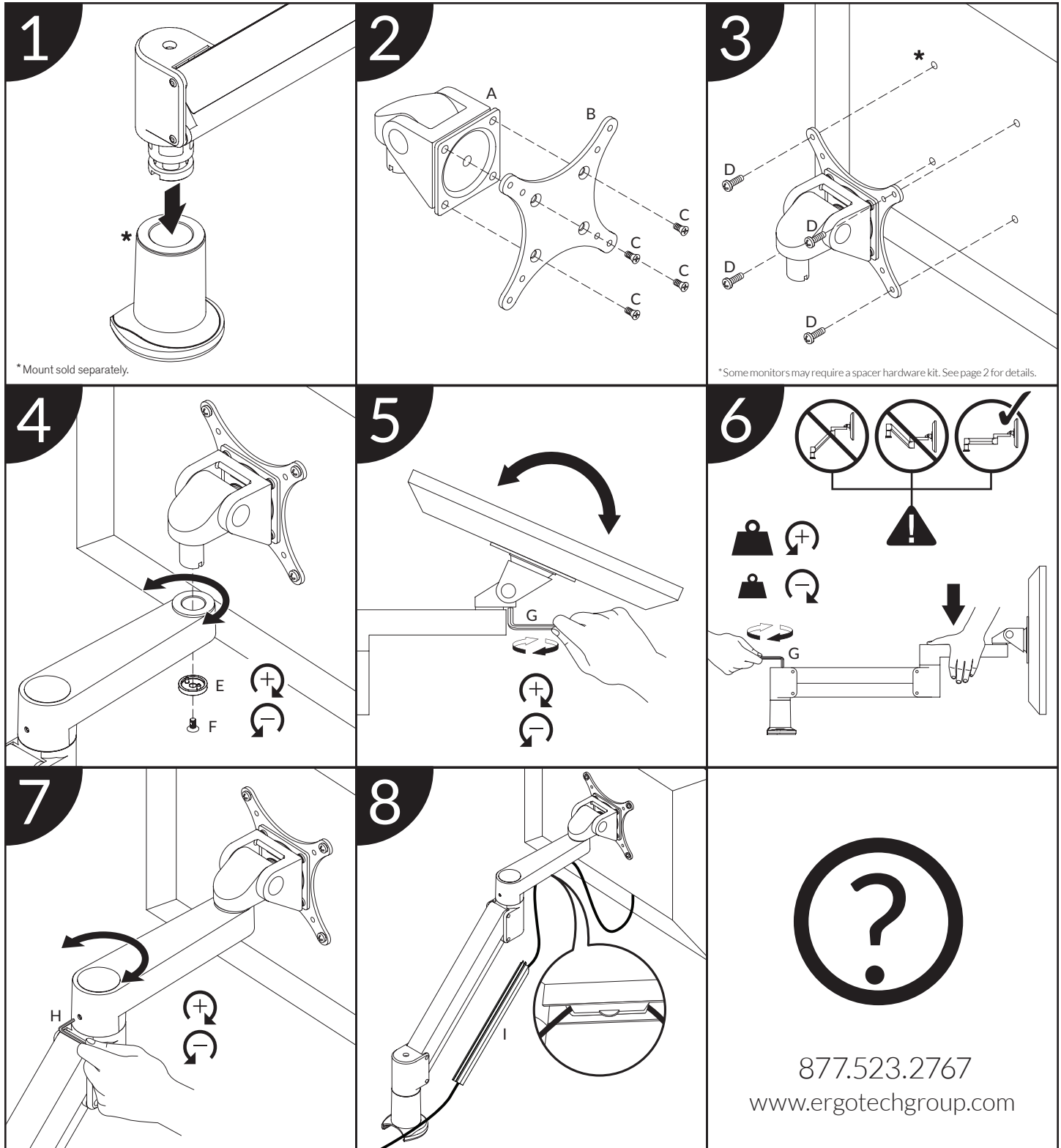


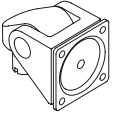
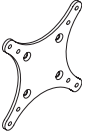

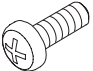
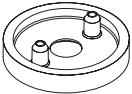
7FLEX® DUAL


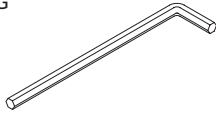

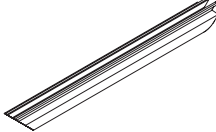
Installation Instructions



7FLEX® DUAL

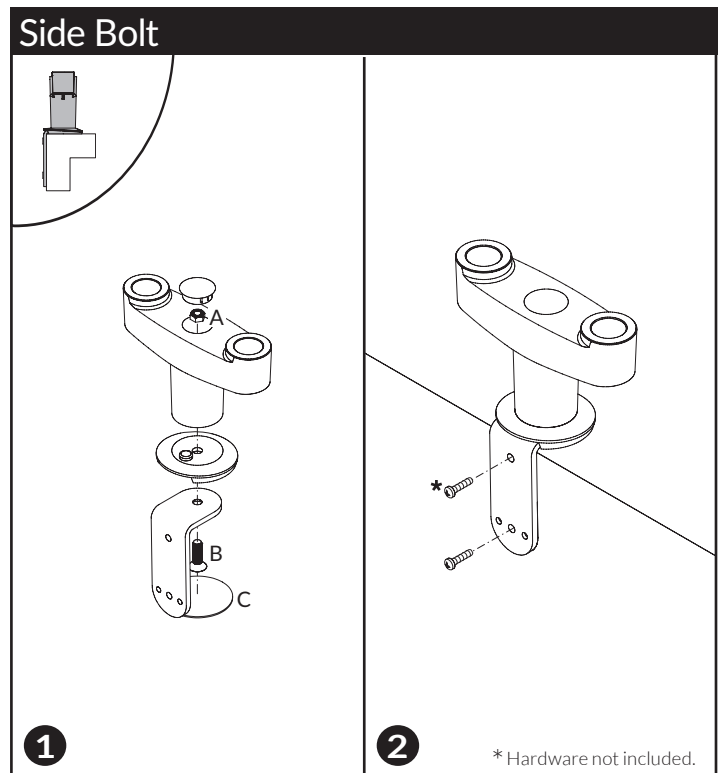
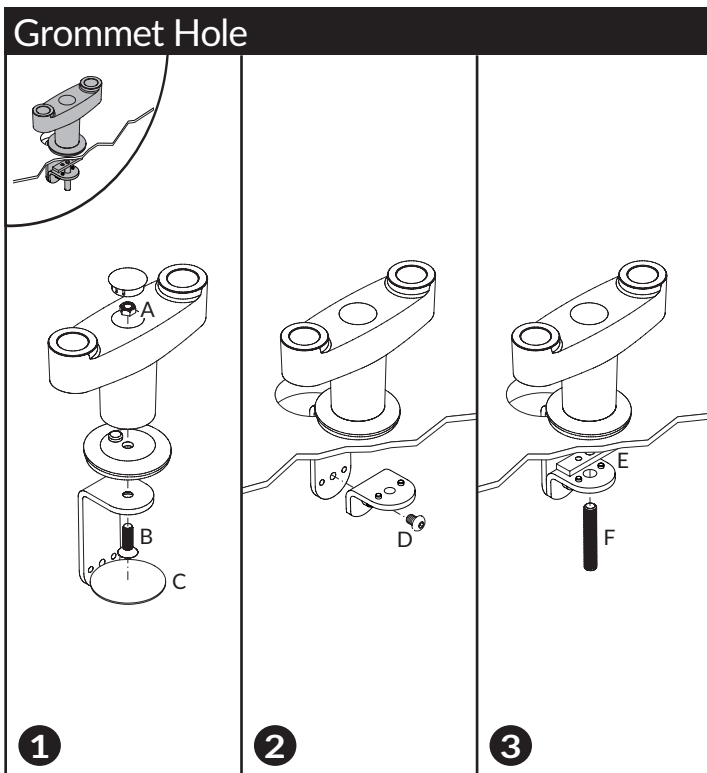
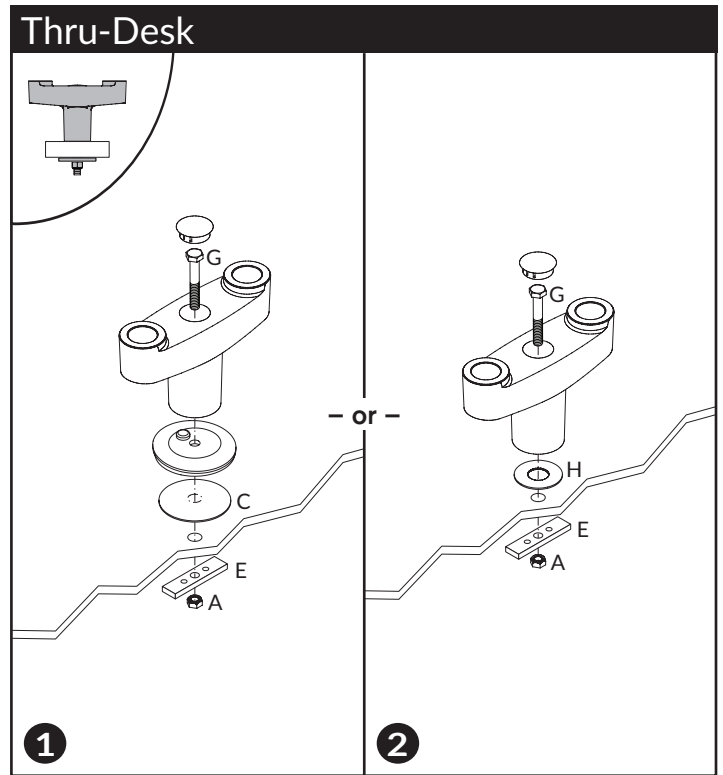
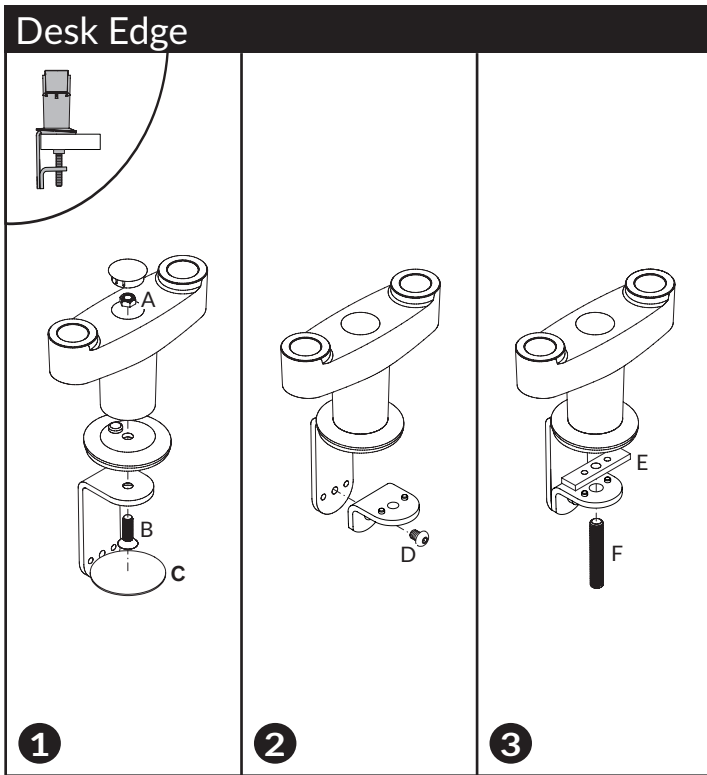
Installation Part List

ITEM	DESCRIPTION / PART NO.	QUANTITY
A	 Monitor Tilter 405397	2
B	 75/100mm VESA® Adapter Plate 105587	2
C	 10-32 x 3/8" Phillips Pan Head Screw 702281	2 (4-pack)
D	 M4 x 12mm Phillips Pan Head Screw 702096	2 (4-pack)
E	 Dog Washer 105189	2

ITEM	DESCRIPTION / PART NO.	QUANTITY
F	 10-32 x 3/8" FPhMS w/Lock Patch 705198	2
G	 7/32" Allen Wrench 701127	1
H	 3/32" Allen Wrench 700146	1
I	 Cable Cap 102043-9.5	2

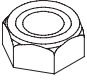
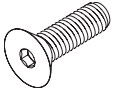

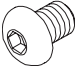
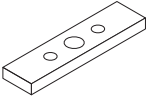
7FLEX® DUAL

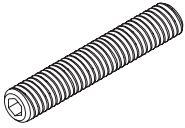
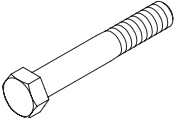
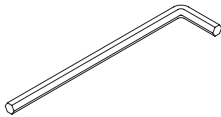
Mounting Instructions



7FLEX® DUAL

Mounting Part List

ITEM	DESCRIPTION / PART NO.	QUANTITY
A	3/8-16 Nylon Stop Nut 701418	1
		
B	3/8-16 x 1-1/4" Flat Socket Cap Screw 701855	1
		
C	Foam Pad 701565	1
		
D	3/8-16 x 1/2" BHSCS 702898	1
		
E	Rectangular Spacer 701544	1
		

ITEM	DESCRIPTION / PART NO.	QUANTITY
F	1/2-13 x 3" Socket Set Screw 701126	1
		
G	3/8-16 x 2-1/2" Hex Head Bolt 700268	1
		
H	Foam Pad 701120	1
		
I	7/32" Allen Wrench 701127	1
		

How do I counterbalance my arm?

1

IMPORTANT!

- Monitor must be on arm
- Arm must be in mount

Press the arm down to approximately parallel with the desk prior to turning the strength adjustment screw.

If the arm drifts upward, turn the adjustment screw clockwise.

If the arm drifts downward, turn the adjustment screw counter-clockwise.

Depending on the weight of your monitor, you may have to make 15-20 turns.

7/32" Allen Wrench

2

In some instances, further counterbalance adjustments are needed to allow the arm's instant height adjustment function to work properly.

If your arm is not staying in position after performing step 1, follow these steps:

With arm in raised position, tighten set screw (A).

With arm in horizontal position, tighten set screw (B).

Do not over tighten screws.

3/32" Allen Wrench