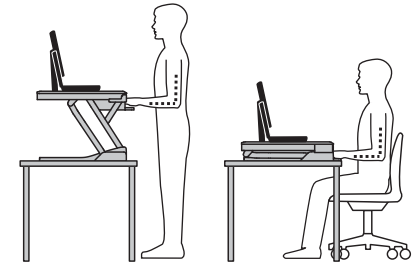
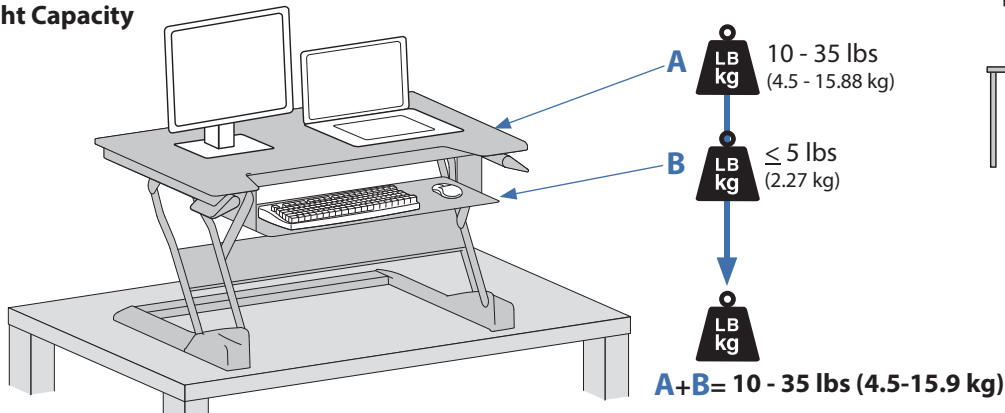
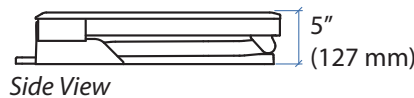
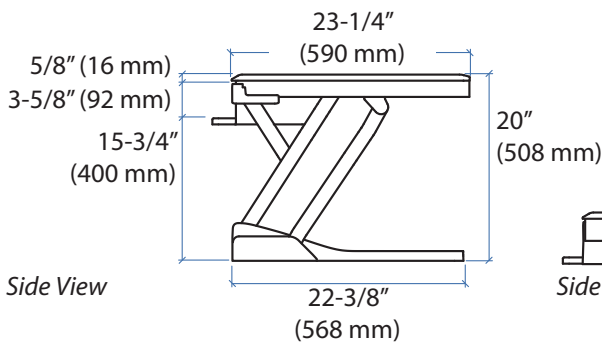
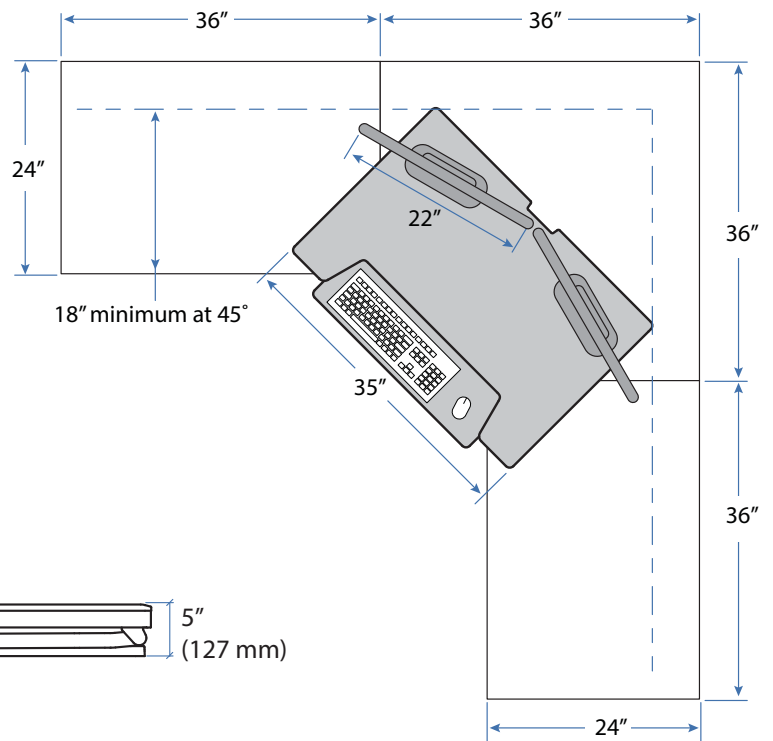
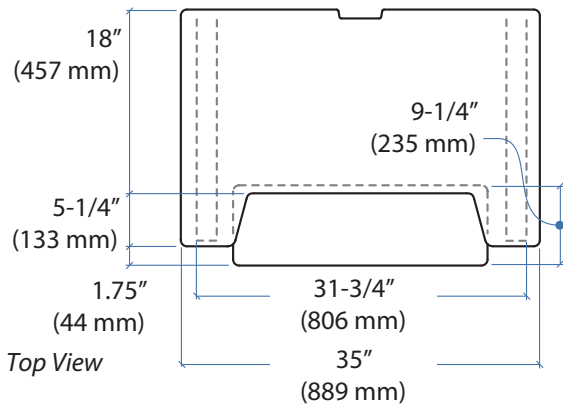
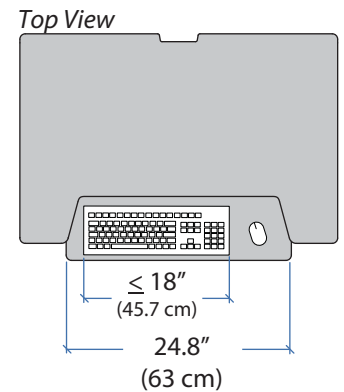
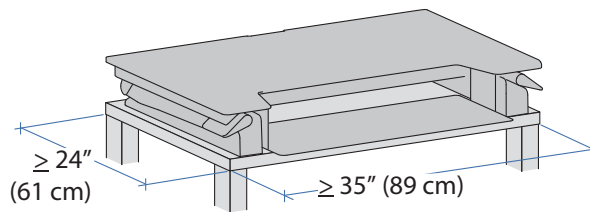
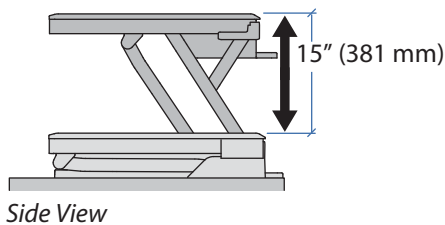


WorkFit-T, Sit-Stand Desktop Workstation

Weight Capacity



Dimensions



Shown on a 90° corner work surface.
Top View

© 2014 Ergotron, Inc. rev. 12/08/16 DIM-WFT Content is subject to change without notification

Americas Sales and Corporate Headquarters

St. Paul, MN USA
(800) 888-8458
+1-651-681-7600
www.ergotron.com
sales@ergotron.com

EMEA Sales

Amersfoort, The Netherlands
+31 33 45 45 600
www.ergotron.com
info.eu@ergotron.com

APAC Sales

Tokyo, Japan
www.ergotron.com
apaccustomerservice@ergotron.com

Worldwide OEM Sales

www.ergotron.com
info.oem@ergotron.com