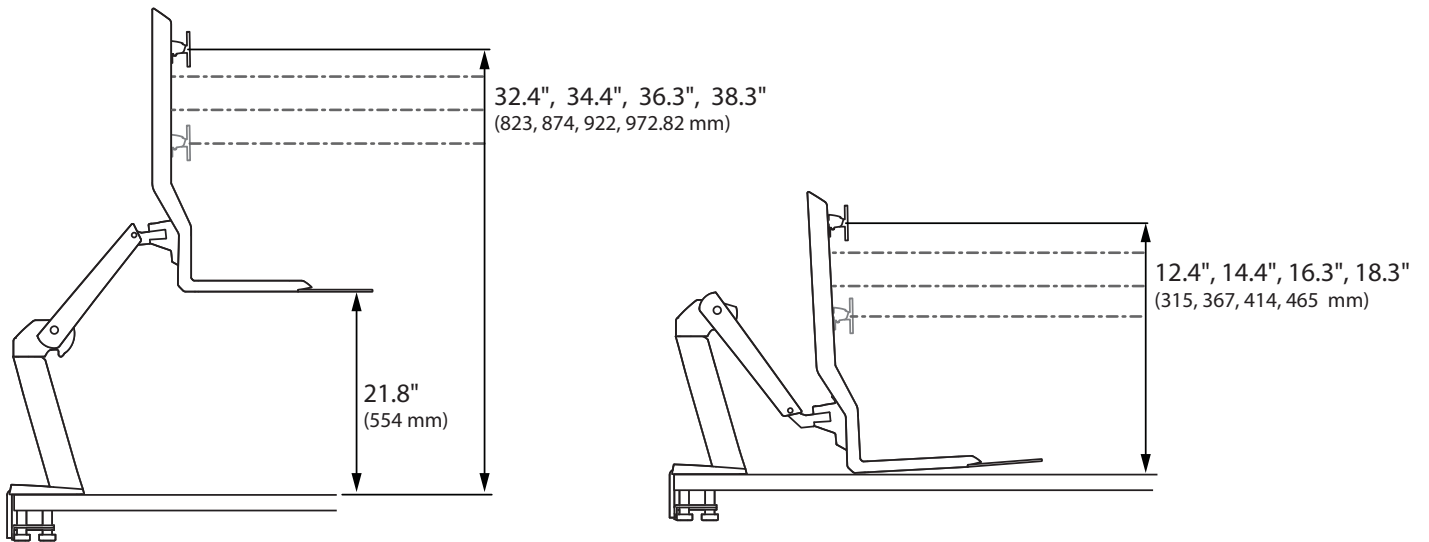


Dimensions



© 2012 Ergotron, Inc. rev. 12/18/2018 DIM-WFADual **Content is subject to change without notification**

Americas Sales and Corporate Headquarters

St. Paul, MN USA
 (800) 888-8458
 +1-651-681-7600
www.ergotron.com
sales@ergotron.com

EMEA Sales

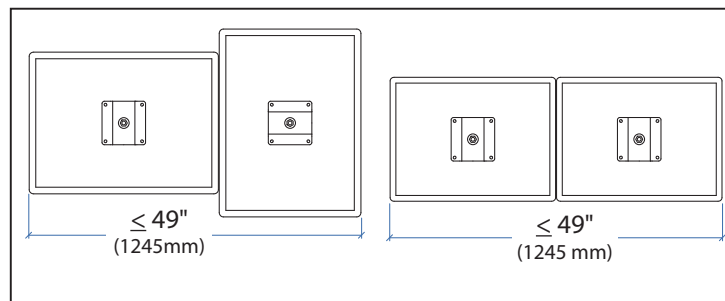
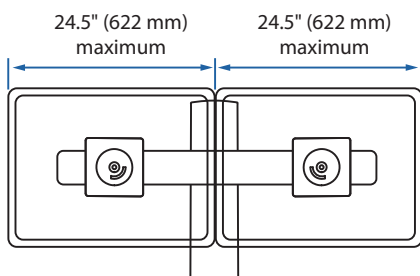
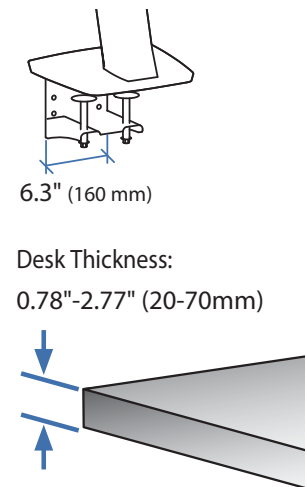
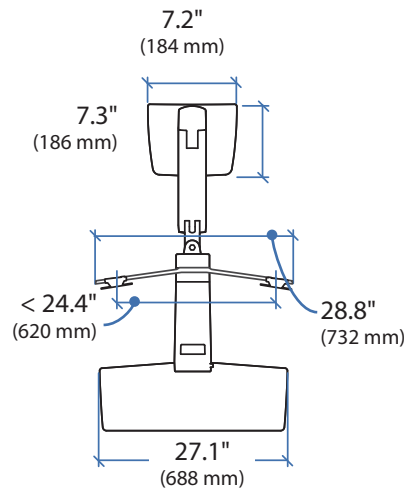
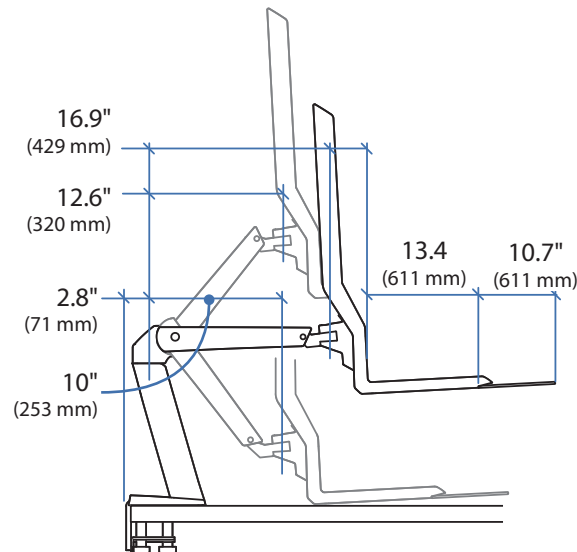
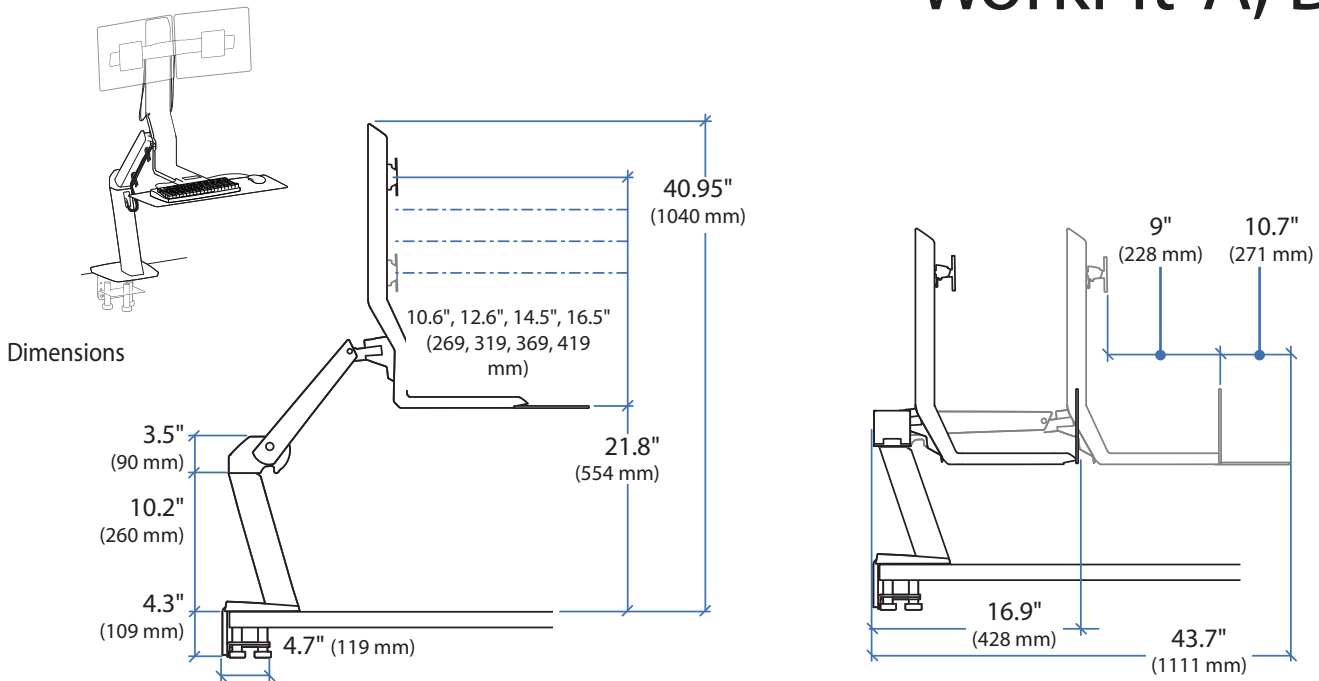
Amersfoort, The Netherlands
 +31 33 45 45 600
www.ergotron.com
info.eu@ergotron.com

APAC Sales

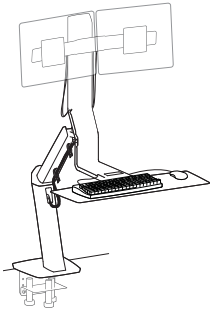
Tokyo, Japan
www.ergotron.com
japansupport@ergotron.com

Worldwide OEM Sales

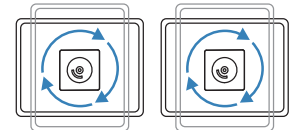
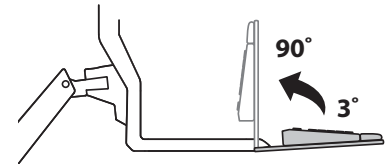
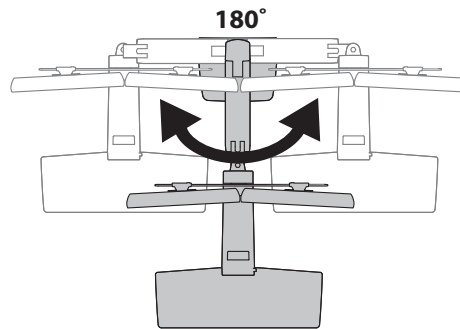
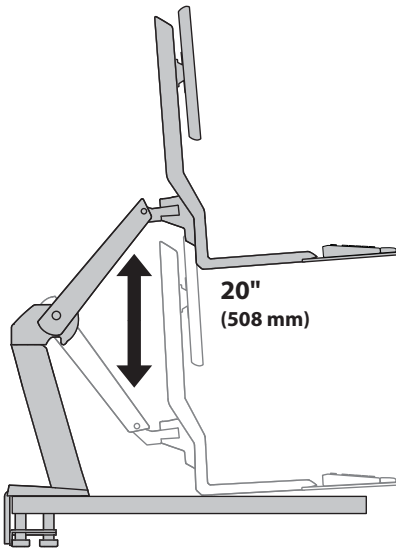
www.ergotron.com
info.oem@ergotron.com



*Attention: Listed allowable widths assume monitor thickness is 2" (51 mm). If monitor thickness is less, allowable width may be more. Contact Ergotron for details.

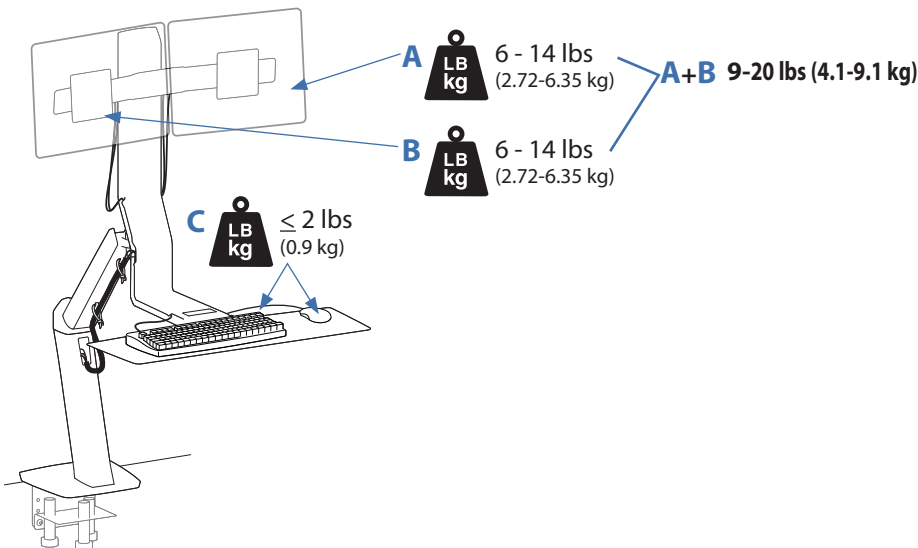


Range of Motion



Portrait/Landscape rotation stop screw can be installed for 0° rotation.

Weight Capacity:



© 2012 Ergotron, Inc. rev. 12/18/2018 DIM-WFADual Content is subject to change without notification

Americas Sales and Corporate Headquarters

St. Paul, MN USA
(800) 888-8458
+1-651-681-7600
www.ergotron.com
sales@ergotron.com

EMEA Sales

Amersfoort, The Netherlands
+31 33 45 45 600
www.ergotron.com
info.eu@ergotron.com

APAC Sales

Tokyo, Japan
www.ergotron.com
japansupport@ergotron.com

Worldwide OEM Sales

www.ergotron.com
info.oem@ergotron.com