



**GLOBALTM
INDUSTRIAL**

We can supply that.[®]

User's manual

Manual del usuario

Manuel de l'utilisateur

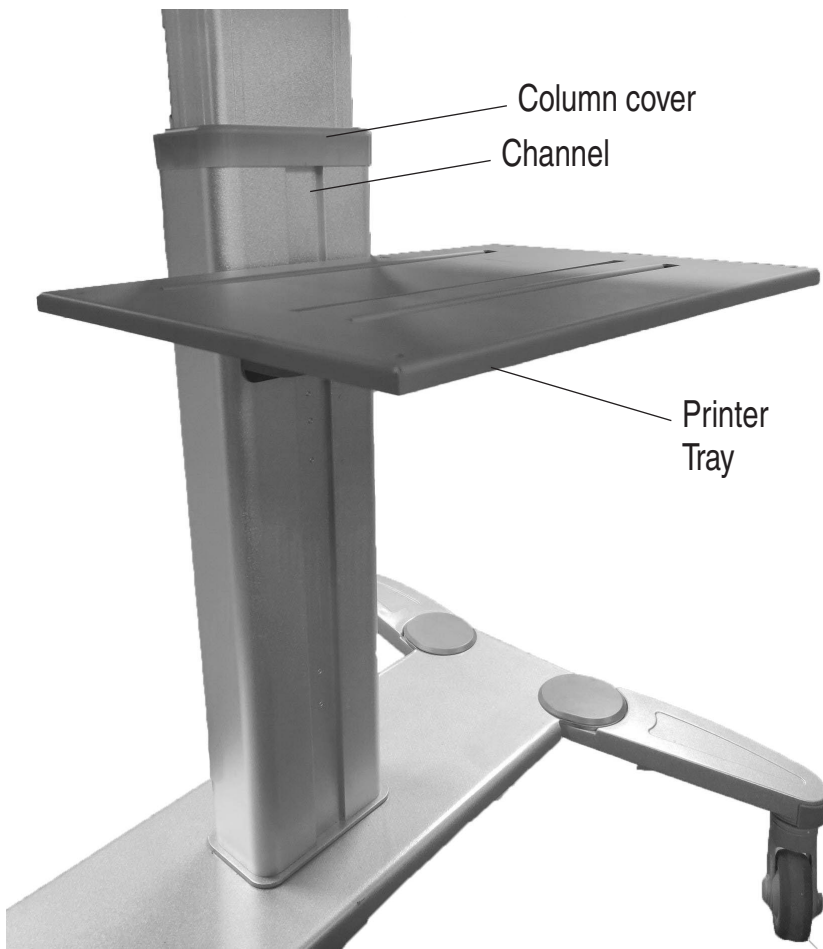
Customer Service
US: 1-800-645-2986

Servicio de atención al Cliente
US: 1-800-645-2986

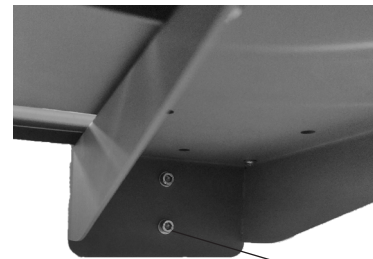
Service à la clientèle
Canada: 888-645-2986

Printer Tray for Sit and Stand Mobile Desk

Model(s): 436969



Printer tray is only compatible with Sit-Stand Mobile Desk (**436968**)



Allen Bolts

Assembly Instructions:

1. Loosen allen bolts on the bottom of the tray just enough so that there is a small gap between the plates.
2. Lift column cover up and slide printer tray into channel.
3. Determine printer tray height and tighten allen bolts tightly.

Printer Tray Dimensions

Length: 15.35"

Width: 10.23"



Warning:

- Ensure manual is read and understood prior to assembly.
- Verify all parts are included. Do not install if hardware is damaged or missing.



Warning:

- DO NOT use printer tray as shelf.
- Ensure allen keys are tightly fastened to keep printer tray from moving.