



GLOBAL INDUSTRIAL™

We can supply that.®

User's manual

Manual del usuario

Manuel de l'utilisateur

Customer Service
US: 1-800-645-2986

Servicio de atención al Cliente
US: 1-800-645-2986

Service à la clientèle
Canada: 888-645-2986

Sit and Stand Mobile Desk with Tablet Slot, Gray and Silver

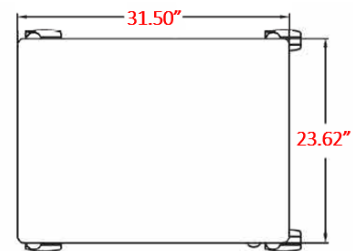
Model(s): 436968



CONTENTS

REF.	QTY.	DESCRIPTION	REF.	QTY.	DESCRIPTION
Metal Base (1)	1		Round Head Hex Screw M6 x 15mm (7)	8	
Pedal Locking Casters (2)	2		Flat head Screws M5 x 15mm (8)	12	
Non-Pedal Locking Casters (3)	2		Allen Wrench M5 (9)	1	
Lifting Column (4)	1		Allen Wrench M4 (10)	1	
Desktop (5)	1		Cable Clip (11)	4	
Rubber Covers (6)	4				

Cart Loading Capacity	39 lbs/18kg
Cart Static Effective Bearing	118 lbs / 54 kg
Desktop Manual	E0 Class



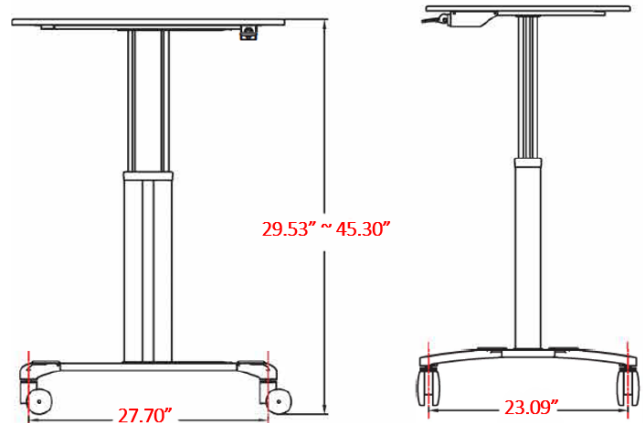
Warning:

- Ensure manual is read and understood prior to assembly.
- Severe injury and item damage can occur from improper assembly.
- Verify all parts are included. Do not install if hardware is damaged or missing.



Warning:

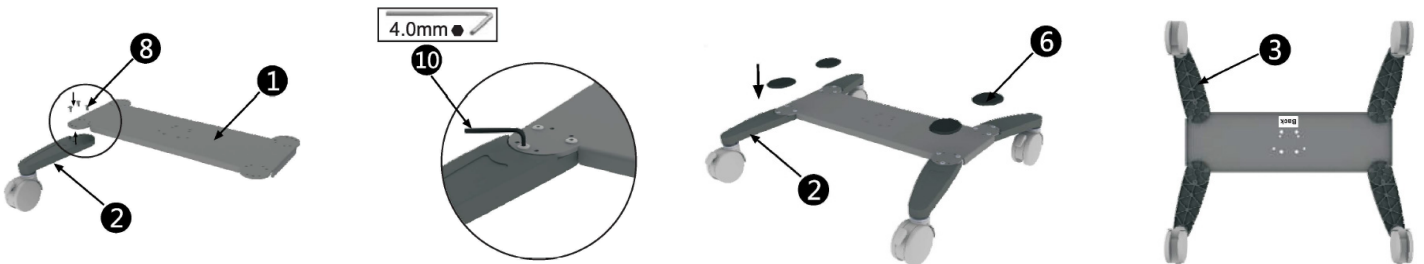
- DO NOT load desktop above maximum weight capacity.
- Ensure locking casters are activated



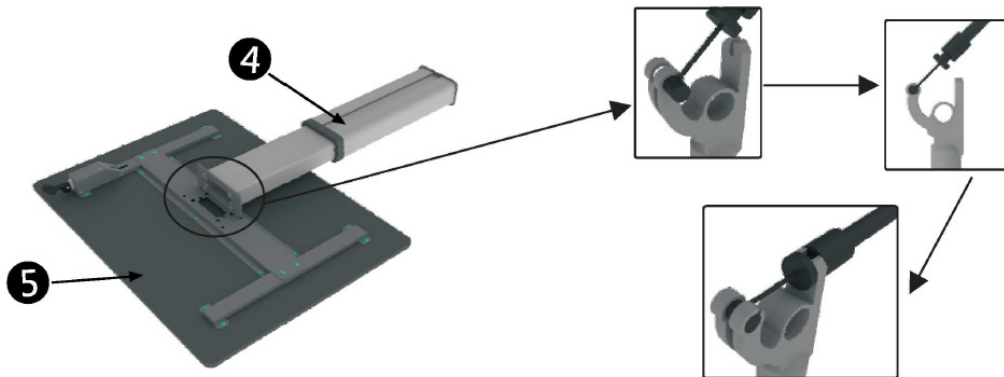
Product Description

Installation

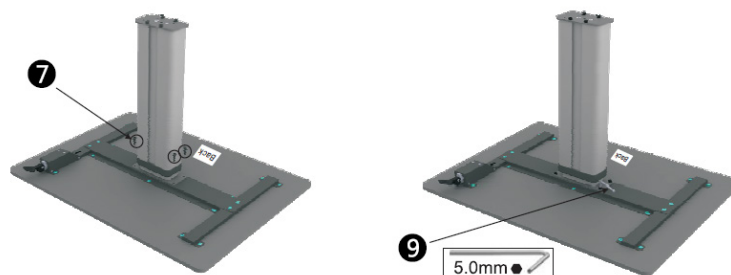
1. Using an M4 allen wrench, attach both sets of caster wheels (locking and non-locking) to the metal base. Ensure that the non-locking casters are installed on the "back" side of the base. Place rubber covers onto each leg.



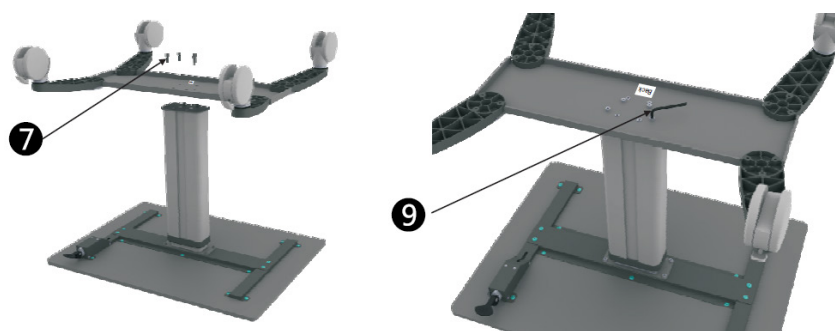
2. Attach column to desktop. Ensure that column "back" label and desktop "back" label are on the same side. Connect bowden cable to latch as shown.



3. Using an M5 allen wrench, connect column to desktop.

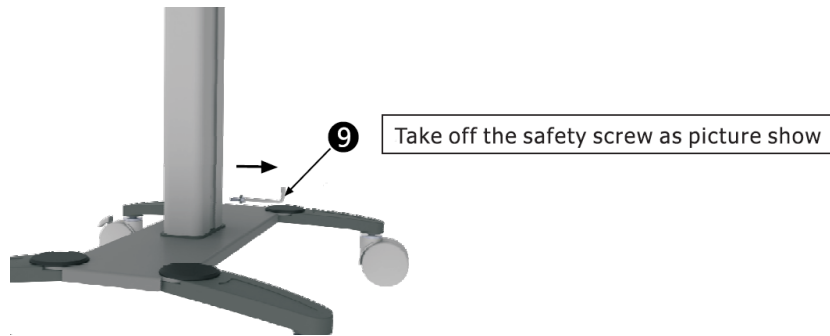


4. Using an M5 allen wrench, connect the metal base to the column.



Product Description

5. Using an M5 allen wrench, remove safety screw that is connected to the column. DO NOT adjust table height without removing the safety screw first.



Features:

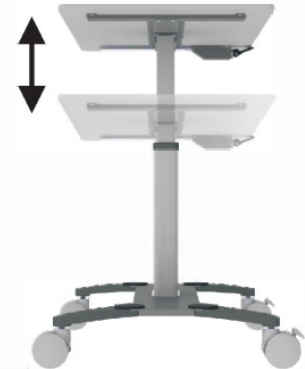
Always lock casters when using desk in a stationary position.



Switch lever on (up) to adjust the desk height.



Switch lever off (down) to lock height.



Insert cable clips into column to hide and secure cables.

