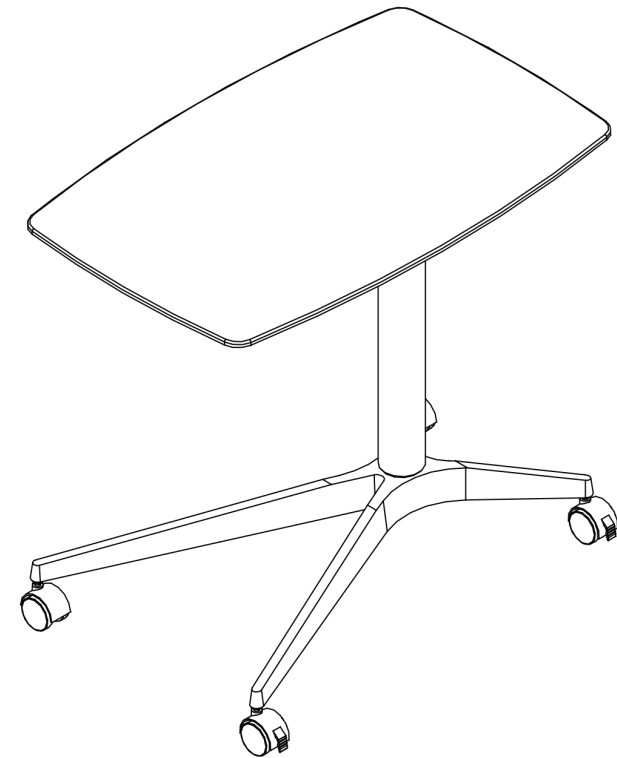


seville classics®

AIRLIFT® Overbed Medical Pneumatic Adjustable Table



Model: OFF65905

Thank you for choosing Seville Classics! We hope that you enjoy your new sit-stand desk. Please read through this user guide for parts list, assembly instructions, frequently asked questions and contact information.

Customer Service Information

Telephone: (800) 323-5565


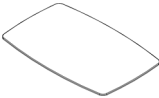
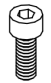
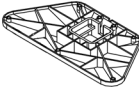


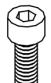










Fax: (310) 533-3899

Hours: 8:30 AM – 4:30 PM (PST)

Email: Support@SevilleClassics.com

Homepage: www.SevilleClassics.com

Parts List

A. M6x12 bolts (3) (for Airlift lever)		L. Top (1)	
B. M6x15 bolts (3) (for Base)		M. Top Mount (1)	
C. M6x20 bolts (7) (for Top Mount)		N. AIRLIFT Lever (1)	
D. M8x15 bolts (4)		O. Cylinder (1)	
E. Tooth washers (3)		P. Base (1)	
F. Split washers (4)		Q. Casters (2)	
G. Washers (4)		R. Locking Casters (2)	
H. 6mm hex key (1)			
J. 5mm hex key (1)			
K. Wrench (1)			

Please make sure you have all the parts on this list.

If you're missing parts, contact us for replacements at (800) 323-5565 or send an email to Support@SevilleClassics.com

Use Instructions

1. Roll desk into desired position.
2. Lock casters to prevent the table from rolling.
3. To lift, pull up on the Airlift lever.
4. To lower, pull up on the adjustment lever while pressing down on the table top.
5. Release adjustment lever to lock-in table height.

FAQs

Q. Can I use it without the wheels?

A. No. The base is not flat and will wobble without wheels.

Q. How high and how low can my desk go?

A. Maximum height is 37.2. Minimum height is 24.4 inches.

Q. Why won't my desk adjust its height?

A. The adjustment wire may not be clipped into the AIRLIFT lever correctly. Reference the diagram in STEP 3 for an example.

Q. Why is my desk adjusting slowly?

A. Desk may adjust slowly after being unused for a time. To fix this, pull up on the adjustment lever and lightly "pump" the desk top up and down. The desk should now rise smoothly.

Safety

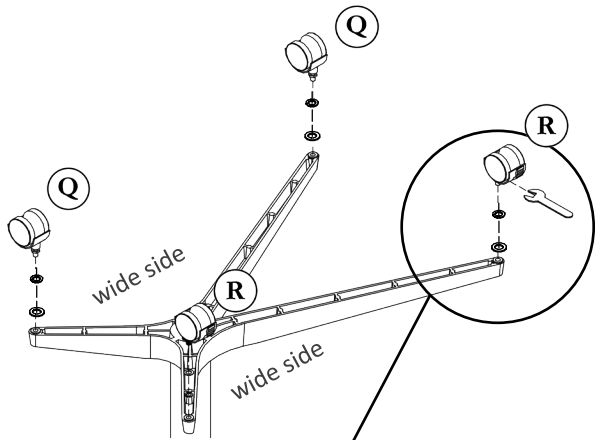
Do not tip the desk over or place upside down.
Do not place more than 33 lbs. on the desk top.

Specifications

Dimensions: 30" x 19" (24.4" to 37.2")

Weight capacity: 33 lbs.

Weight: 24.4 lbs.

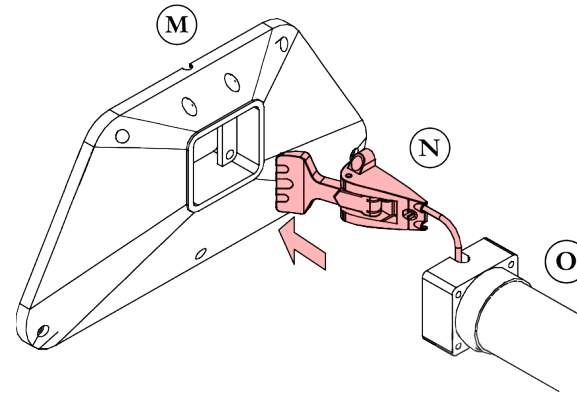
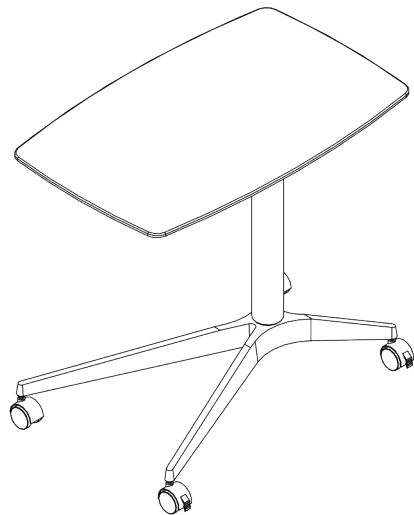


STEP 6.
Install **CASTERS (Q)** to wide side of the **BASE (P)** through **WASHER (G)** and **SPLIT WASHER (F)**.

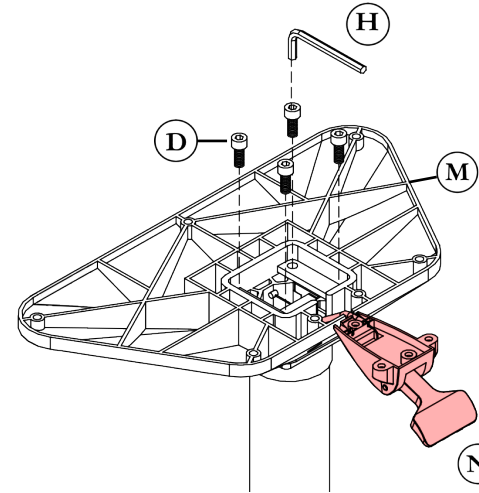
Tighten with **wrench (K)**.

Repeat on other side for **LOCKING CASTERS (R)**.

STEP 7.
Congratulations!
Enjoy your new overbed adjustable table!

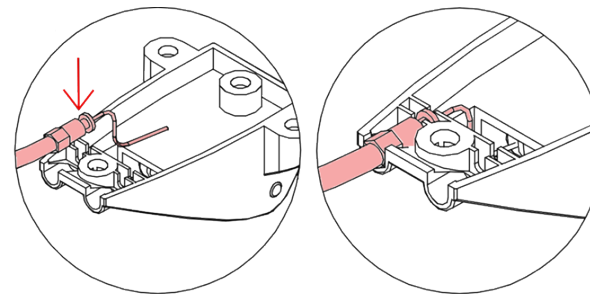


STEP 1.
Pull **AIRLIFT LEVER (N)** on **CYLINDER (O)** through hole in **TOP MOUNT (M)**.



STEP 2.
Attach **TOP MOUNT (M)** to **CYLINDER (O)** with **M8x15 BOLTS (D)** and **6mm hex key (H)**.

Fit **AIRLIFT LEVER (N)** wire into clips on **TOP MOUNT (M)**.

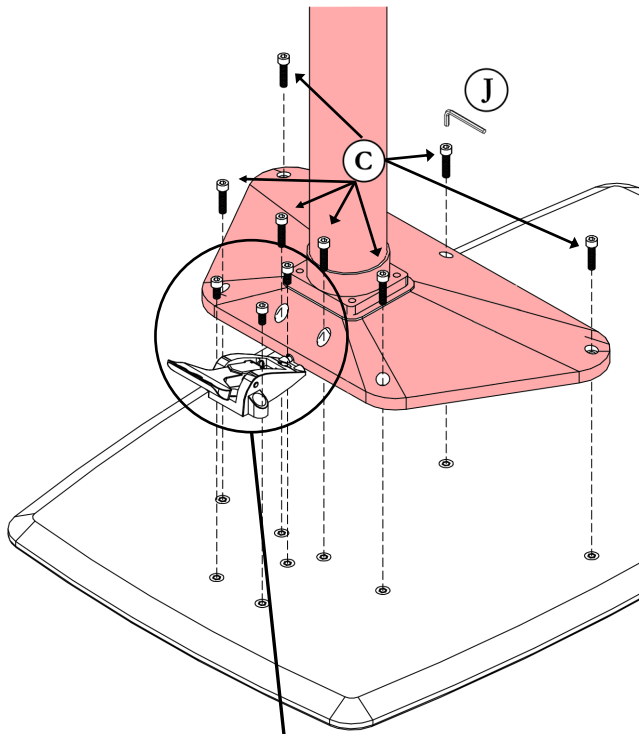


Before

After

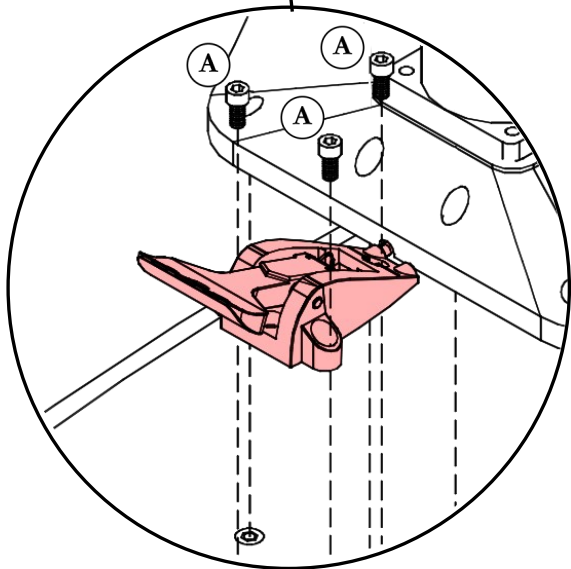
Press cable firmly into the bracket on the back of **AIRLIFT LEVER (N)**.

IMPORTANT: Lever will not work and height will not adjust if wire is not clipped in correctly.

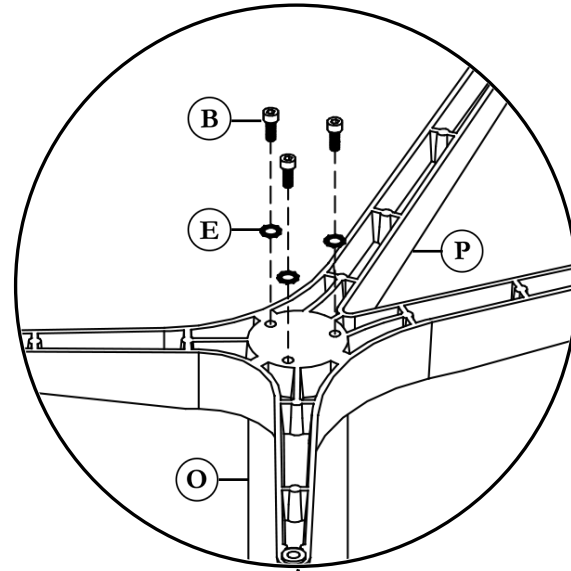


STEP 3.
Align mounting holes on **TOP MOUNT (M)** with holes on back of **TOP (L)**.

Attach to **TOP (L)** with **M6x20 BOLTS (C)** using **5mm hex key (J)**.



STEP 4.
Attach **AIRLIFT LEVER (N)** with **M6x12 BOLTS (A)** using **5mm hex key (J)**.



STEP 5.
Fit **BASE (P)** onto **CYLINDER (O)**.

Attach **BASE (P)** with **M6x15 BOLTS (B)** through **TOOTH WASHERS (E)** with **5mm hex key (J)**.

