



**ELEVATE
YOUR
STANDARDS[®]**

SaferGate[™] Pedestrian Crossing Gate

**Safe, convenient access to
equipment.**

The durable Wildeck SaferGate[™] Pedestrian Crossing Gate is a safe and convenient way to access areas protected by guard rail in your facility.

This high-performance, self-closing swing gate installs in minutes on new or existing Wilgard[®] guard rail columns, and is the ideal way to:

- ▶ **Reduce accident potential**
- ▶ **Channel pedestrian traffic to a specific location**
- ▶ **Provide convenient access to protected areas**



GUARDING

SAFERGATE[™]

GENERAL SPECIFICATIONS

FEATURES AND BENEFITS:

Wildeck's high-performance SaferGate™ Pedestrian Crossing Gate is a convenient way to reduce accident potential in your facility by channeling pedestrians to specific areas.

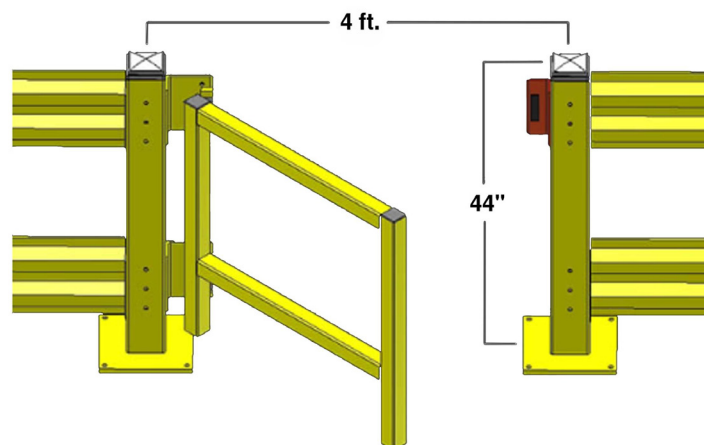
The SaferGate™ is designed for easy field retrofit and maximum durability and reliability. The gate is painted safety yellow for high visibility with a tough polyurethane finish that can withstand a high volume of traffic.

SPECIFICATIONS:

- ▶ Self-closing, spring-loaded hinges, tested to withstand over 100,000 cycles.
- ▶ Installs in minutes, and replaces a 4' section of Wilgard® guard rail without modification to existing columns.
- ▶ Bright yellow polyurethane finish stands up to daily use.
- ▶ Creates 34-5/8" clear opening for pedestrian or cart traffic.
- ▶ Gates open out into the aisle, and include a safety latch for personnel.
- ▶ All gate hardware is included.



Assembled Gate



**ELEVATE
YOUR
STANDARDS®**

P.O. Box 89 • 405 Commerce Street
Waukesha, WI USA 53186
262-549-4000 • 800-325-6939
FAX 262-549-3466 • info@wildeck.com
www.wildeck.com