

User's manual

Manual del usuario

Manuel de l'utilisateur

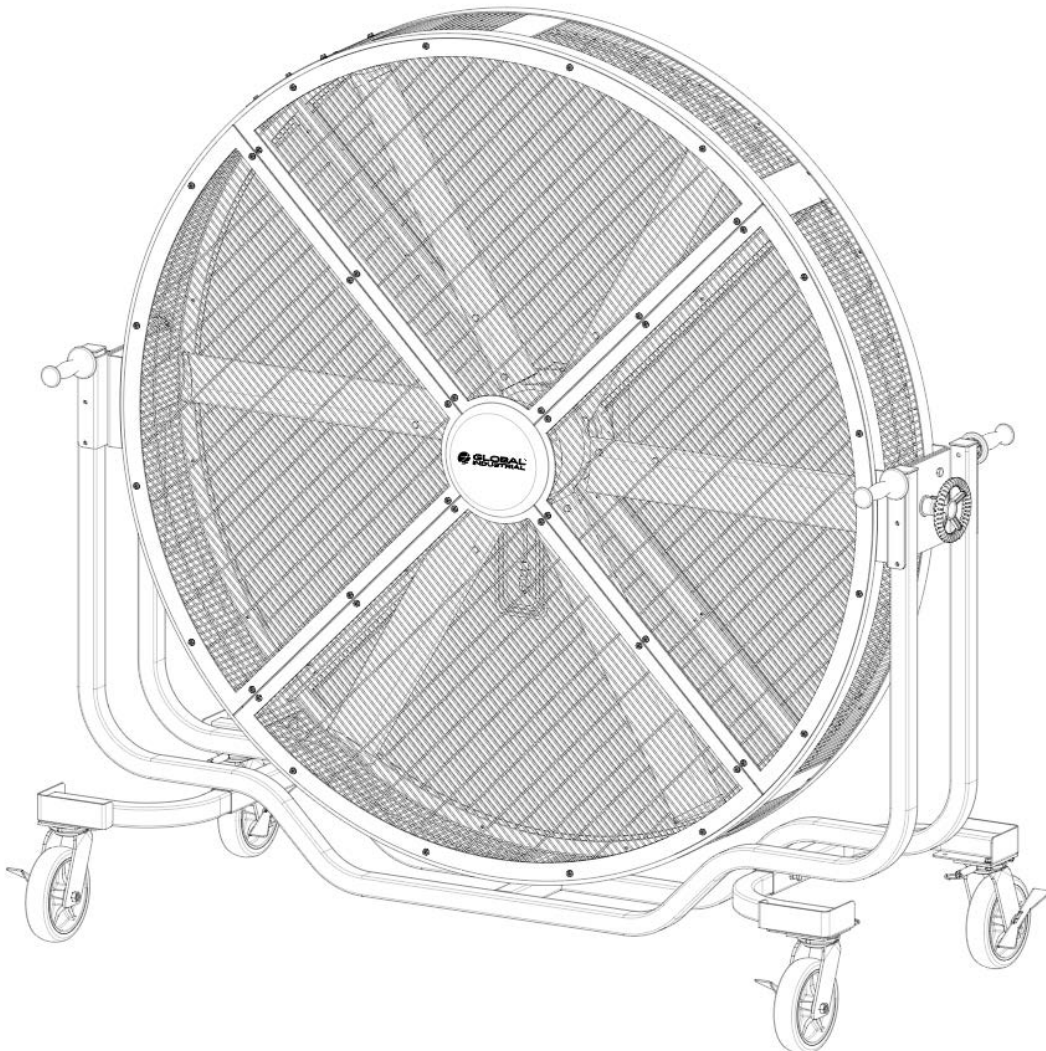
Customer Service
US: 1-800-645-2986

Servicio de atención al Cliente
US: 1-800-645-2986

Service à la clientèle
Canada: 888-645-2986

Large 6' Mobile Industrial Cooling 6' and 8' Fan

Models: 604140, 604141



PLEASE READ AND SAVE THESE INSTRUCTIONS

Mobile 6' and 8' Fan

1 General Safety Information



CAUTION

Please read and save these instructions. Read carefully before attempting to assemble, install, operate or maintain the product described. Do not use the fan if any part is damaged or missing. Automatic reset safety device in motor. To reduce risk of injury disconnect power supply before servicing.

Protect yourself and others by observing all safety information. Failure to comply with instructions could result in personal injury and/or property damage!
Retain instructions for future reference.



WARNING

To reduce the risk of fire or electric shock, do not use this fan with any solid-state speed control device. This appliance has a grounded plug. To reduce the risk of fire or electric shock, this plug is intended to fit in an outlet only one way. If the plug does not fit into the outlet, contact a qualified electrician. Do not attempt to bypass this safety feature.

To Reduce The Risk Of Fire, Electric Shock Or Injury To Persons, Do Not Use Replacement Parts That Have Not Been Recommended By The Manufacturer (e.g. Parts Made At Home Using A 3D Printer).

NOTE: To comply with UL507, BLDC Mobile Fan not to be used in unattended areas.

1. Ensure that the power source conforms to the electrical requirements of the fan.
2. Where a two-prong wall receptacle is encountered, it must be replaced with a properly grounded three-prong receptacle installed in accordance with the United States National Electrical Code (NEC) and all applicable local codes and ordinances. This work must be done by a qualified electrician, using copper wire only.
3. Where possible, avoid the use of extension cords. If they must be used, minimize the risk of overheating by ensuring that they are UL Listed and of the proper gauge and length. Never use a single extension cord to operate more than one fan.
4. Do not kink the cord or allow it to contact oil, grease, chemicals, hot surfaces, or sharp or abrasive objects.
5. This fan is to be operated ONLY with its OSHA-compliant guards in place to prevent persons and/or objects from contacting the revolving propeller. Any other use voids warranty and may create unsafe conditions.
6. Fan is intended for general air circulation ONLY. It must NOT be used in potentially dangerous locations such as flammable, explosive, chemical-laden, or wet atmospheres. Do not attach ductwork to the fan.
7. Fan motor is equipped with an automatically resetting control circuit that will disconnect power if the motor overcurrent. Always unplug fan before removing guard, as motor may restart unexpectedly.
8. Do not operate any fan with a damaged cord or plug. Discard fan or return to an authorized service facility for examination and/or repair.
9. Do not run cord under carpeting. Do not cover cord with throw rugs, runners, or similar coverings. Do not route cord under furniture or appliances. Arrange cord away from traffic area and where it will not be tripped over.
10. Disconnect the fan when moving it from one location to another.
11. Make sure the fan is on a stable, flat surface while it is in operation.
12. Disconnect the fan when removing the guards for cleaning.
13. Do not use in Outdoors.

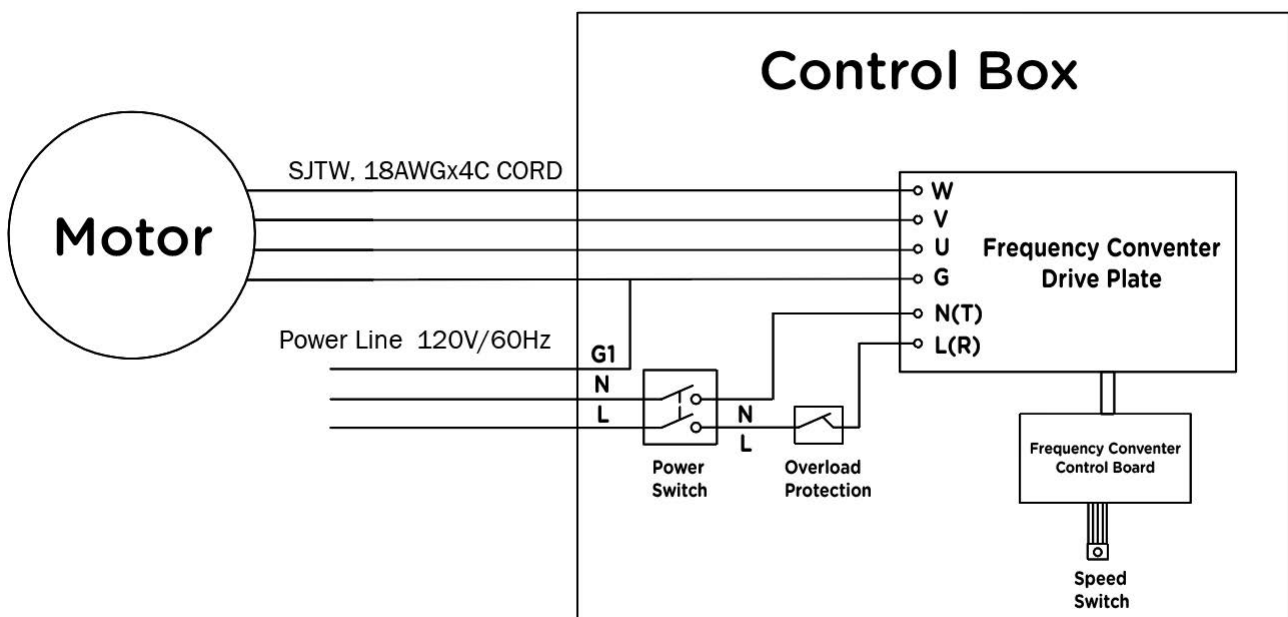


WARNING

1. Use of a three-prong to two-prong adapter is not recommended. Improper connection may create the risk of electrocution. Use of such adapters is prohibited in Canada.
2. Do not depend on any switch as the sole means of disconnecting power when installing or servicing the fan. Failure to do so may result in fatal electrical shock.
3. Do not insert fingers or foreign objects into the fan. Do not block or tamper with the fan in any manner while it is in operation.
4. Do not touch motor. May be hot enough to cause injury.
5. Unplug prior to servicing unit.
6. To reduce the risk of fire or electric shock, do not use this fan with any speed control device.

Mobile 6' and 8' Fan

2 Wire Diagram



CAUTION

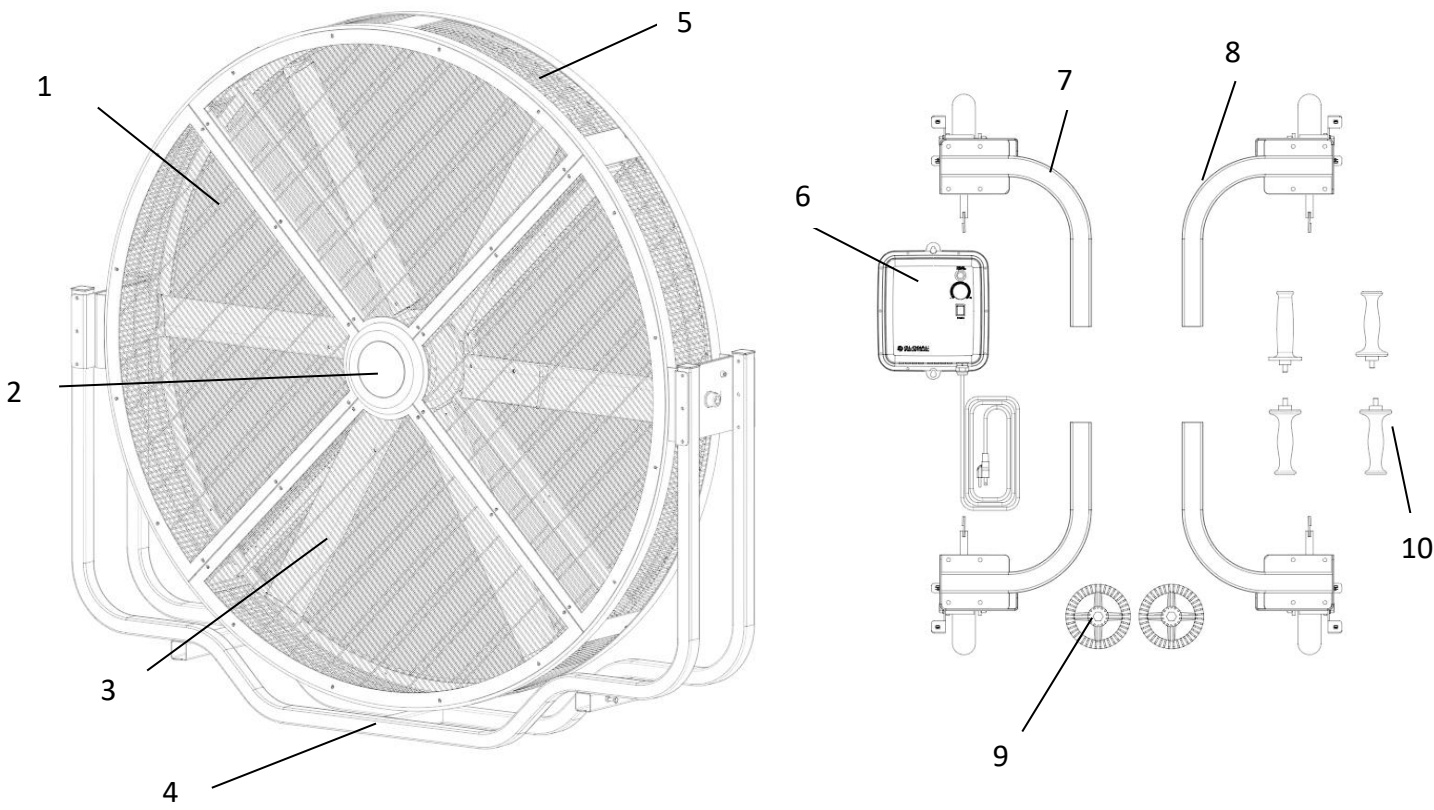
There is no user maintenance part inside control BOX or motor except regular cleaning as following description. All other servicing or maintenance should be performed by qualified service personnel.

3 Specifications

Model	604140	604141
Size(Feet)	6	8
Voltage (V)	120	120
Frequency (Hz)	60	60
AMPS (A)	6	7
Wattage (W)	450	580
Max Speed (RPM)	300	230
Net Weight (lbs)	397	507

Mobile 6' and 8' Fan

3 Parts Diagram



PART	QTY	DESCRIPTION	PART	QTY	DESCRIPTION
1	8	Grill	7	2	Caster assembly - L
2	1	Logo cover	8	2	Caster assembly - R
3	6	Fan blade	9	2	Tilt knob
4	1	Frame tubing	10	4	Handle
5	1	Side grill			
6	1	Control box			

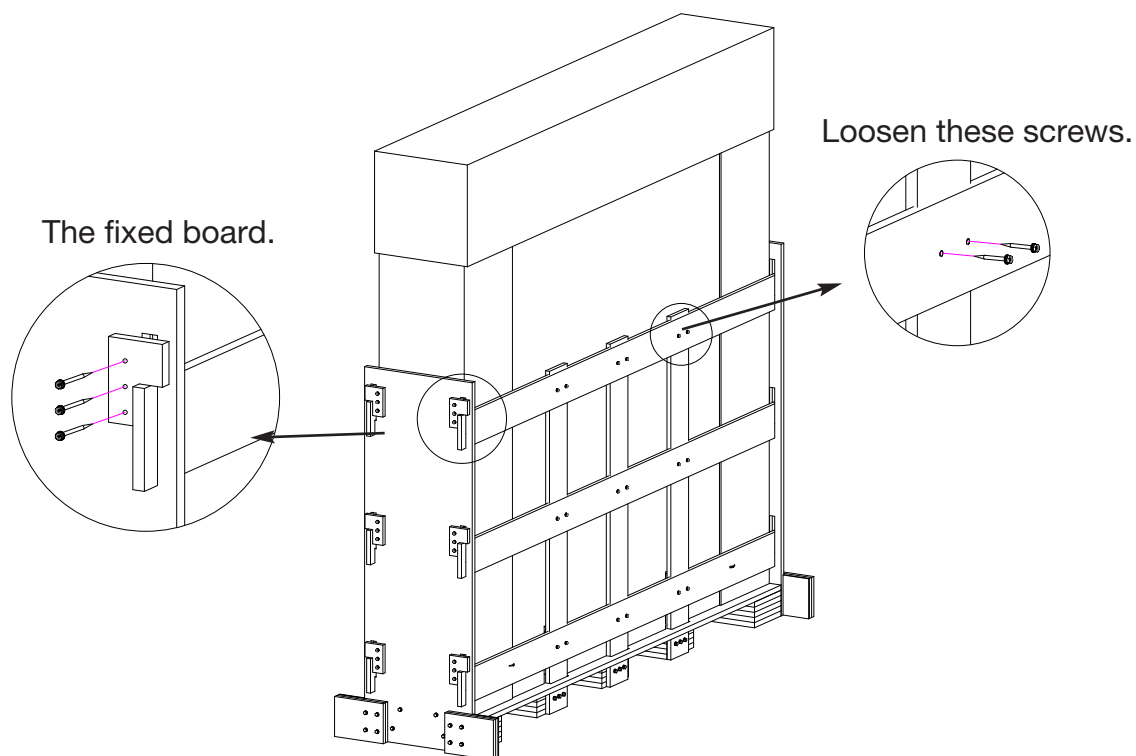
Note: The tilt handle (9), handles (10), caster assembly left (7) and right (8), and control box (6) need to be installed on the fan.

Mobile 6' and 8' Fan

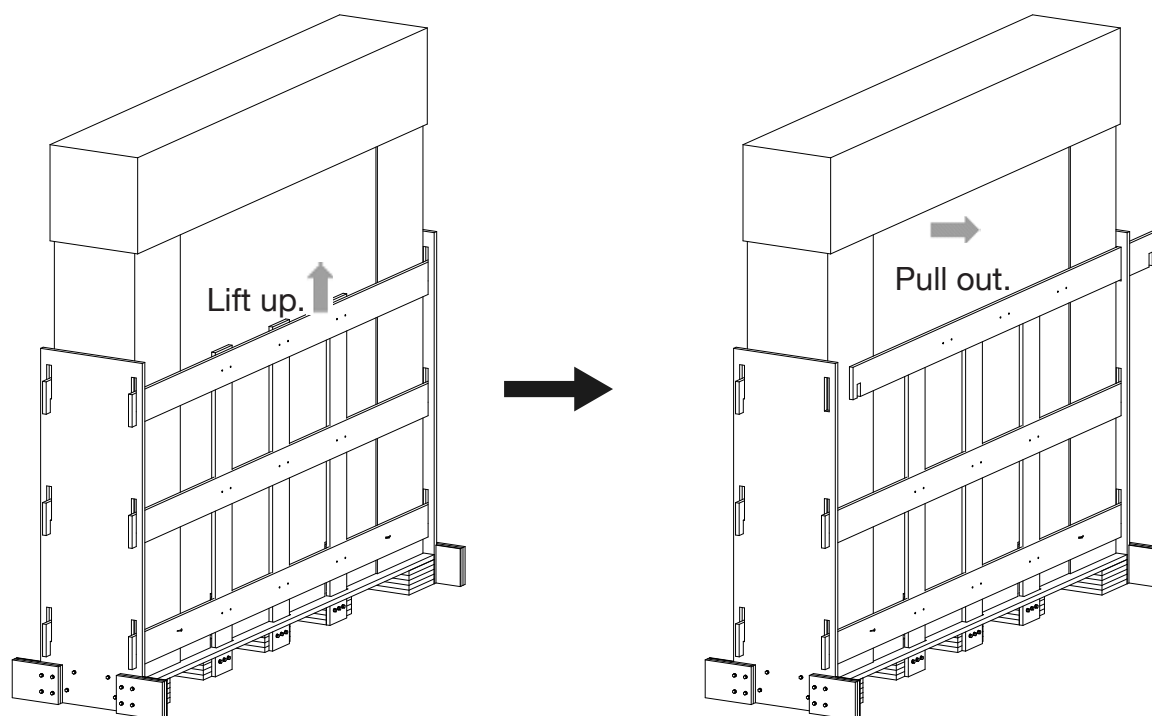
4 Unpacking & Installation Instructions

Unpacking

1. Loosen the screws from the horizontal fence and the fixed board on the left and right side. Take off all the fixed board.

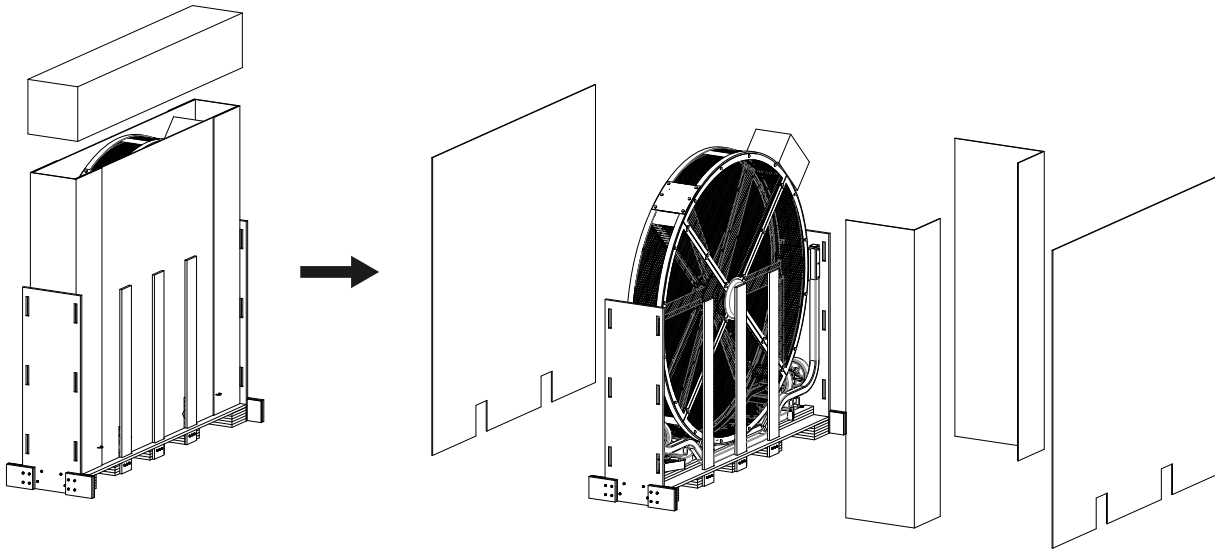


2. Lift up the horizontal fence, and pull it out slowly.

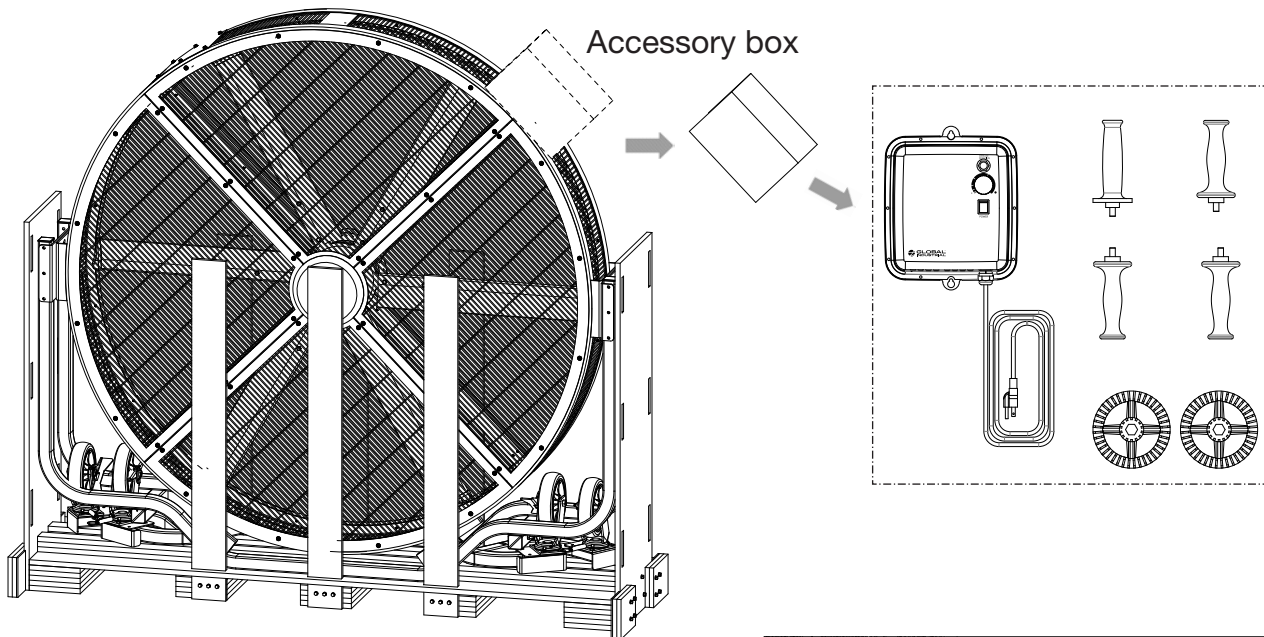


Mobile 6' and 8' Fan

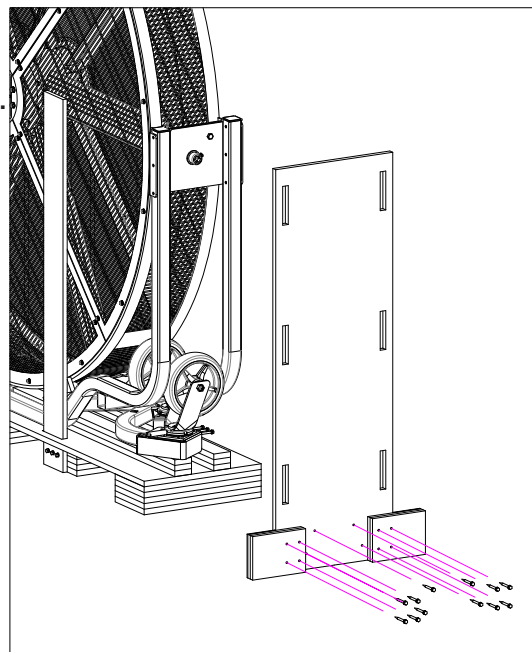
3. Remove the top cover carton, then remove the carton around the fan.



4. Take off the accessory box from the fan head carefully. It contains control box (6), tilt knobs (9) and handles (10).

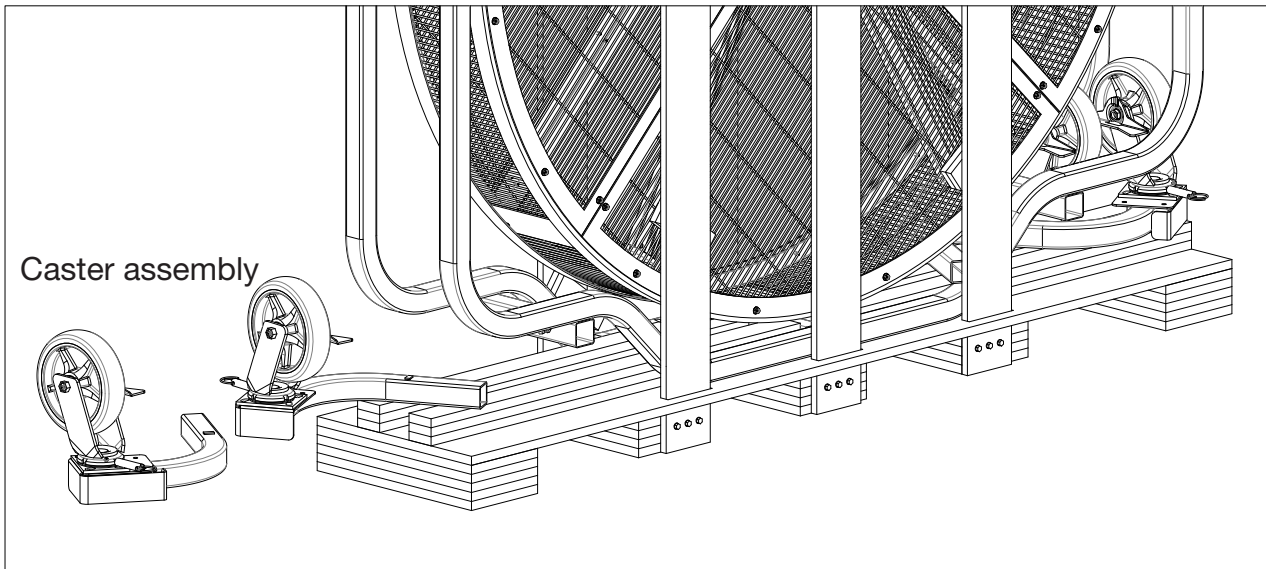


5. Loosen the screws and pull out the holding boards.

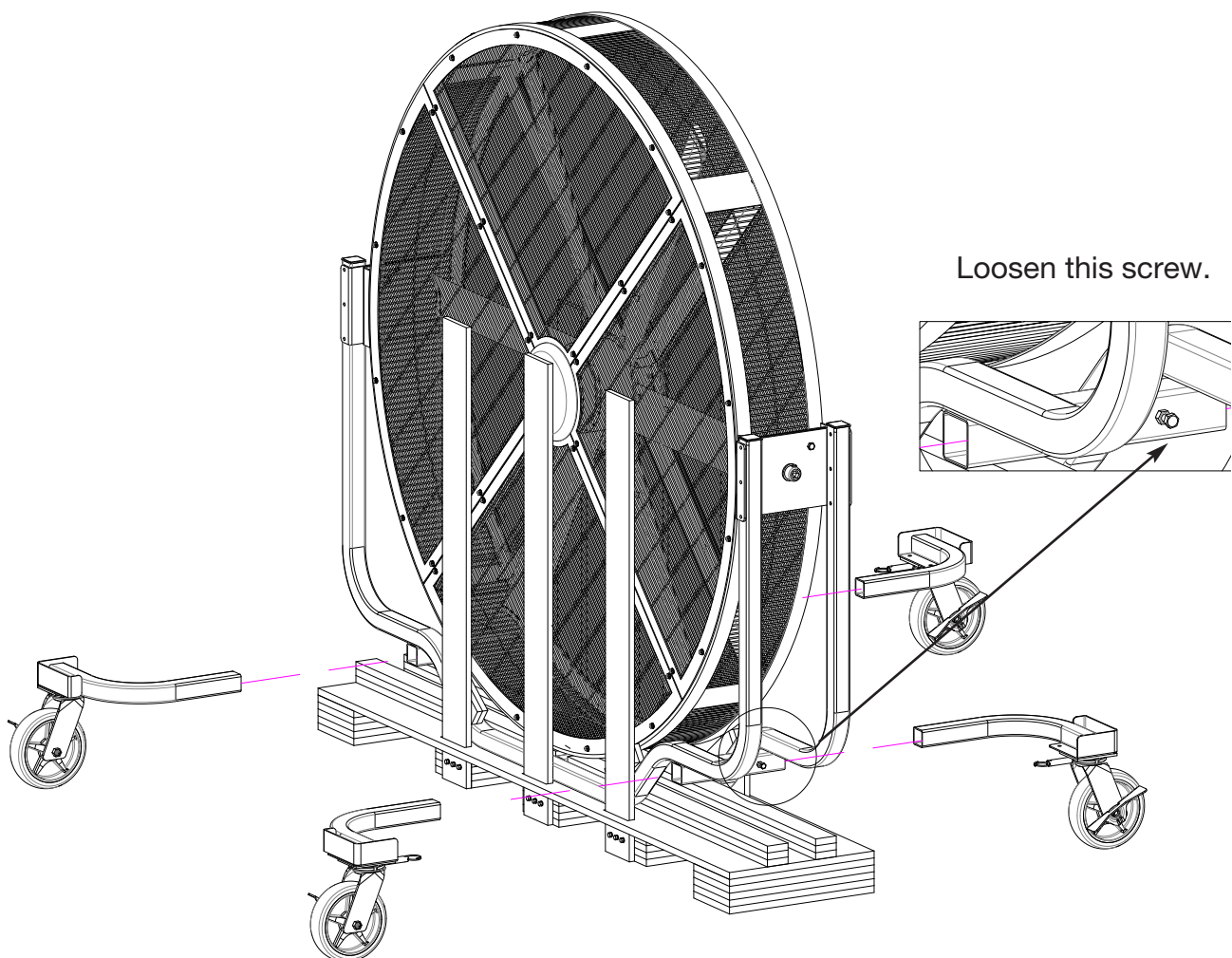


Mobile 6' and 8' Fan

6. Take out the caster assembly from the frame tubing of the fan.



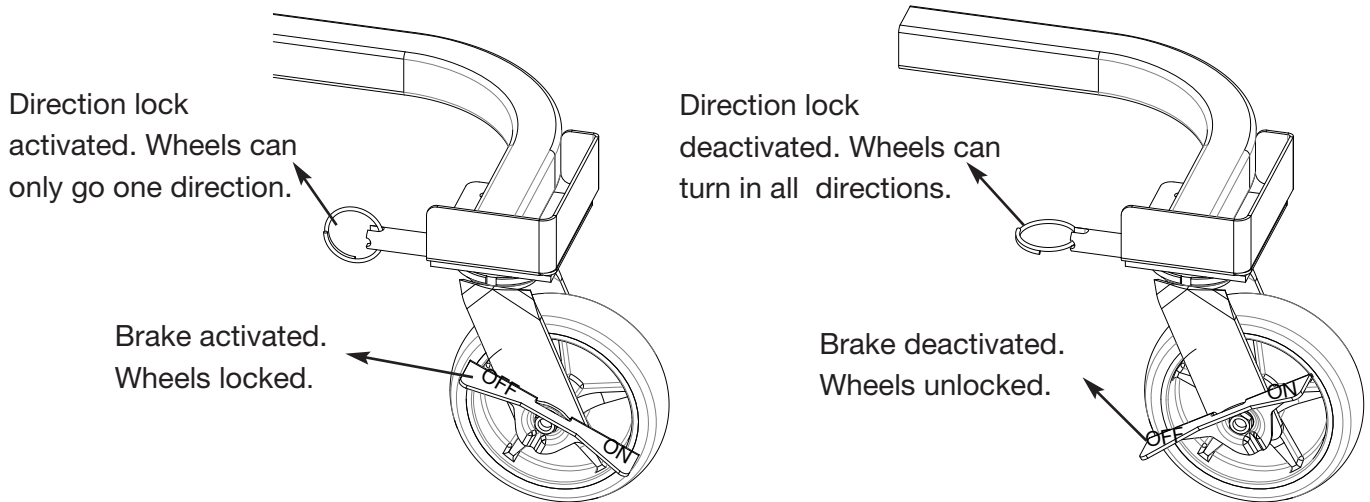
Caster Assembly Installation



1. Loosen the screws from the base of the frame tubing.
2. Insert the caster assembly (7) & (8) into the base of the frame tubing.
3. Reinstall the screws from step #1.

Mobile 6' and 8' Fan

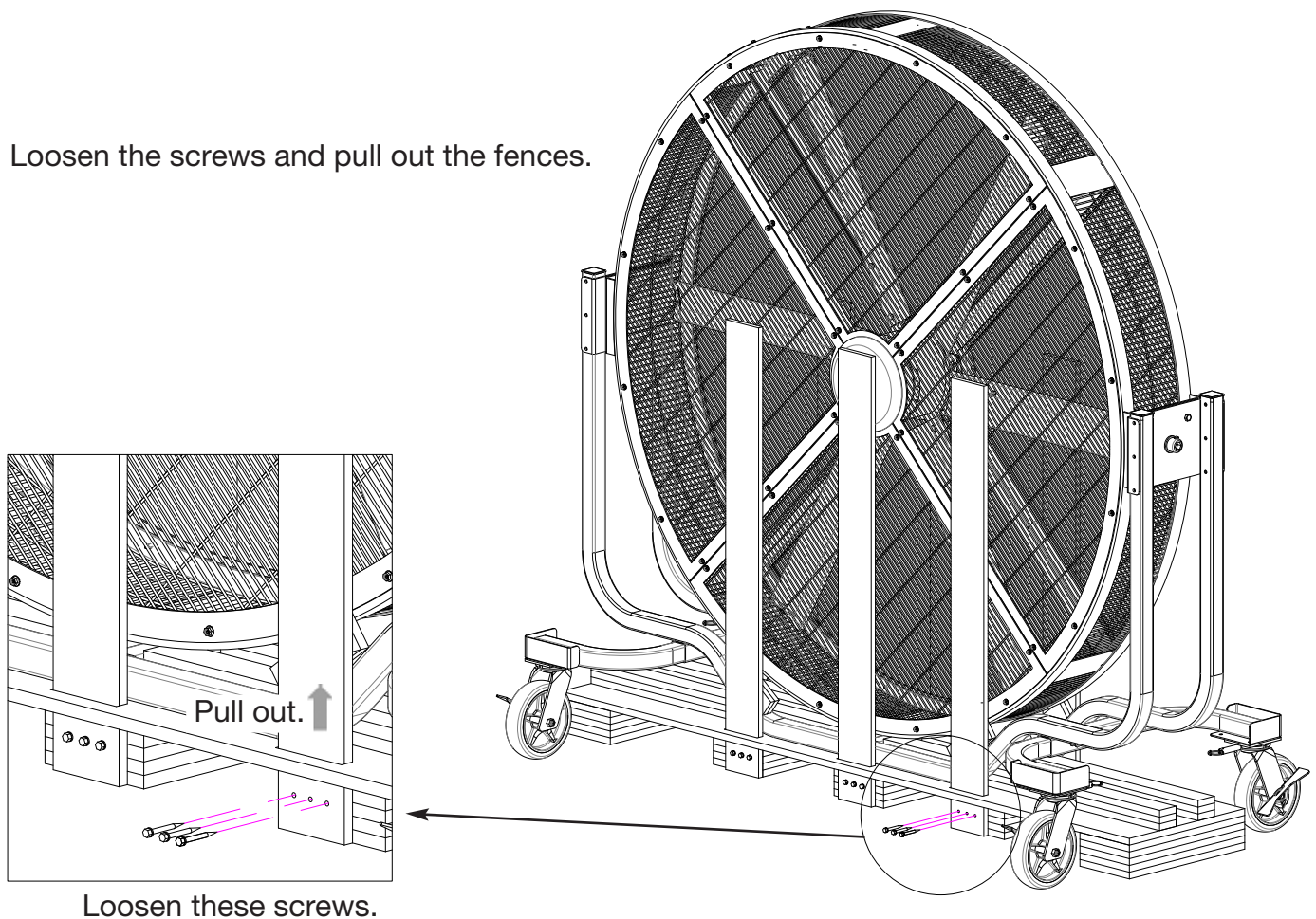
Caution: There is a brake and a direction lock on the caster assembly. When you finish the installation, please lock the breaks before power on the fan.



Removing the Fence

Note: To reduce the risk of injury, please finish the caster assembly installation before removing the fences.

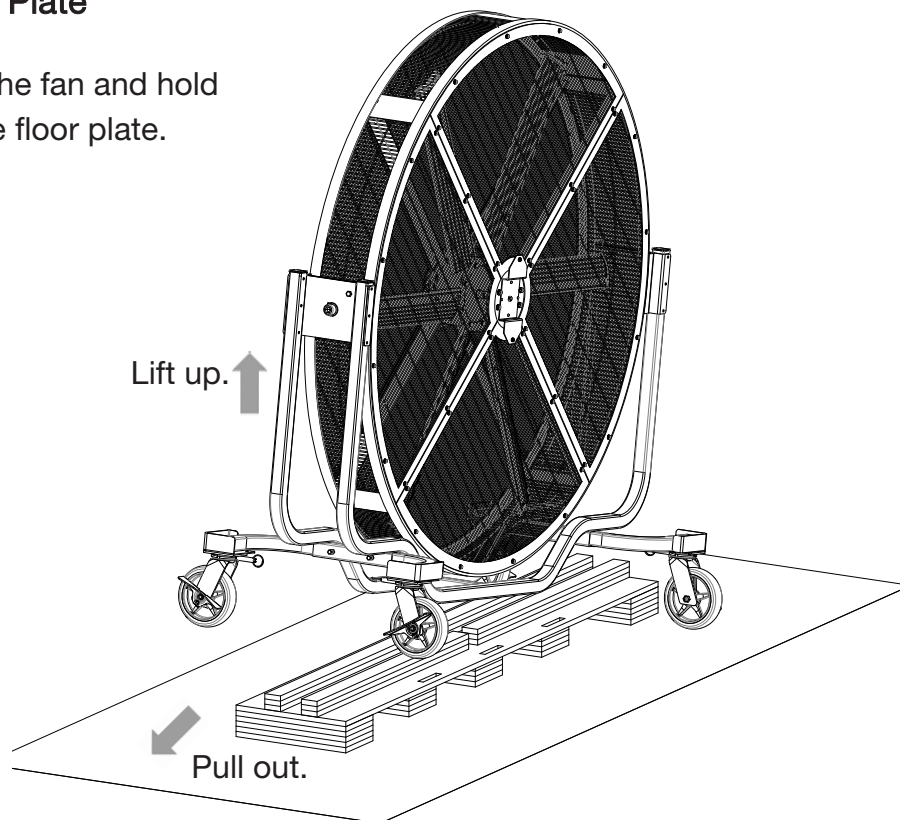
Loosen the screws and pull out the fences.



Mobile 6' and 8' Fan

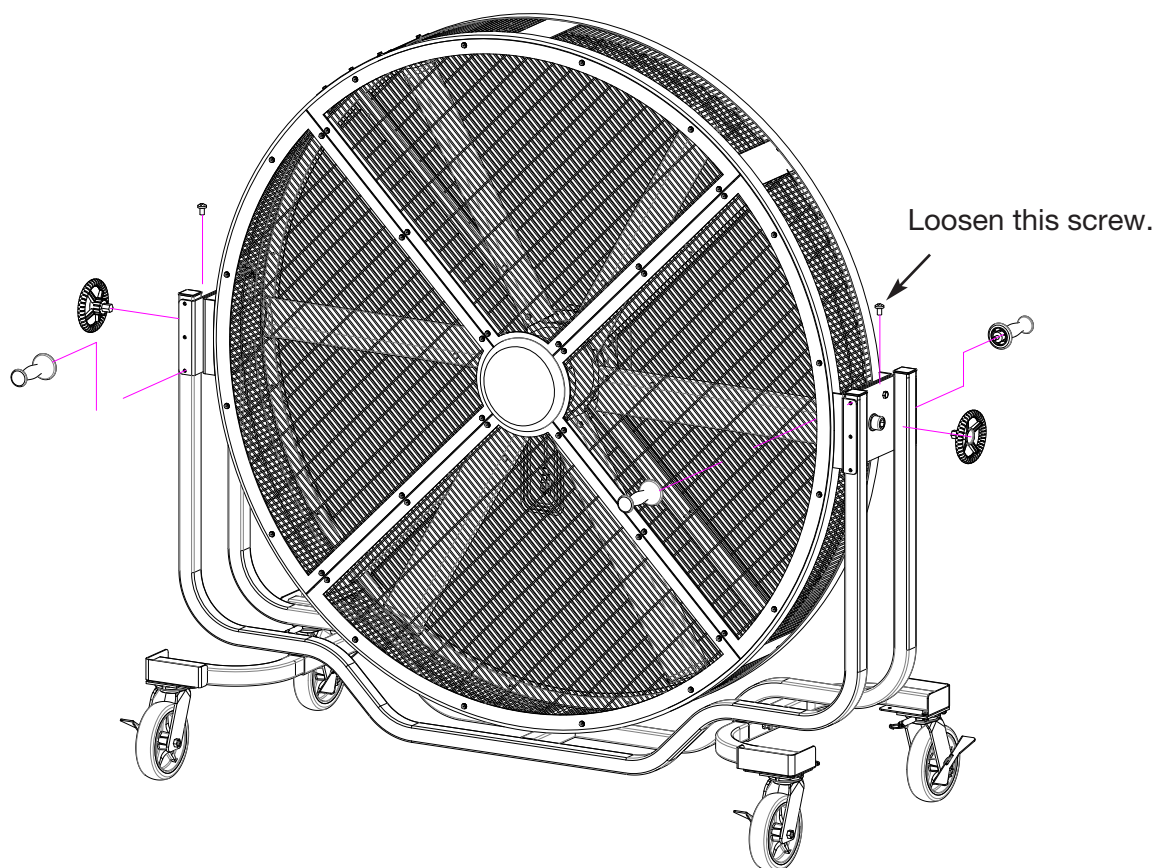
Remove the Floor Plate

Lift up one side of the fan and hold on, then pull out the floor plate.



Tilt Knob & Handle Installation

1. Loosen the screws from the frame tubing, insert the tilt handle (9) and tighten the screws.

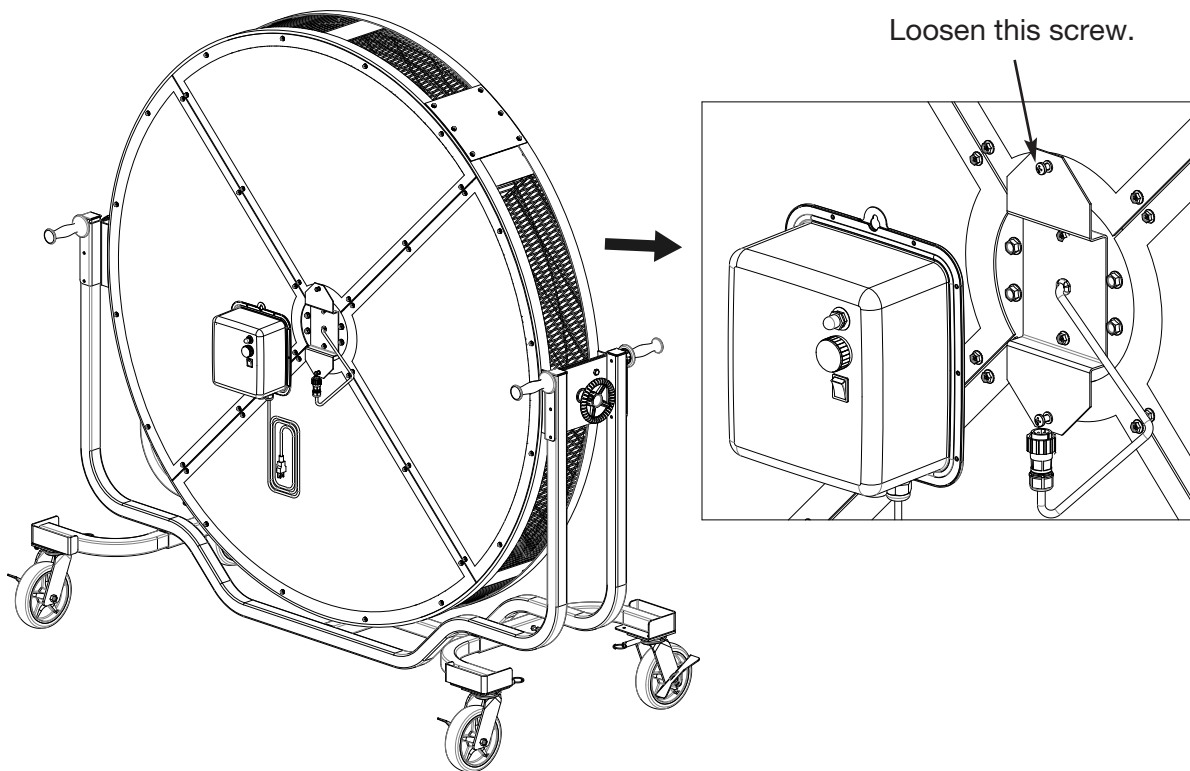


Mobile 6' and 8' Fan

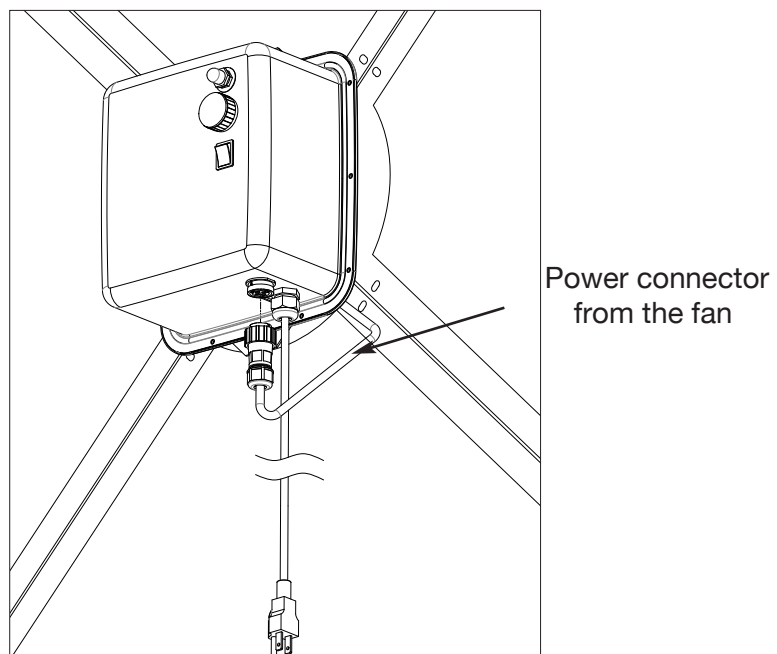
2. Align the handles (10) with the mounting hole on the frame tubing and tighten them. There are 3 mounting holes on each side, which can be selected according to your preference.

Control Box Installation

1. Loosen the screws from the mounting plate. Align the control box (6) to the loosened screws on the mounting plate. Re-tighten the screws.



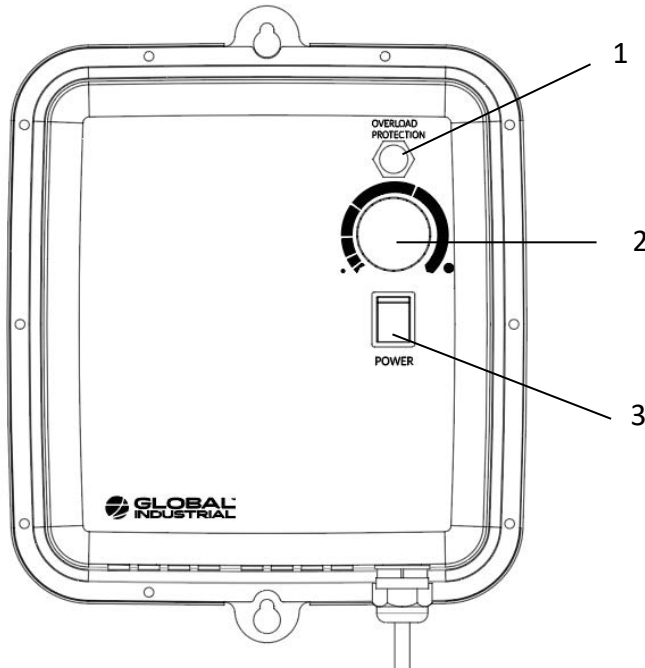
2. Insert the power connector to the control box(6).



Mobile 6' and 8' Fan

5 Operating Instructions

Control Box



PART	DESCRIPTION
1	Overload protection
2	Speed adjustment knob
3	Power switch

1. This fan employs the latest technology of EC (electronic commutator) and electronic control.
2. Switch on the fan with the power switch.
3. Turning the knob in clockwise direction will increase the speed of the fan. Turning counterclockwise will slow down the fan.
4. Adjust the fan speed to your desired speed. Turn the knob slowly as the fan requires time to speed up or slow down.



CAUTION

Rotation will always have some natural resonance frequency. This fan has a wide spread of speed adjustment which may encounter this resonance at one or two speeds.

At a speed when resonance occurs, the whole fan will vibrate somewhat vigorously and with shaking noise.

When you notice the fan is vibrating, this may be the resonance. Too much resonance will damage the fan. Please skip this speed and you will see the fan ceases vibrating immediately.

Resonance is nature physical phenomenon. Please adjust the speed when resonance is observed.

Mobile 6' and 8' Fan

6 Maintenance and Cleaning



WARNING

- Parts replacement and troubleshooting to be performed only by qualified personnel.
- Do not depend on any switch as the sole means of disconnecting power when installing or servicing the fan. Failure to do so may result in fatal electrical shock.
- Unplug the fan from the wall outlet before servicing or cleaning.

NOTE: There is no user maintenance part except regular cleaning as follows. All other servicing or maintenance should be performed by qualified service personnel.

To clean the fan, use a soft damp cloth. Wipe down with a dry cloth.
Do not use cleaners that are harmful to paints or plastics.



CAUTION

- Do not use gasoline, benzene, thinner, harsh cleaners, etc., which are dangerous and will damage the fan.
- If cleaning requires the removal of a guard, remove only the front guard and re-install when finished in its originally installed position. Do not repair propeller if it becomes damaged. The propeller is accurately balanced at the factory and should be replaced if damaged.

The propeller, guard, and motor should be cleaned periodically to prevent overheating, and/or operating in an imbalanced condition.

NOTE: Motor is permanently lubricated.

7 Troubleshooting

If your fan fails to operate, please follow these instructions:

1. Make sure the fan is plugged in and the electrical outlet is working properly.
2. Check for any obstruction. If you find an obstruction, turn the fan "OFF". Unplug the fan and carefully remove the obstruction.
3. Plug the fan in and turn it on again. It should resume normal operation.

NOTE: IF YOU EXPERIENCE A PROBLEM WITH YOUR FAN, PLEASE DO NOT ATTEMPT TO OPEN OR REPAIR THE FAN YOURSELF. DOING SO COULD CAUSE DAMAGE TO THE FAN AND/OR PERSONAL INJURY. Always consult the manufacturer before further use.