



GLOBALTM
INDUSTRIAL

We can supply that.[®]

User's manual

Manual del usuario

Manuel de l'utilisateur

Customer Service
US: 1-800-645-2986

Servicio de atención al Cliente
US: 1-800-645-2986

Service à la clientèle
Canada: 888-645-2986

Industrial Ceiling Fan

Model: 293103 293104



**READ AND SAVE THESE
INSTRUCTIONS**

Industrial Ceiling Fan

Read Instructions carefully before assembling or installing your fan. It is important that you observe all safety information to help prevent personal injury and/or property damage.

1. Installation work and electrical wiring should be done by qualified persons only in accordance with all applicable codes and standards.
2. Unplug or disconnect the fan before servicing.
3. Use this fan only in the manner intended by the manufacturer. This fan is intended for permanent installation and to be used for air circulation only.
4. The secondary support cable included with the fan must be properly connected.
5. To reduce the risk of personal injury, do not bend the blade brackets when installing the brackets, balancing the blades, or cleaning the fan. Do not insert foreign objects in between rotating fan blades.
6. Ceiling fans without guards are to be installed at least ten feet above floor with adequate clearance between blades and adjacent walls, furnishing, etc.
7. When mounted in a cathedral ceiling, blade tips should be at least one foot from the angled roof line or air turbulence may cause fan to sway.
8. The supporting beam must be capable of holding at least 80 pounds (or the weight of the fan plus any accessories that might be added).
9. Do not operate any fan with a damaged cord or plug. Discard fan or return to an authorized service facility for examination and/or repair.
10. To reduce the risk of fire or electric shock, do not use this fan with other types of solid-state speed control devices.

Unpacking

- Carefully remove fan and parts from carton and check for shipping damage.
- Check parts list against carton contents.
- Do not install blades before mounting fan.

Electrical Hookup

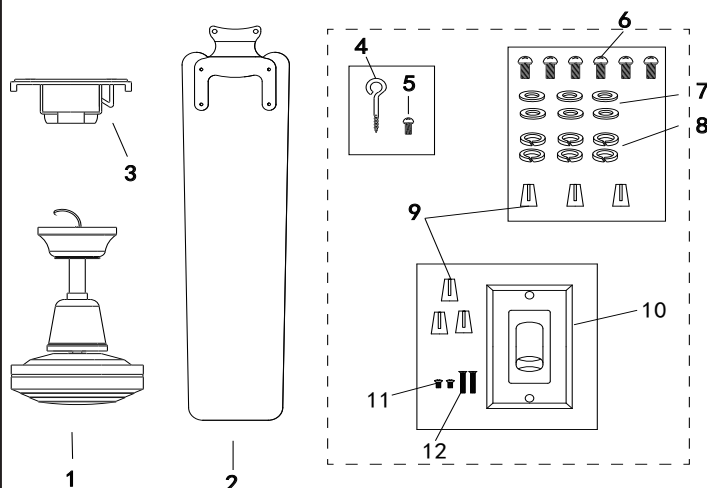
1. All electrical hookups should be made by a qualified person.
2. The installation shall be in accordance with the local codes.
3. Check state and local codes to assure proper hookup.
4. Disconnect power at main service panel.
5. Lock in open position and tag it to prevent un expected power application.
6. Check that power source conforms to electrical requirements of fan.

Product Specification		
Model	293103	293104
Voltage(V)	120	120
Frequency(Hz)	60	60
Wattage(W)	97	100
AMPS(A)	0.88	0.91
RPM	260	235
Airflow(CFM)	8350	9150
Speed	4	4
Net Weight(lbs)	17.6	18
Certification	UL,cUL LISTED	UL,cUL LISTED

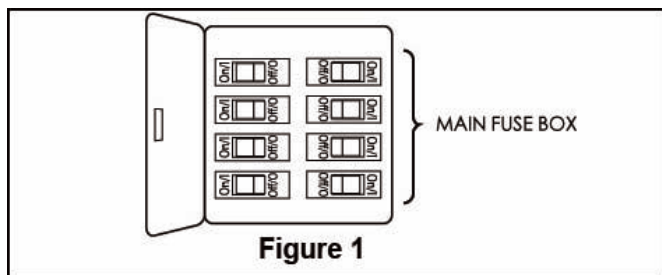
Tools and Supplies

- Slot, Phillips head and Screwdrivers
- Adjustable crescent wrench
- Grounded metal outlet box with single receptacle
- Drill Bit size: 7/16 ~ 1/2 inch

CONNECTS		
Part	Qty.	Description
1	1	Pre-assembled Fan without Blades
2	3	Blades with Brackets Attached
3	1	Mounting Bracket
4	1	J Wood Screw
5	4	Canopy Mounting Screw
6	6	Screw
7	6	Flat Washer
8	6	Spring Washer
9	6	Wiring Cap
10	1	Speed Control
11	2	#6-32 3/4" Screw
12	2	#6-32 5/16" Screw



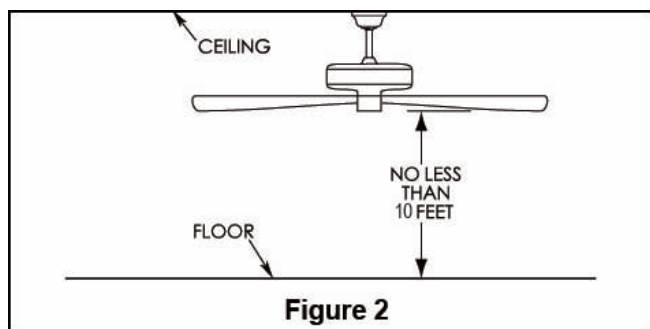
Assembly Instructions Before Mounting



⚠ WARNING

To avoid possible electrical shock, be sure electricity is turned off at the main fuse box before hanging. (Figure 1)

NOTE: If you are not sure if the outlet box is grounded, contact a licensed electrician for advice, as it must be grounded for safe operation.



⚠ WARNING

The fan must be hung with at least 10' of clearance from floor to blades. (Figure 2)

⚠ WARNING

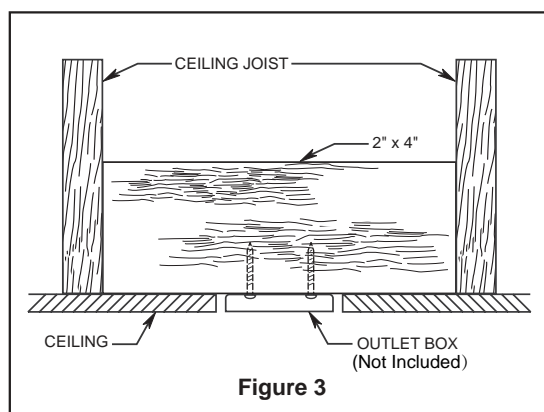
To Reduce The Risk Of Fire, Electric Shock, Or Personal Injury, Mount To Outlet Box Marked "Acceptable for Fan Support of 15.9 kg (35 lbs) or less" And Use Mounting Screws Provided With The Outlet Box.

If your ceiling fan does not have an existing UL-listed mounting box, then install one using the following instructions:

1. Disconnect the power by removing the fuses or turning off the circuit breakers.
2. Secure the outlet box directly to the building structure. Use the appropriate fasteners and materials. The outlet box and support structure must be securely mounted and capable of reliably supporting 35 lbs. (15.9kg). Use only UL Listed outlet boxes marked "Acceptable for Fan Support of 35 lbs. (15.9kg) or less." Do not use a plastic outlet box.
3. The illustrations below show three different ways to mount the outlet box.

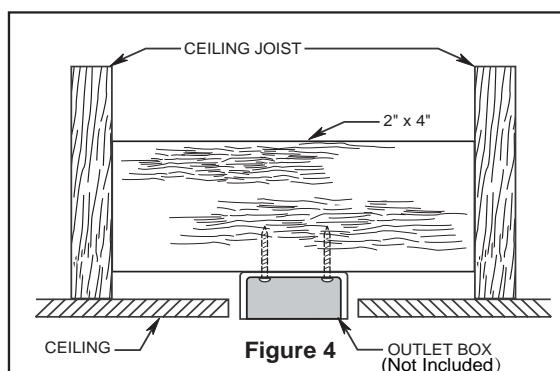
Low profile box (Figure 3)

A 1/2-in.(12.7mm)-deep pancake box is meant to be screwed to a joist or block. It's used if only one cable is coming into the box. It is also available in a saddle-mount configuration



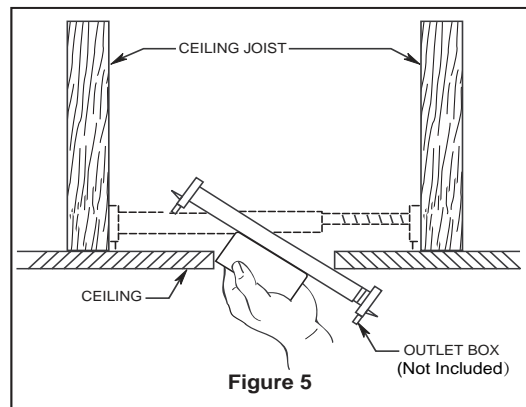
Deep box (Figure 4)

A 2-1/4 in.(57.15mm) deep box can be attached to blocking between joists and is roomy enough to handle more than one cable.



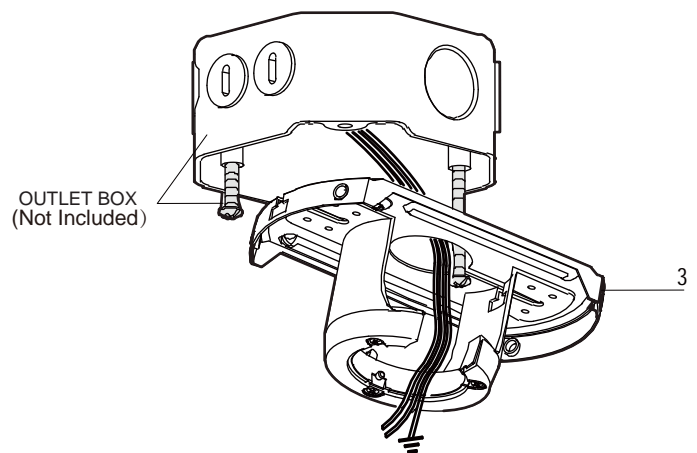
Deep box with brace (Figure 6)

Paired with a deep box, this hanger is meant to span between two joists and takes the place of wooden blocking.



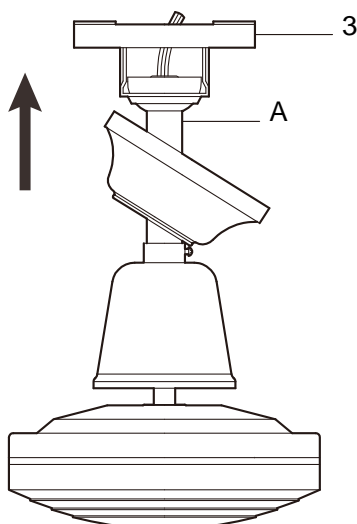
Installing the mounting bracket

1. Pass the 120-Volt supply wires through the center hole in the mounting bracket(3).
2. Install the ceiling mounting plate on the outlet box by sliding the mounting bracket over the two screws provided with the outlet box. If necessary, use leveling washers (not included) between the mounting bracket and the outlet box. Note that the flat side of the mounting bracket is toward the outlet box.
3. Securely tighten the two mounting screws.



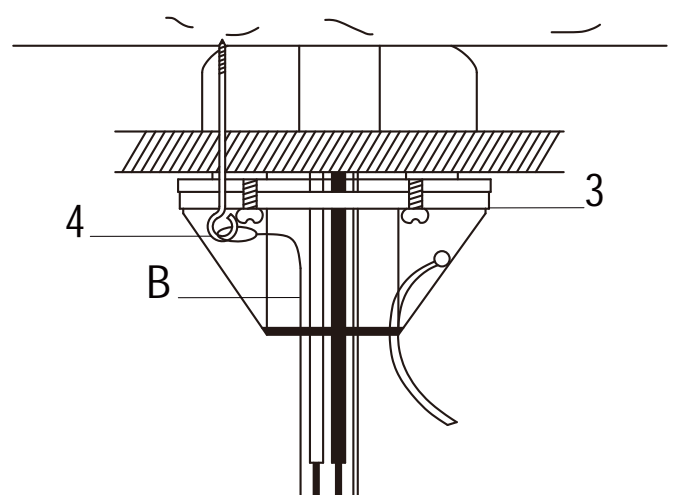
Hanging the fan

1. Carefully lift the fan motor assembly up to the mounting bracket(3).
2. Seat the hanger ball portion of the ball/down-rod(A) assembly in the mounting bracket socket. Ensure that the tab on the mounting bracket(3) socket is properly seated in the groove in the hanger ball.



Connecting the safety cable

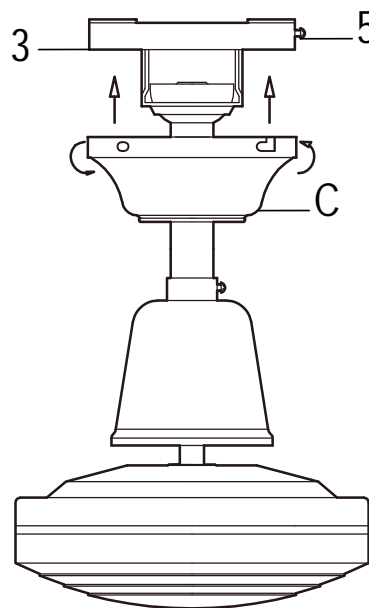
1. Turn the wood screw(4) into the ceiling.
2. Place the looped end of the safety cable(B) onto the wood screw(4) and then tighten the screw firmly, or connect the safety cable(B) directly to the outer joist or mounting bracket(3).



Industrial Ceiling Fan

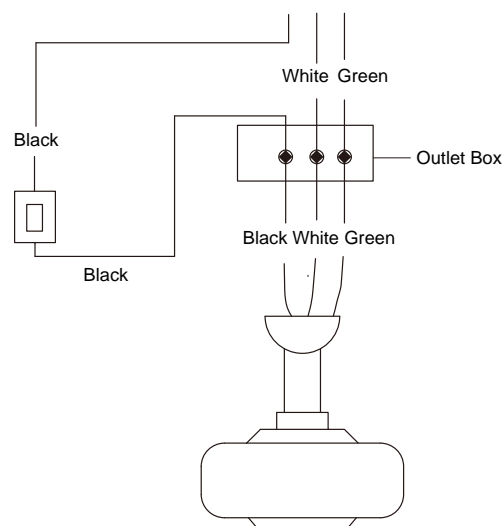
Attaching the canopy

1. Align the locking slots of the ceiling canopy (C) with the two screws in the mounting bracket (3). Push up to engage the slots, and turn clockwise to lock the canopy (C) in place.
2. Firmly tighten the two mounting screws (5).
3. Install the remaining two mounting screws (5) into the holes in the canopy (C) and tighten firmly.

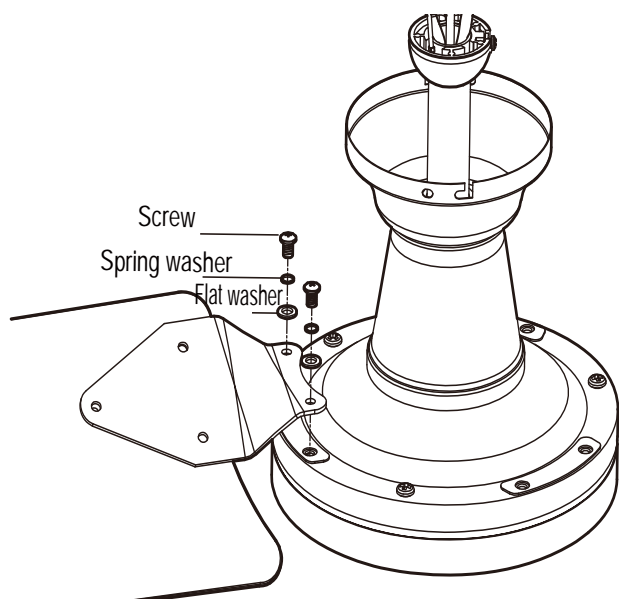


Making the electrical connection

1. Connect the ground conductor of the 120-Volt supply to the green wire of the fan.
2. Connect the fan motor white wire to the supply white wire using a wiring cap (9).
3. Connect the fan motor black wire to the supply black wire using a wiring cap (9).
4. After connecting the wires, spread them apart so that the green and white wires are one side of the outlet box and the black wire is on the other side.
5. Turn the wire connecting nuts upward, and carefully push the wiring into the outlet box.



Attach Blades



1. Position the blade with bracket attached (2) on the motor so the mounting screw holes align with the threaded holes.
 2. Turn the screw (6), spring washer (8), and flat washer (7) into the hole but do not completely tighten. Make sure the second hole in the blade assembly aligns with a hole in the motor housing.
 3. Install a second screw (6), spring washer (8) and flat washer (7) in the blade assembly in the same manner.
 4. Repeat for the remaining blades.
 5. Tighten all screws.
- Note: All blades MUST face the same direction.

Operation

Turn on the power and check operation of fan.

The wall control the fan speeds as follows:

0 - off; 1 - high; 2 - medium high; 3 - medium; 4 - low.

Speed settings for warm or cool weather depend on factors such as room size, ceiling height, number of fans and so on.

The slide switch controls direction, forward or reverse.

Warm weather - (Forward) Fan turns counterclockwise direction. A downward air flow creates a cooling effect.

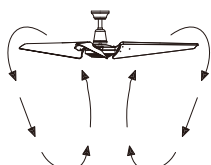
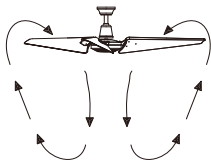
This allows you to set your air conditioner on a higher temperature setting without affecting your comfort.

Cool weather - (Reverse) Fan turns clockwise direction. An upward air-flow moves warm air off the ceiling area.

This allows you to set your heating unit on a lower setting without affecting your comfort.

The slide switch has been included, it located on the couple yoke. Please loosen the set screw on the top of yoke cover, then slide the bell up to the down rod, after adjust the slide switch, please repeat the yoke cover.

NOTE: Turn off and wait for fan to stop before changing the setting of the forward/reverse slide switch.



Maintenance

1. Because of the fan's natural movement, some connections may become loose. Check the support connections, brackets, and blade attachments twice a year. Make sure they are secure.
2. Clean your fan periodically to help maintain its new appearance over the years. Do not use water when cleaning. This could damage the motor, or the wood, or possibly cause electrical shock.
3. Use only a soft brush or lint-free cloth to avoid scratching the finish. The plating is sealed with a lacquer coating to minimize discoloration or tarnishing.
4. There is no need to oil your fan. The motor has permanently lubricated bearings.

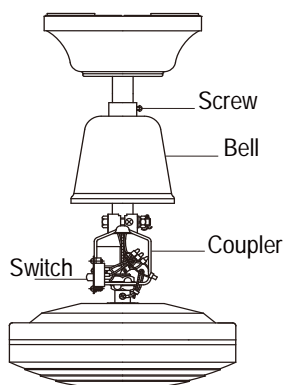
TROUBLESHOOTING

If you have difficulty operating your new ceiling fan, it may be the result of incorrect assembly, installation, or wiring. In some cases, these installation errors may be mistaken for defects.

If you experience any faults, please check this Trouble Shooting chart. If a problem cannot be remedied, please consult with your authorized electrician and do not attempt any electrical repairs yourself.

Reverse Direction

The reverse switch is located on the coupler. To switch the direction of the blade rotation, follow the instructions below:



1. Remove screw from bell.
2. Slide the bell up to reveal switch.
3. Slide switch to change motor direction.
4. Set reverse switch in desired direction:
For warm weather, set switch in down position.
For cool weather, set switch in up position.
5. Slide the bell back down.
6. Align screw hole in bell with hole in down rod and reinstall screw.

Industrial Ceiling Fan

TROUBLE	SUGGESTED REMEDY
If fan does not start:	<ol style="list-style-type: none"> 1. Check main and branch circuit fuses or circuit breakers. 2. Check wire connections as explained on page 5 of this manual. CAUTION: Make sure main power is turned off. 3. Make sure forward/reverse switch is firmly in the correct position. Fan will not operate when switch is in the middle. 4. If the fan still will not start, contact a qualified electrician. Do not attempt to troubleshoot internal electrical connections yourself.
If fan sounds noisy:	<ol style="list-style-type: none"> 1. Check to make sure all screws in motor housing are snug (not over tightened). 2. Check to make sure the screws which attach the fan blade holder to the motor are tight. 3. Some fan motors are sensitive to signals from Solid State variable speed controls. 4. Allow "break-in" period of 24 hours. Most noises associated with a new fan will disappear after this period.
If fan wobbles:	<p>The following procedures should eliminate most of the wobble. Check for wobble after each step.</p> <ol style="list-style-type: none"> 1. Check that all blades are screwed firmly into blade holders. 2. Check that all blade holders are tightened securely to motor. 3. Make sure that canopy and mounting bracket are tightened securely to ceiling joist. 4. If blade wobble is still noticeable, interchanging two adjacent (side by side) blades can redistribute the weight and possibly result in smoother operation.