



**GLOBAL<sup>TM</sup>  
INDUSTRIAL**

*We can supply that.<sup>®</sup>*

**User's manual**

**Manual del usuario**

**Manuel de l'utilisateur**

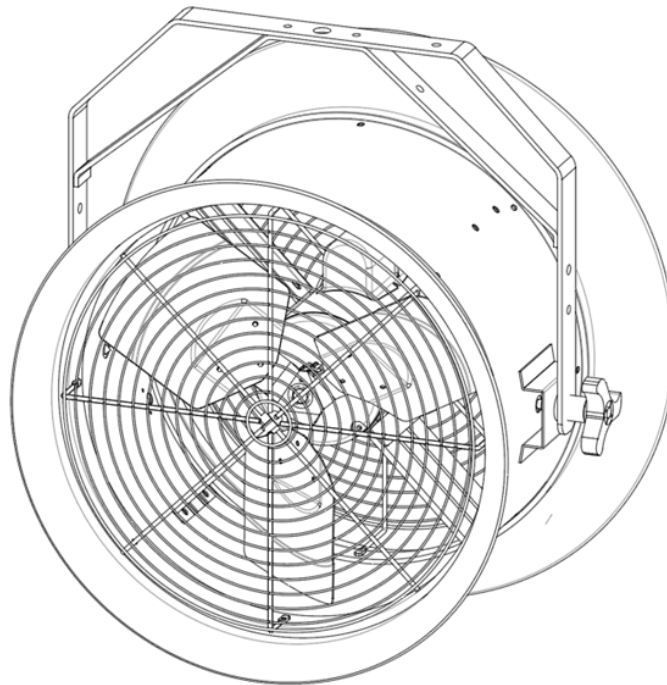
**Customer Service**  
US: 1-800-645-2986

**Servicio de atención al Cliente**  
US: 1-800-645-2986

**Service à la clientèle**  
Canada: 888-645-2986

# High Velocity Dock Fan With Yoke Mount - 115V

Models: 293092, 293093, 293094



Please read and save these instructions. Read carefully before attempting to assemble, install, operate or maintain the product described. Do not use the fan if any part is damaged or missing. To reduce risk of injury disconnect power supply before servicing or moving.

- DO NOT touch any moving parts.
- DO use a 3-prong outlet.
- DO avoid using extension cords.
- DO NOT kink the cord or allow it to contact oil, grease, chemicals, hot surfaces, or sharp or abrasive objects.
- The fan is intended for general air circulation ONLY. It must NOT be used in potentially dangerous locations such as flammable, explosive, chemical-laden, or wet atmospheres. Do not use fan in or near a window, since rain may create an electrical hazard. DO NOT attach ductwork to the fan.
- Fan motor is equipped with an automatically resetting control circuit that will disconnect power if the motor overheats. Always unplug the fan before removing the guard in case the motor is accidentally turned on.
- Do not operate any fan with a damaged cord or plug. Discard fan or return to an authorized service facility for examination and/or repair.
- Do not run cord under carpeting. Do not cover cord with throw rugs, runners, or similar coverings. Do not route cord under furniture or appliances. Arrange cord away from high traffic areas and where it will not be tripped over.

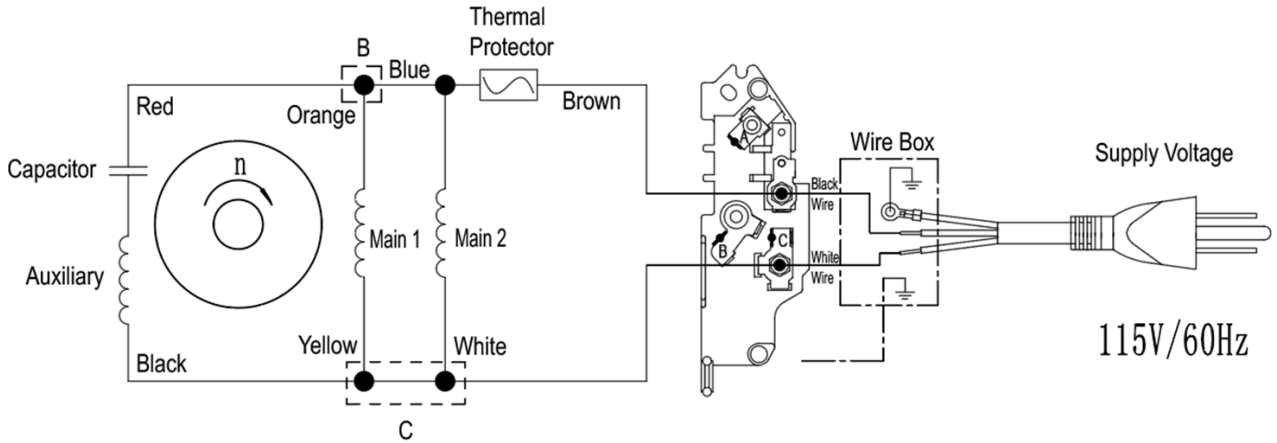
# High Velocity Dock Fan

## Product Specifications

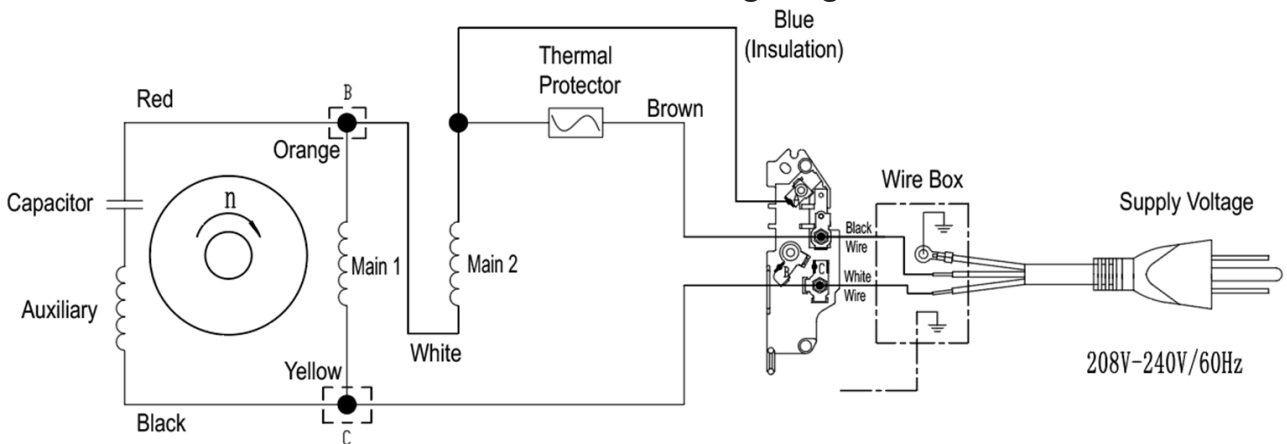
Model	293092	293093	293094
Fan Diameter	14"	18"	22"
Size WxDxH (inches)	21-3/8 x 15-7/16 x 27-7/16	25 x 15-3/4 x 27-3/16	28-3/4 x 15-3/4 x 31
Voltage (V)	115/ 208-240	115/ 208-240	115/ 208-240
Frequency (Hz)	60	60	60
Wattage (W)	400	520	640
AMPS (A)	115V/4.0A; 208-240V/2.0A	115V/4.9A; 208-240V/2.6A	115/5.9A; 208-240V/3.0A
RPM	1720	1720	1720
Airflow (CFM)	6,800	7,700	10,000
Net Weight (lbs)	32.2	49	55.9
Certification	UL, cUL	UL, cUL	UL, cUL

# High Velocity Dock Fan

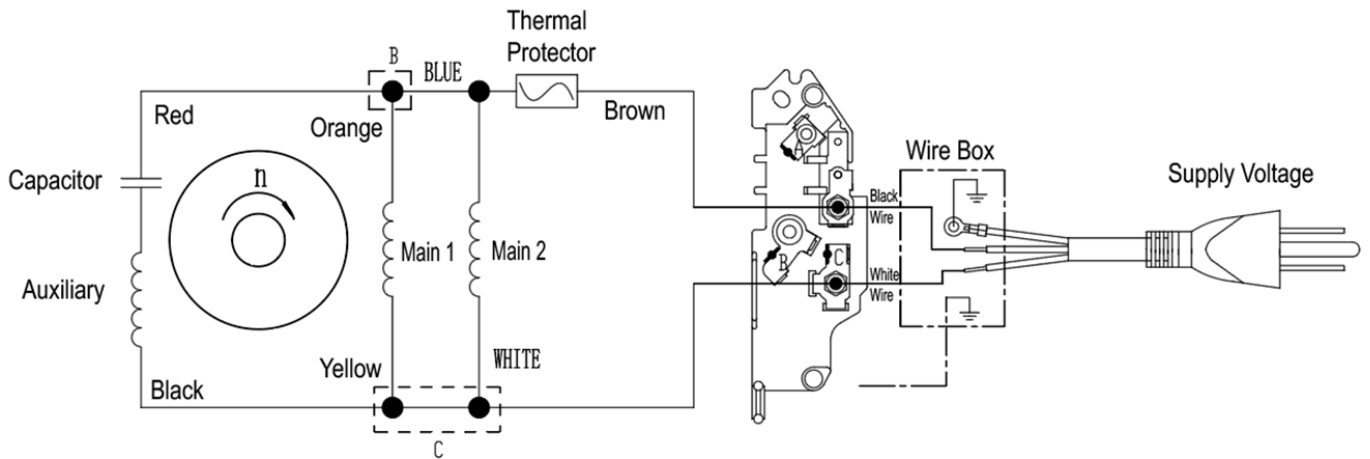
### 14" Dock Fan - 293092 Wiring Diagram - 115V



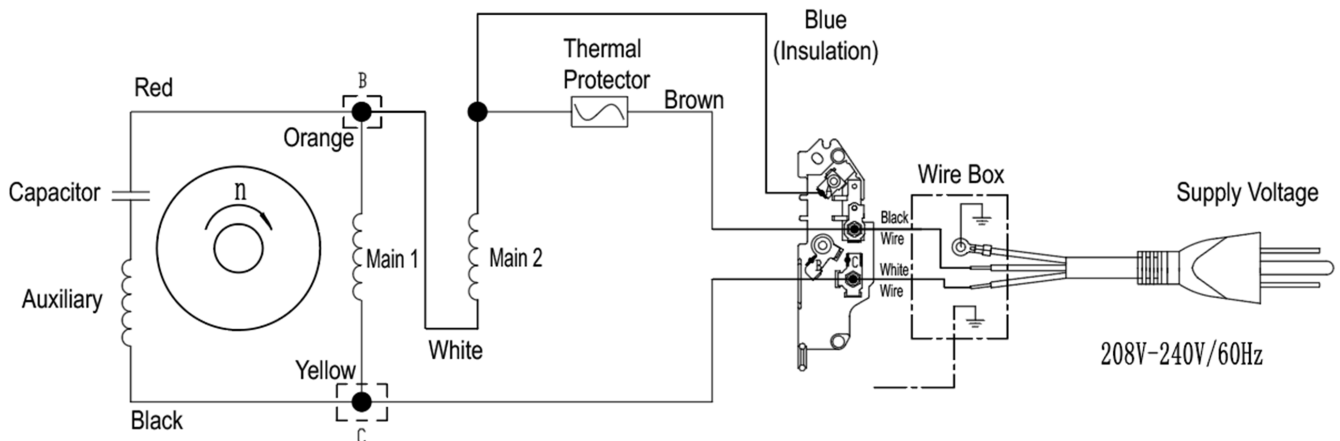
### 14" Dock Fan - 293092 Wiring Diagram - 208-240V



### 18" Dock Fan 293093 & 22" Dock Fan 293094 Wiring Diagram - 115V



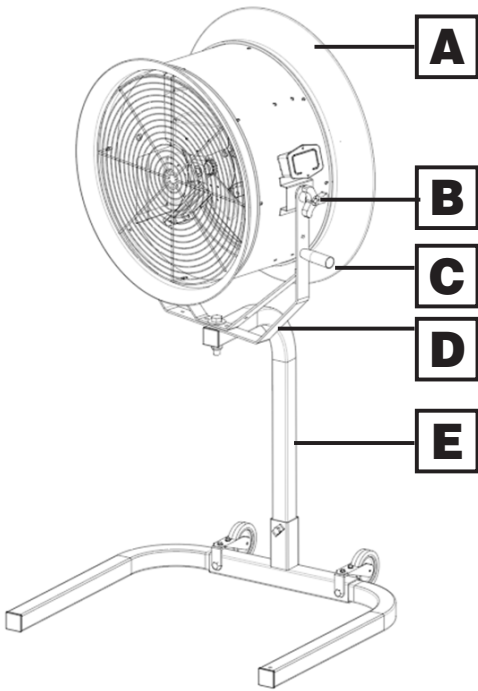
### 18" Dock Fan 293093 & 22" Dock Fan 293094 Wiring Diagram - 208-240V



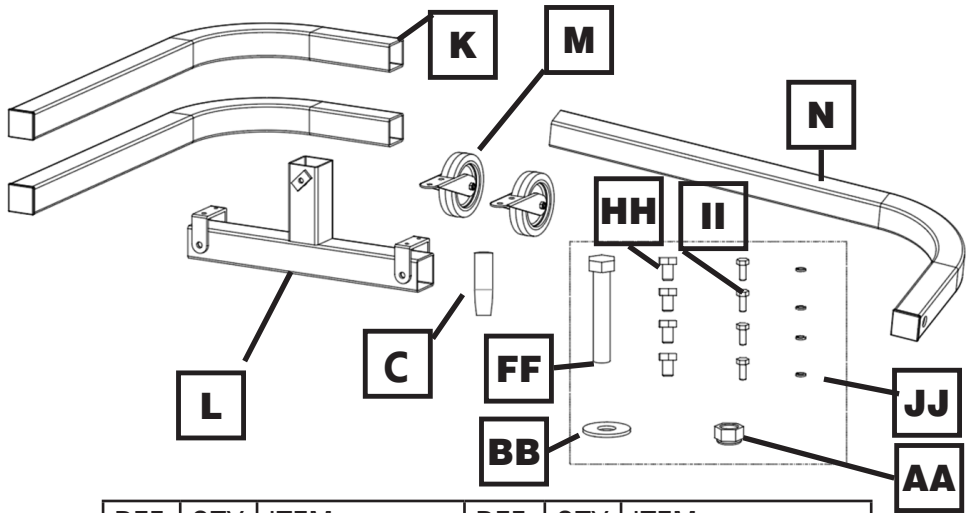
# High Velocity Dock Fan

## Parts List

Mounted with Pedestal Stroller

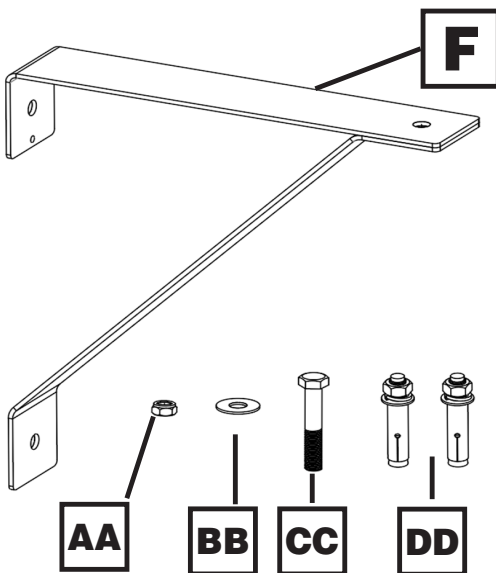


A	DOCK FAN
B	Tilt Adjustable Knob
C	Handle
D	"U" Shaped Yoke
E	Pedestal Stroller

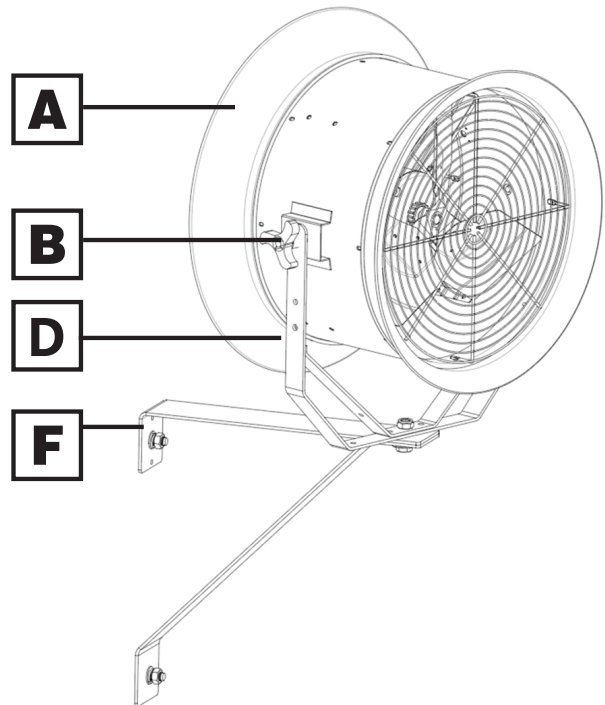


REF	QTY	ITEM	REF	QTY	ITEM
K	2	Stroller Pipe	AA	1	Nut M16
L	1	T-shaped Pipe	BB	1	Washer M16
M	2	Wheel	FF	1	Screw M16x90mm
N	1	Support Pipe	HH	4	Screw M10x16mm
C	1	Handle	II	4	Screw M6x20mm
			JJ	4	Spring Washer M6

Mounted with Dock Truck Mount Bracket



REF	QTY	DESCRIPTION
F	1	Dock Truck Mount Bracket
AA	1	Nut M16
BB	1	Washer M16
CC	1	Screw M16x60mm

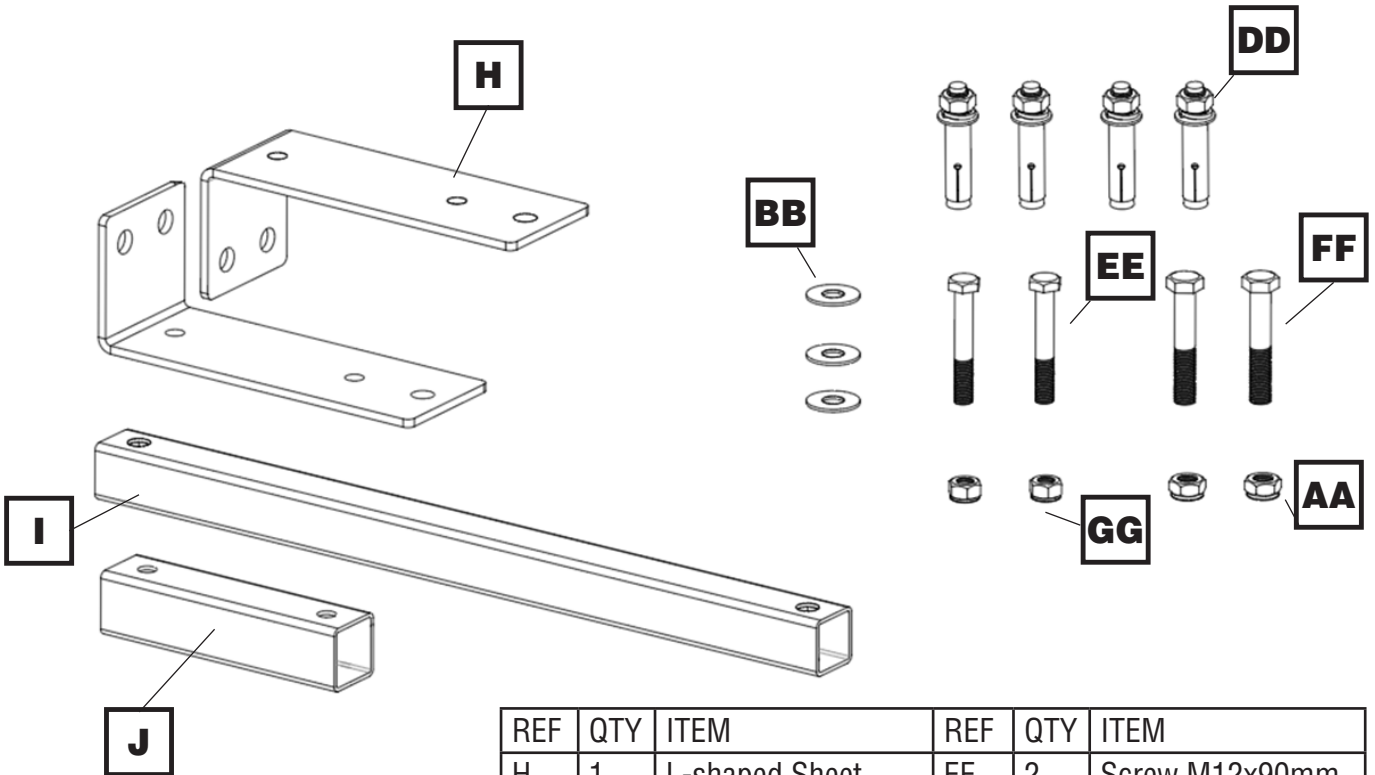
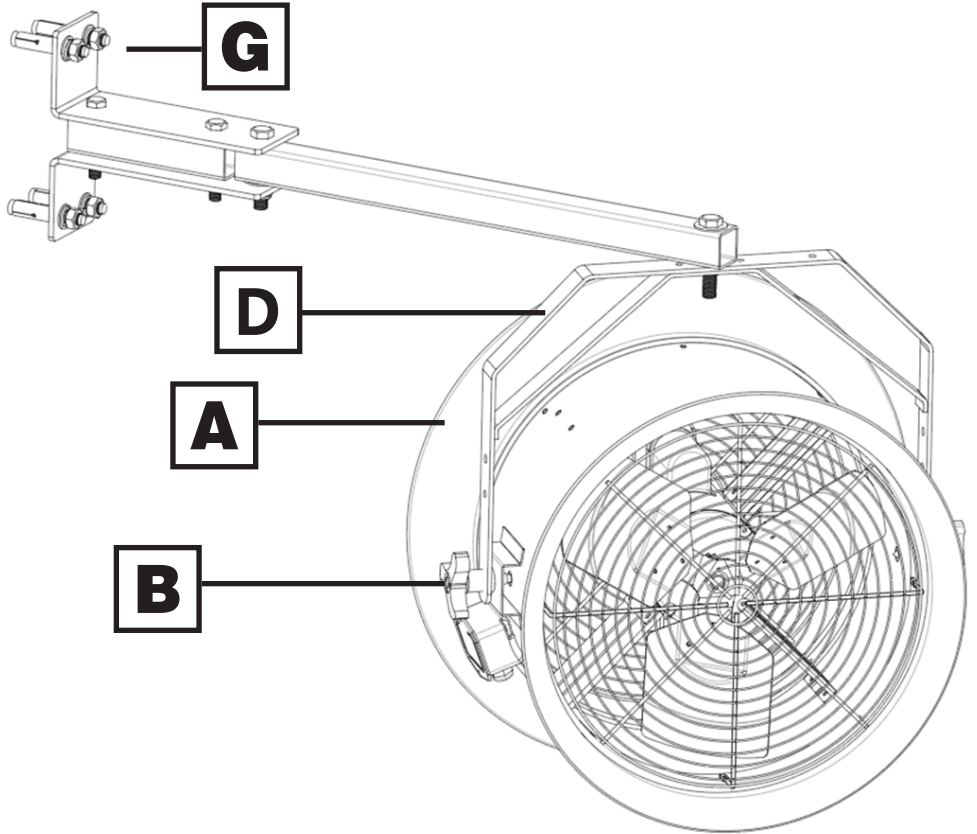


A	DOCK FAN
B	Tilt Adjustable Knob
D	"U" Shaped Yoke
F	Dock Truck Mount Bracket

# High Velocity Dock Fan

## Mounted with Column Bracket

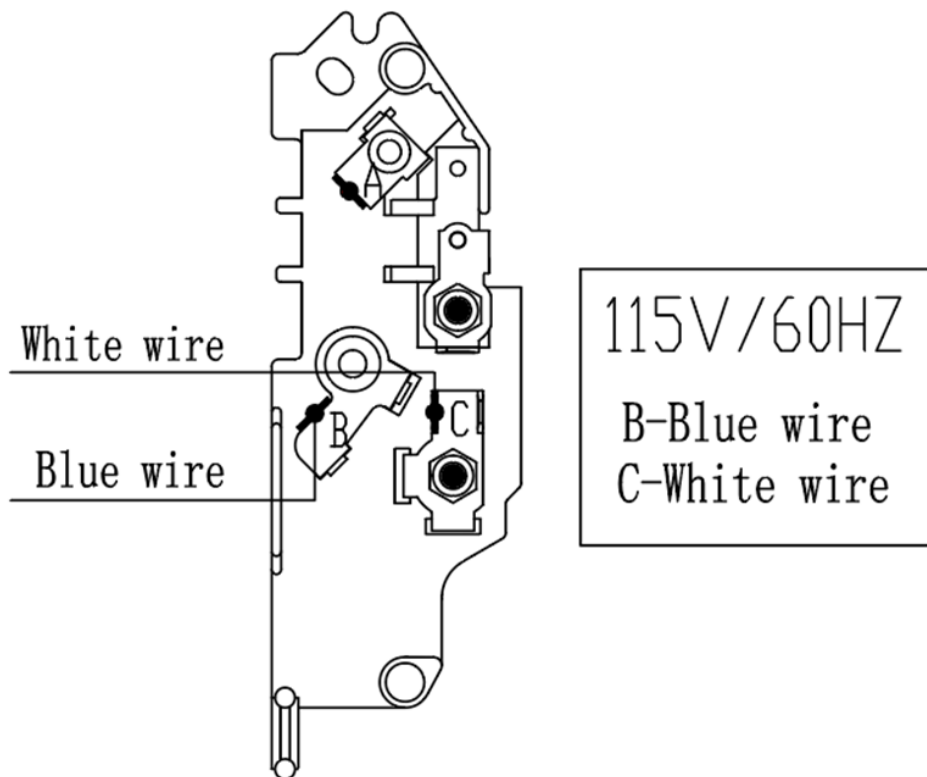
A	DOCK FAN
B	Tilt Adjustable Knob
D	"U" Shaped Yoke
G	Column Bracket



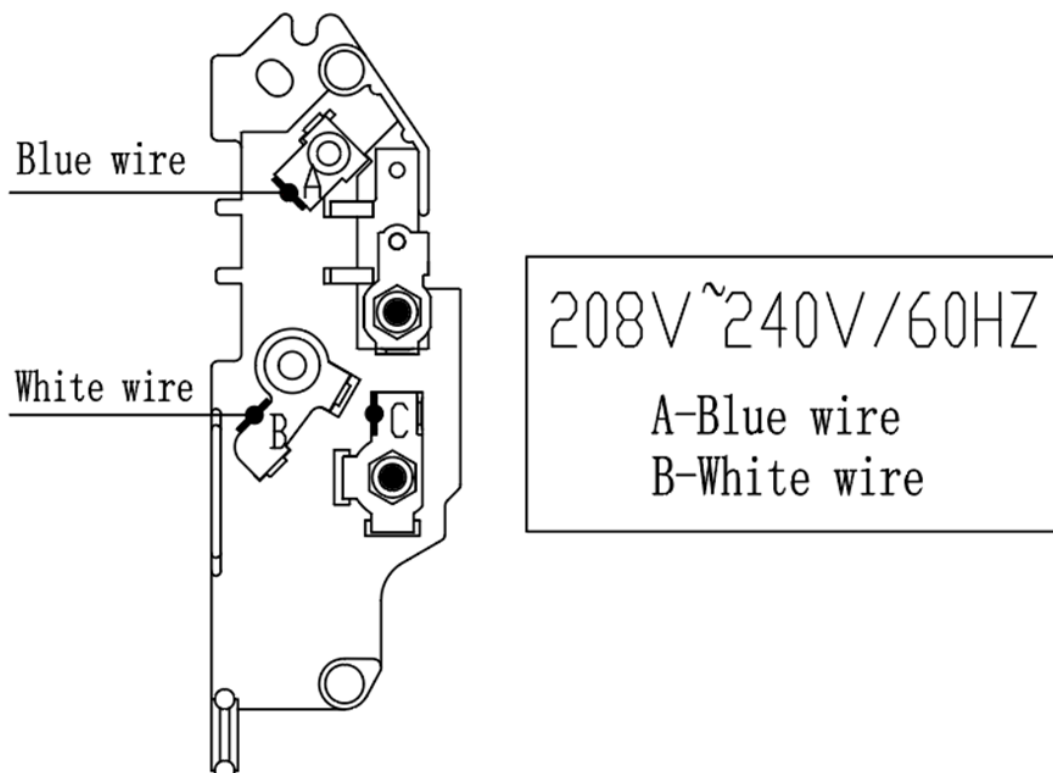
REF	QTY	ITEM	REF	QTY	ITEM
H	1	L-shaped Sheet	EE	2	Screw M12x90mm
I	1	Long Pipe	FF	2	Screw M16x90mm
J	1	Short Pipe	GG	2	Nut M12
AA	2	Nut M16			
BB	3	Washer M16			
DD	4	Expansion Bolt M16			

# High Velocity Dock Fan

1. Loosen the screws to remove the inspection window cover in the rear of the motor.
2. For 115V power connection, plug the blue wire to the terminal B, and plug the white wire to the terminal C.



3. For 208- 240V power connection, connect the blue wire to the terminal A, and the white wire connect to the terminal B.



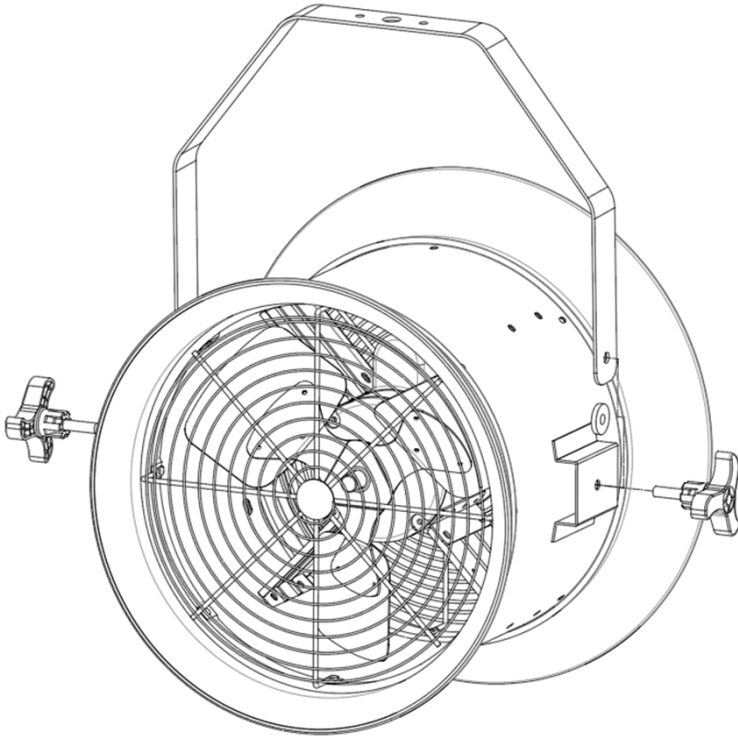


# High Velocity Dock Fan

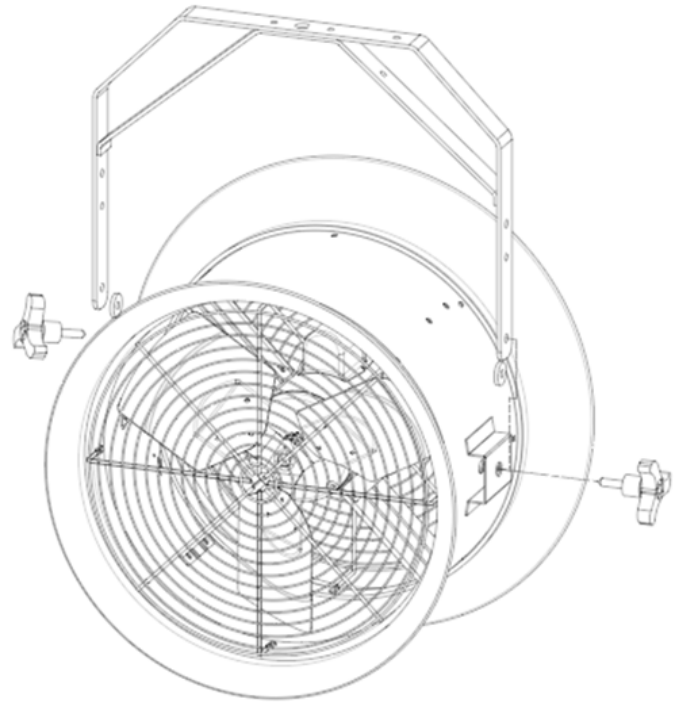
## Installation Instructions

### Installing the "U" shape yoke

Align the holes of the "U" shaped yoke and dock fan, tighten with the rubber pads and tilt adjustable knobs. Let the fan hang from the "U" shaped yoke.



14" Dock Fan 293092



18" Dock Fan 293093 & 22" Dock Fan 293094

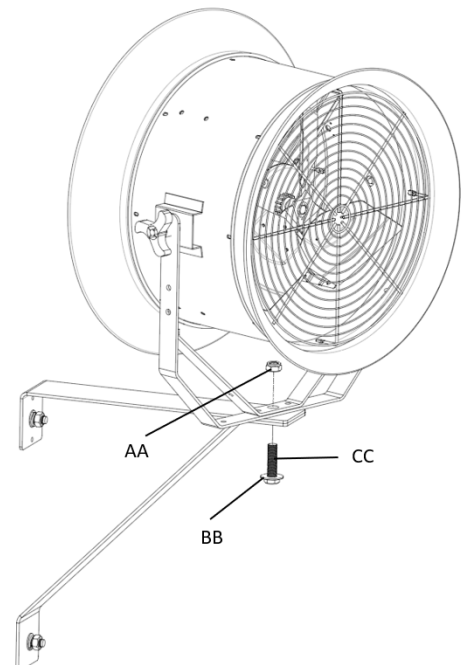
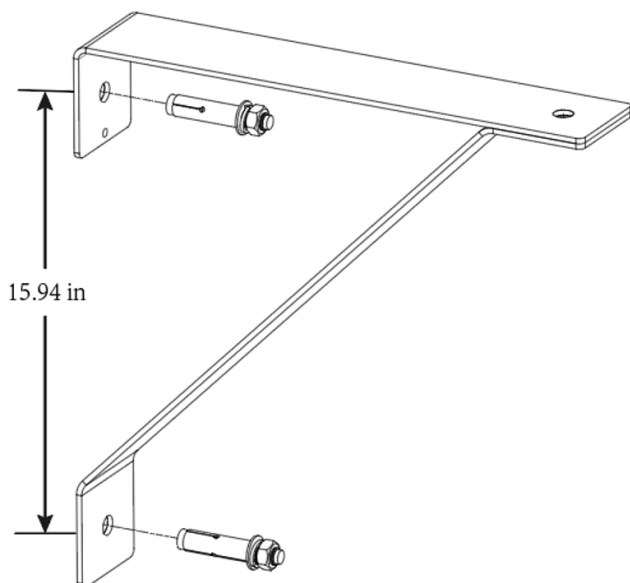
### Mounting with Dock truck Mount Bracket

1. Determine the mounting location on the wall and mark the hole locations.
2. Use a 0.7 inch(18mm) drill bit and drill holes 2.75 inch(70mm) deep.
3. Insert the expansion bolts flush to the wall.

4. Attach the dock truck mount bracket and secure with expansion nut .

NOTE: The bracket must be fixed securely to the wall before hanging the fan.

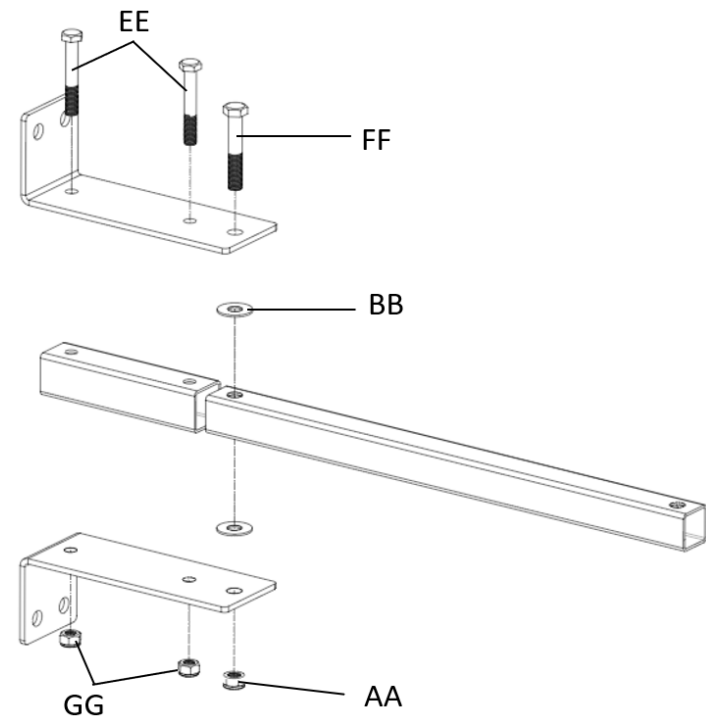
5. Put the fan onto the "U" shaped yoke, align the holes of the "U" shaped yoke and the bracket, secure with screw, washer and nut.



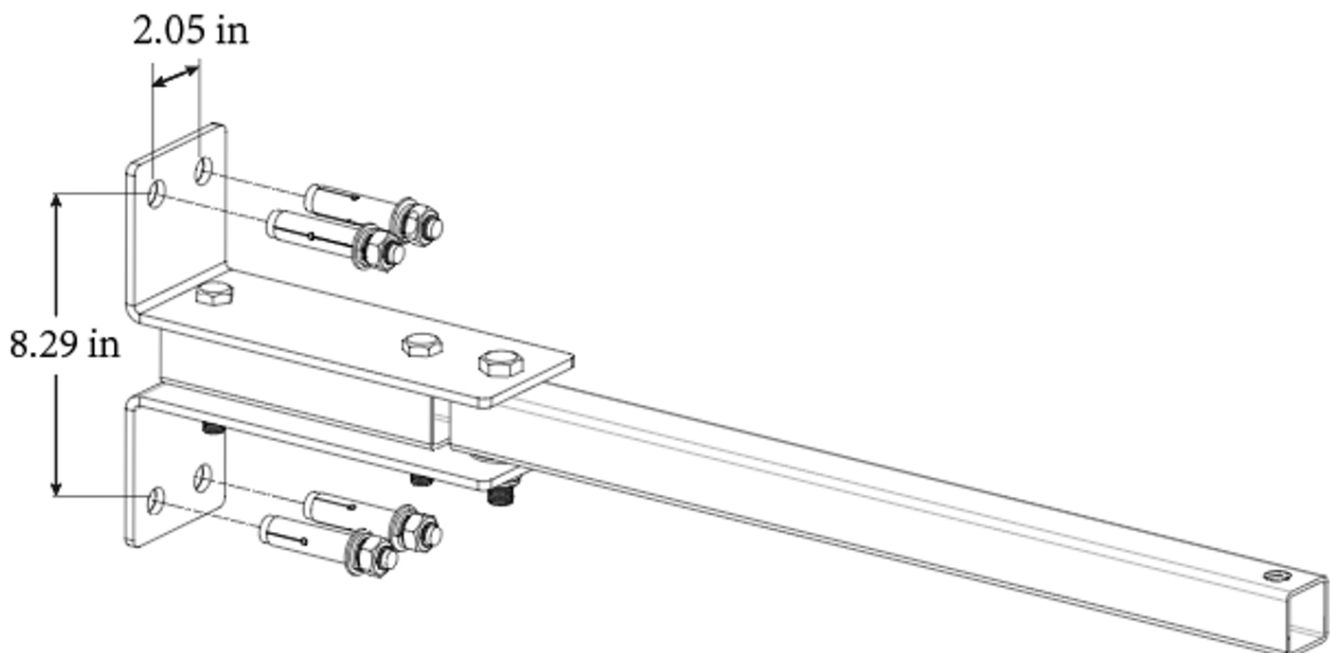
# High Velocity Dock Fan

## Mounting with Column Bracket

1. Install the column bracket and tighten the screws and nuts.



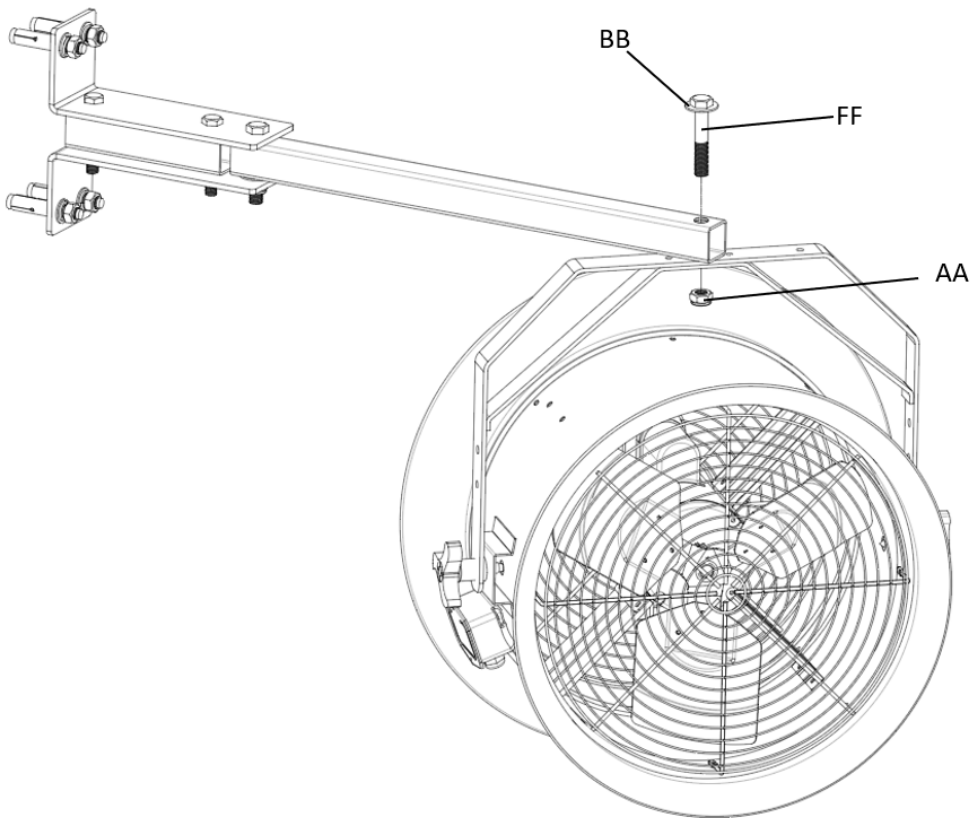
2. Determine the mounting location on the wall and mark the hole locations.
  3. Use a 0.7 inch (18mm) drill bit and drill holes 2.75 inch (70mm) deep.
  4. Insert the expansion bolts flush to the wall.
  5. Attach the column bracket and secure with expansion nut.
- NOTE: The mounting bracket must be installed securely to the wall before hanging the fan.





# High Velocity Dock Fan

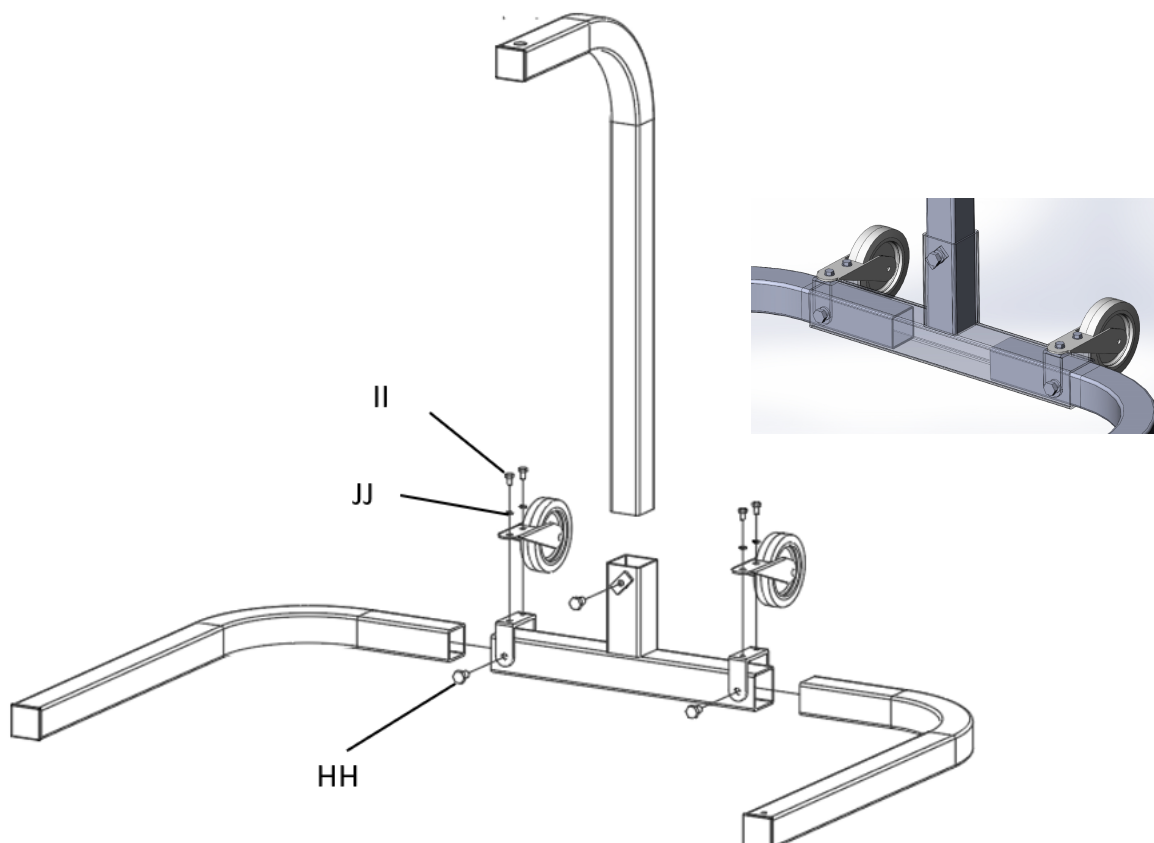
6. Align the holes of the “U” shaped yoke and the column bracket, secure with screw, washer and nut.



## Mounting with Pedestal Stroller

1. Install the pedestal stroller as follow, and tighten the screws and nuts.

Note: To reduce the risk of falling, insert the support pipe into the end of the T-shaped pipe first, and then tighten the screw.

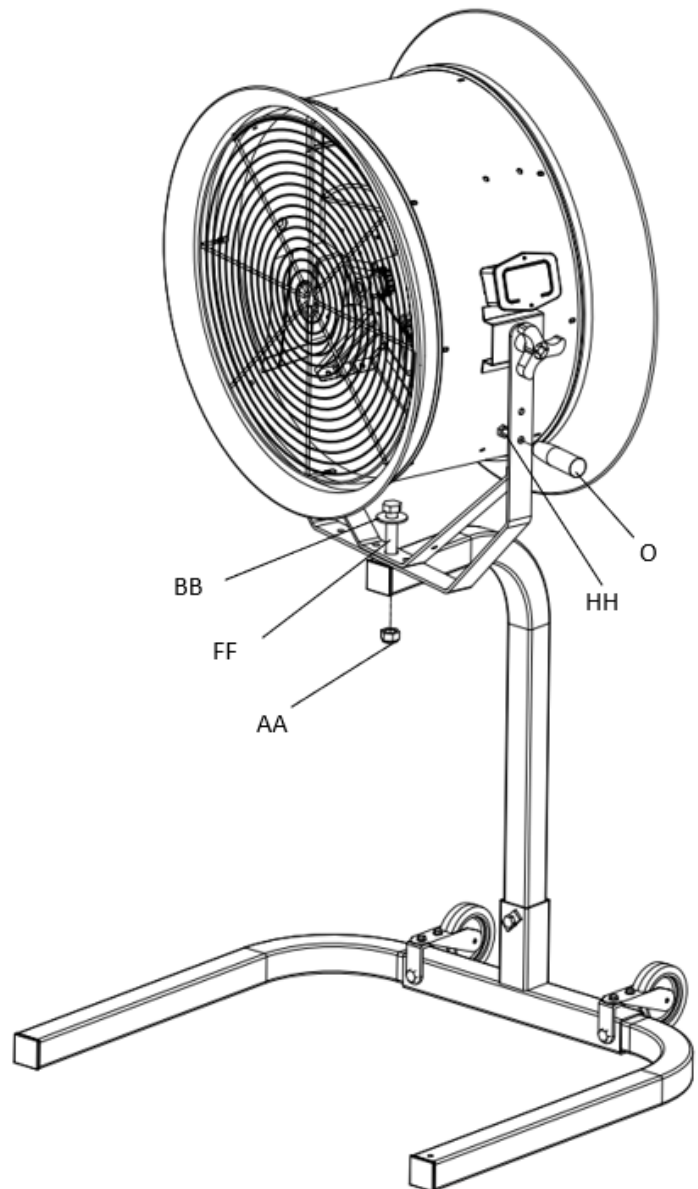


# High Velocity Dock Fan

2. Mount the dock fan to the pedestal stroller, align the holes of the “U” shaped yoke and the pedestal stroller, secure with screw, washer and nut.

3. Install the handle with screw.

Note: Make sure the motor capacitor is in the up position.



# High Velocity Dock Fan

## Maintenance



**WARNING:** Parts replacement and troubleshooting to be performed only by qualified personnel.

DO NOT depend on any switch as the sole means of disconnecting power when installing or servicing the fan. Failure to do so may result in electrical shock. Unplug the fan from the wall outlet before servicing or cleaning.

To clean the fan, use a soft damp cloth. Wipe down with a dry cloth. DO NOT use cleaners that are harmful to paints or plastics. DO NOT use gasoline, benzene, thinner, harsh cleaners, and other chemicals.

The propeller, guard, and motor should be cleaned periodically to prevent overheating, and/or operating in an imbalanced condition.

**CAUTION:** If cleaning requires the removal of a guard, remove only the front guard and re-install when finished in its originally installed position. Do not repair propeller if it becomes damaged. The propeller is accurately balanced at the factory and should be replaced if damaged. DO NOT bend the propeller. Do not repair propeller if it becomes damaged.

Motor is permanently lubricated.

## Troubleshooting

If your fan fails to operate, please follow these Instructions:

1. Make sure the fan is plugged in and the electrical outlet is working properly.
2. Check for any obstruction. If you find an obstruction, turn the fan "OFF". Unplug the fan and carefully remove the obstruction.

Plug the fan in and turn it on again. It should resume normal operation.

**NOTE: IF YOU EXPERIENCE A PROBLEM WITH YOUR FAN, PLEASE DO NOT ATTEMPT TO OPEN OR REPAIR THE FAN YOURSELF. DOING SO COULD CAUSE DAMAGE THE FAN AND/OR CAUSE PERSONAL INJURY.** Always consult Global Industrial before further use.