

# Installation

## S19-125BF

## S19-125FMBF

### Barrier Free Recess-Mounted Drench Shower

#### Table of Contents

Safety Information . . . . .	2
Supplies Required . . . . .	3
Assembly of Components . . . . .	3
Service Parts . . . . .	3
Cabinet Dimensions . . . . .	4
Rough-Ins . . . . .	5
Installation . . . . .	6-7



**Read the instructions in this manual before beginning installation. Save these instructions and refer to them for inspection, maintenance and troubleshooting information.**

For questions regarding the operation, installation or maintenance of this product, visit [bradleycorp.com](http://bradleycorp.com) or call 800.BRADLEY (800.272.3539).

Product warranties and parts information may also be found under “Products” on our web site at [bradleycorp.com](http://bradleycorp.com).



## Safety Information

### To ensure proper operation:

#### Installation

This fixture has been designed and 3rd party tested to meet ANSI/ISEA Z358.1. The system must be tested periodically to be sure it is functioning properly to meet the standard. Please refer to the ANSI/ISEA Z358.1 standard on testing requirements.

The installation, maintenance and location of all safety drench showers, eye and eye/face washes must comply with the requirements of ANSI/ISEA Z358.1. Workers who may come in contact with potentially hazardous materials should be trained regarding the location and proper operation of emergency equipment per ANSI/ISEA Z358.1.

ANSI/ISEA Z358.1 requires this unit to be used with a clean, potable, uninterrupted supply of tepid water. Bradley plumbed emergency fixtures require a minimum of 30 psi flowing pressure in order to function as designed and meet the ANSI/ISEA Z358.1 standard.

Before installation make sure that this equipment will meet the requirements of the potential hazardous contaminants in your location.

Installation of this system must be completed by a qualified plumber in compliance with all national and local codes. Compliance and conformity to drain requirements and other local codes and ordinances is the responsibility of the installer.

#### Weekly Inspections

To ensure all emergency shower and eye/face wash fixtures are ready to be used when needed, regular checks and maintenance must be conducted. Weekly inspections must be conducted on all safety equipment to make sure a suitable flushing fluid supply is present and to make sure the equipment is in good operating condition.

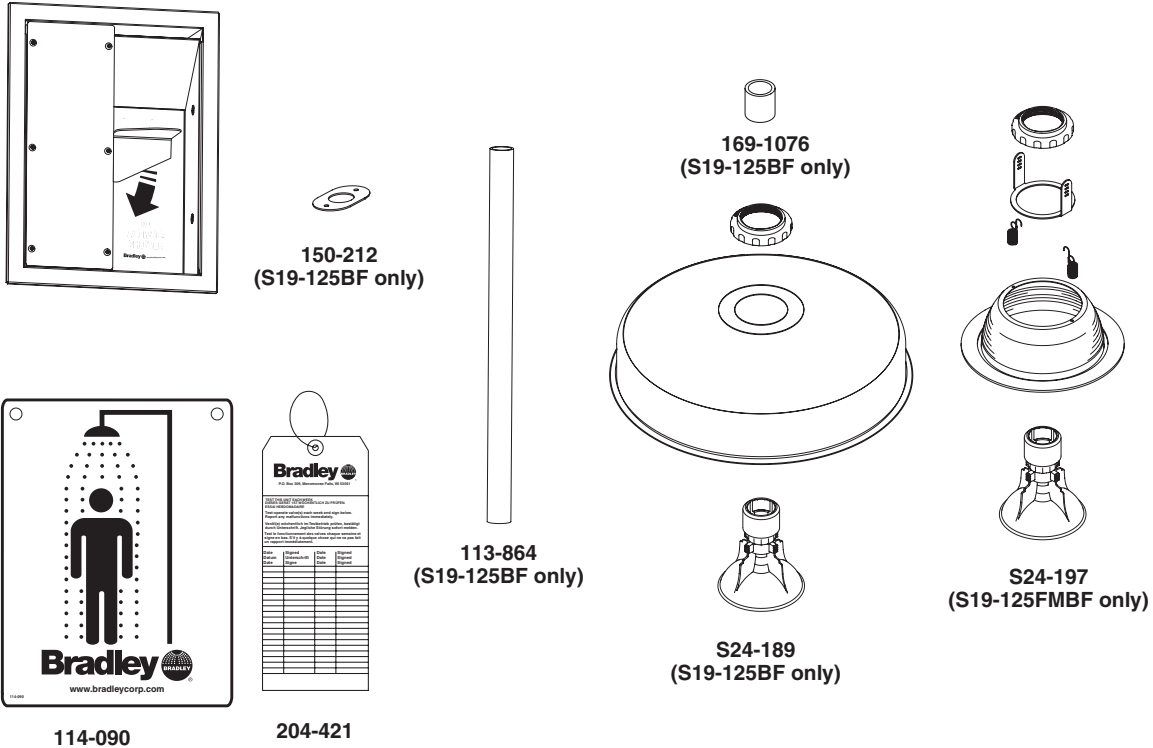
#### Water Temperature

ANSI/ISEA Z358.1 requires tepid water. Suitable range is 60°F to 100°F (16°C to 38°C). Personal injury is possible outside this temperature range.

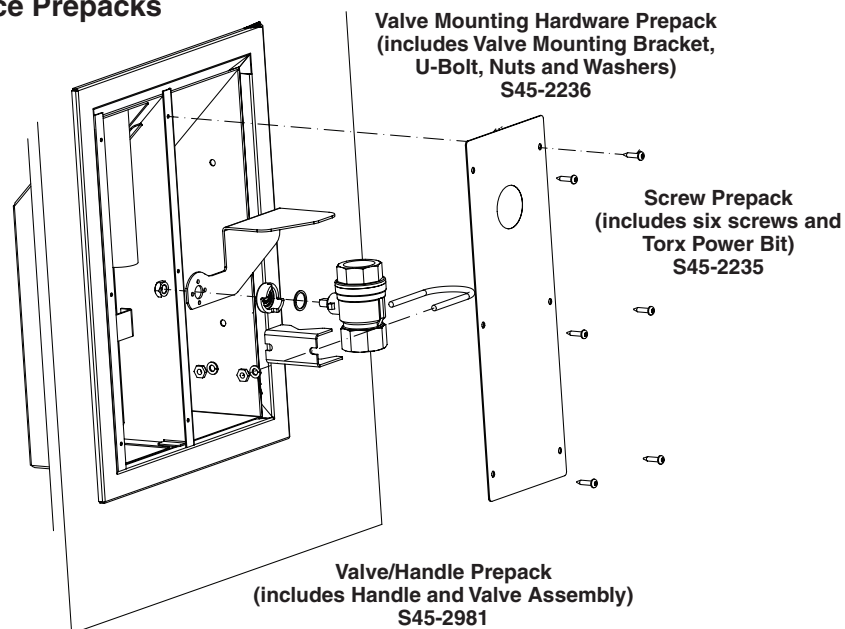
## Supplies Required

- Teflon tape and Pipe sealant
- Piping to 1" NPT water supply inlet on unit
- Adequate supply pipe supports
- Hardware to mount escutcheon to ceiling
- Minimum 4" (102 mm) drain to accommodate 30 gallons per minute discharge for drench shower waste
- Sign-mounting hardware

## Assembly of Components and Parts List

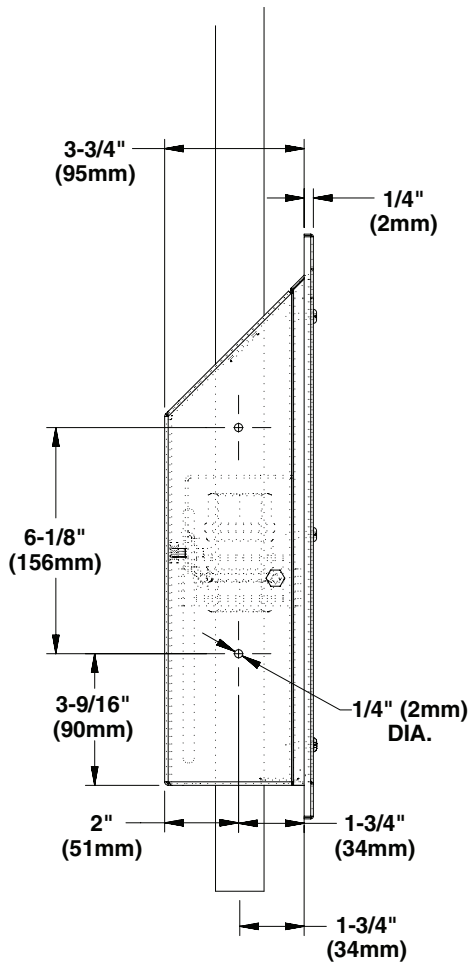


## Service Prepacks

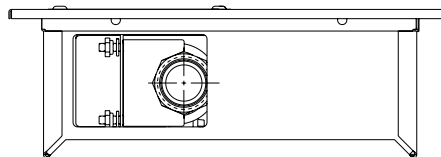
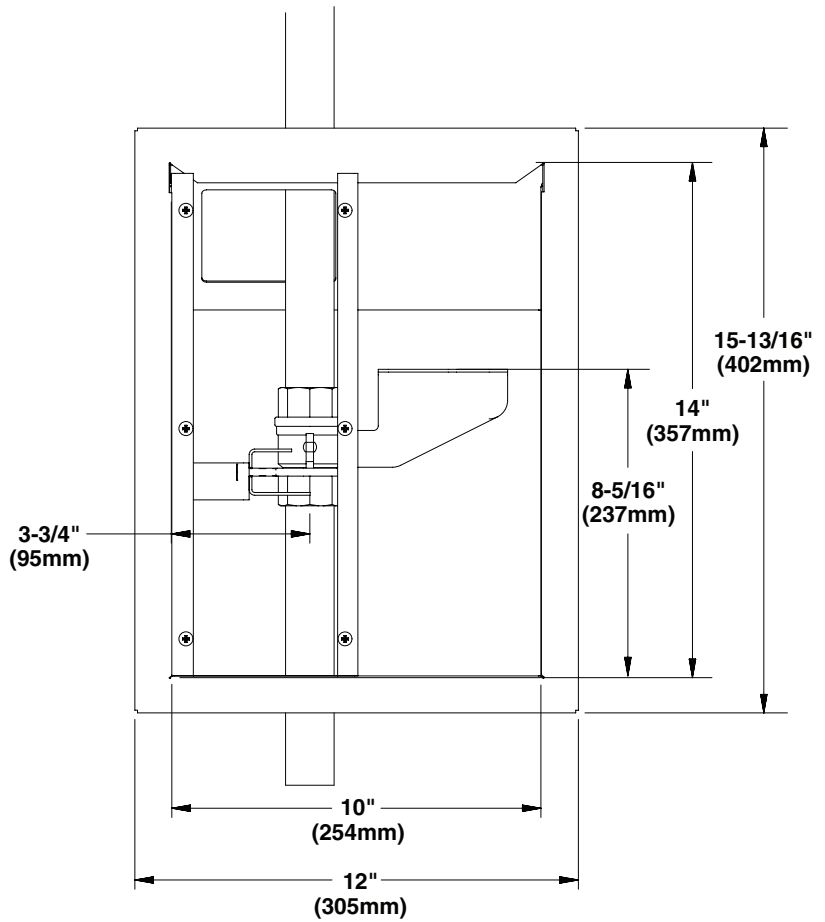


# S19-125 Series Cabinet Dimensions

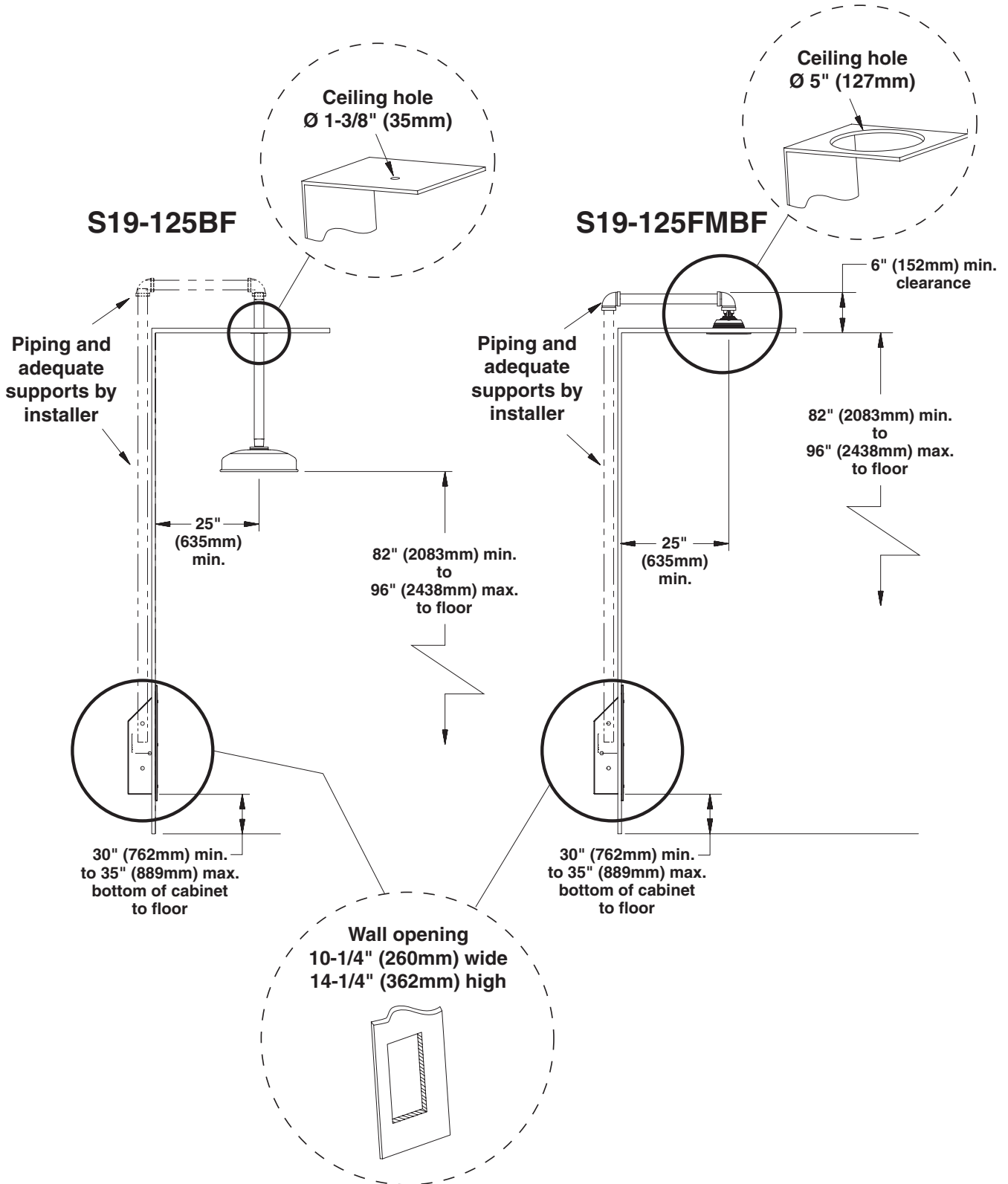
Side View



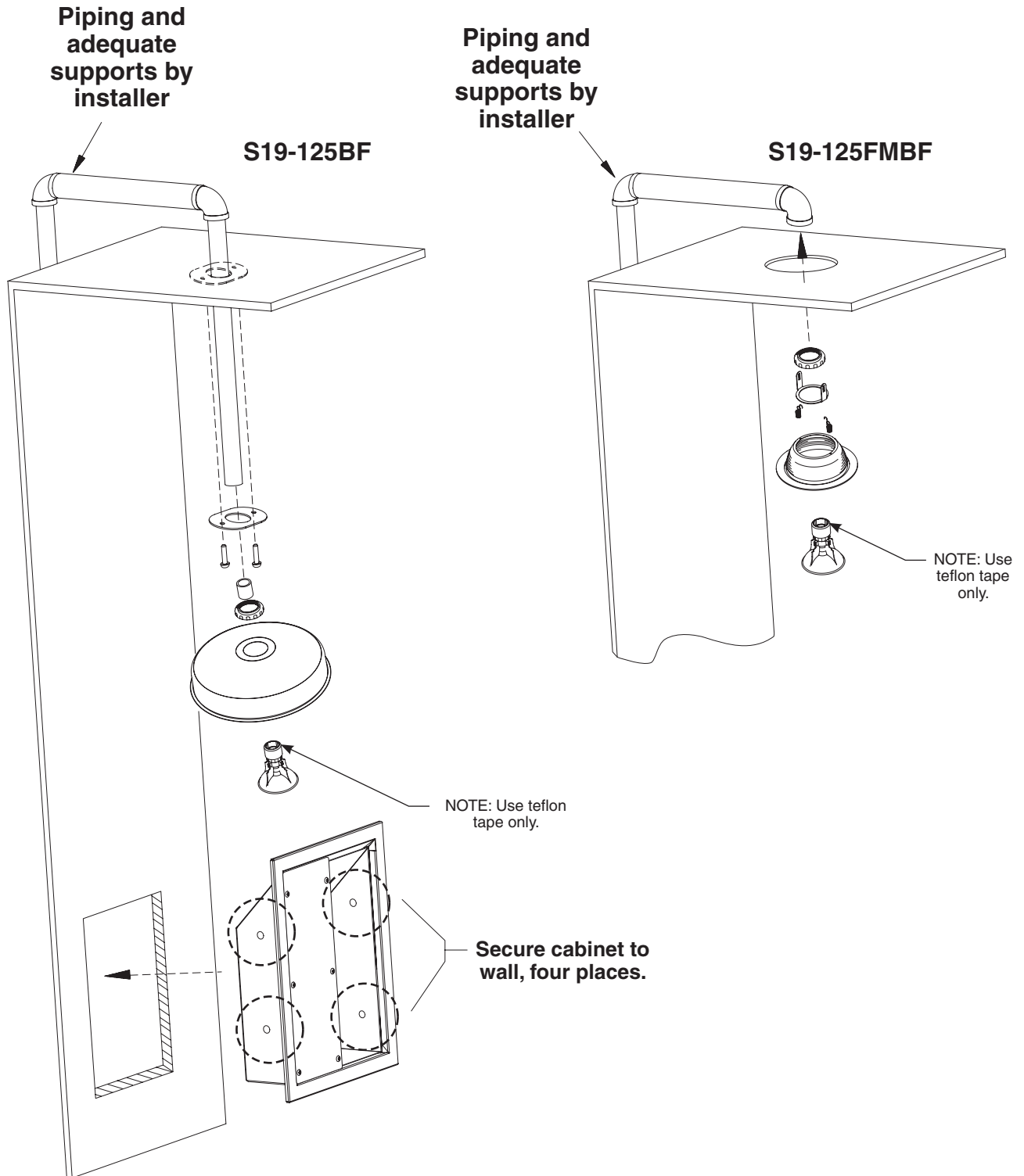
Front View



# 1 Rough-ins



## 2 Installation



### 3 Connect Water Supply

