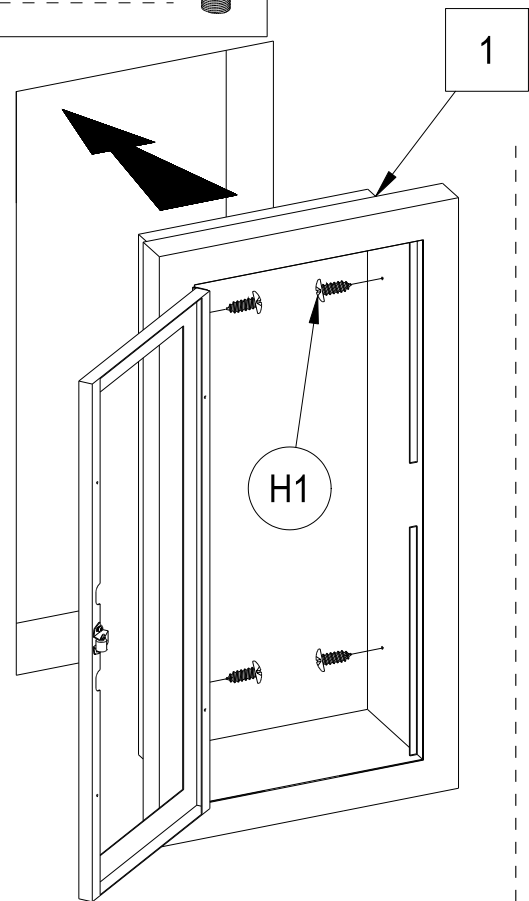
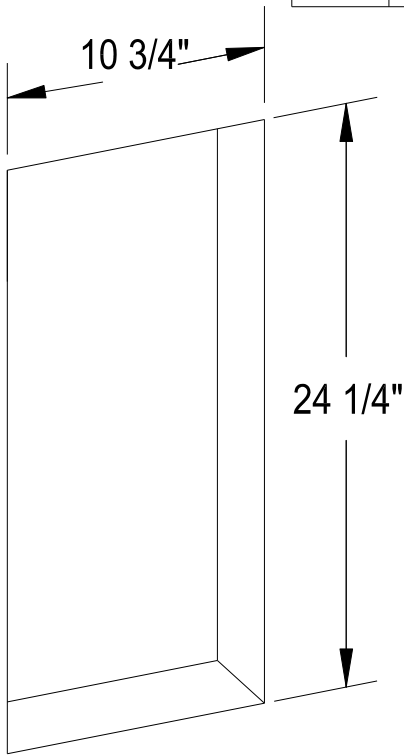


Fire Extinguisher Cabinet

Semi Recessed 5.5" D

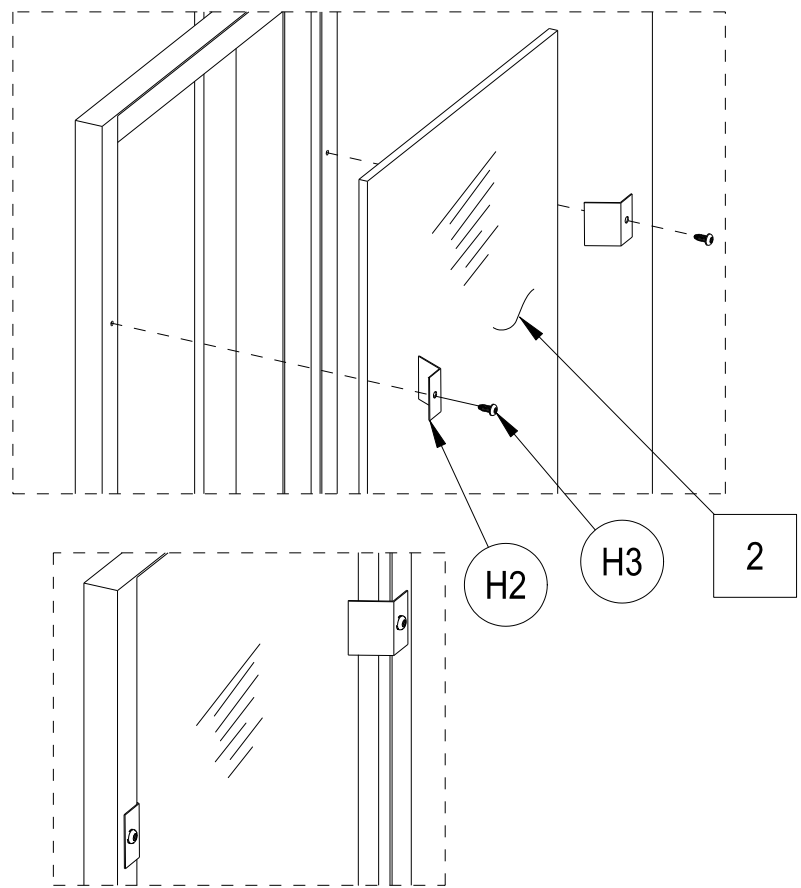
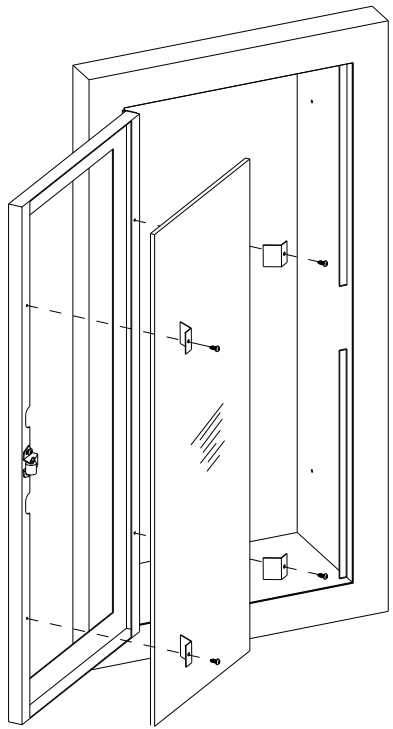
Model 724202

Contents		
Ref.	Qty.	Description
1	1	Cabinet
2	1	Door Glass
H1	4	#10 x 1 1/2" Lg. Wood Screw
H2	4	Holder
H3	4	#6 x 1/2" Lg. Phillips Pan Head Screw
H4	1	Handle
H5	2	M4 x .07 x 12mm Lg. Phillips Pan Hed Screw

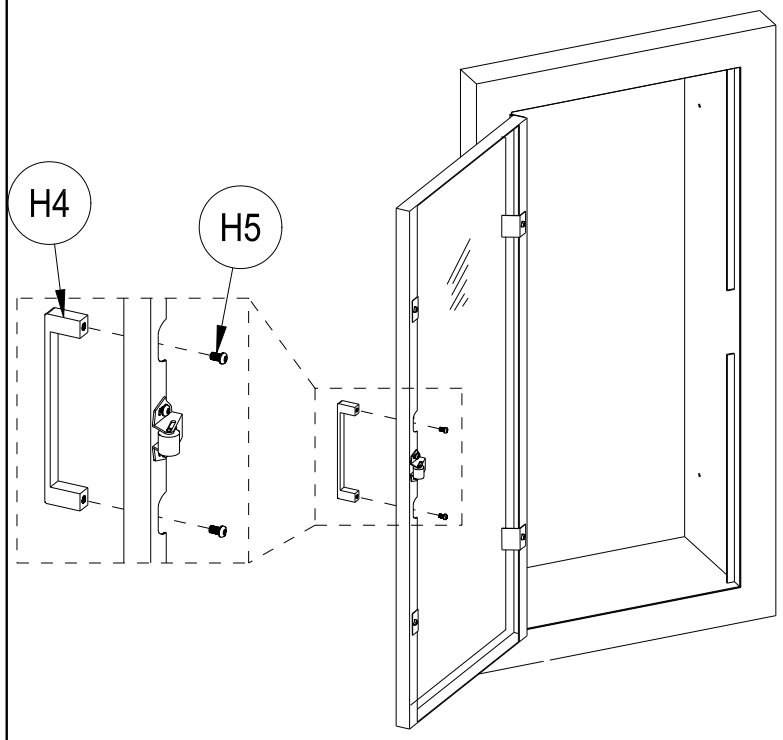


1 Prepare opening in wall next to studs with dimensions shown

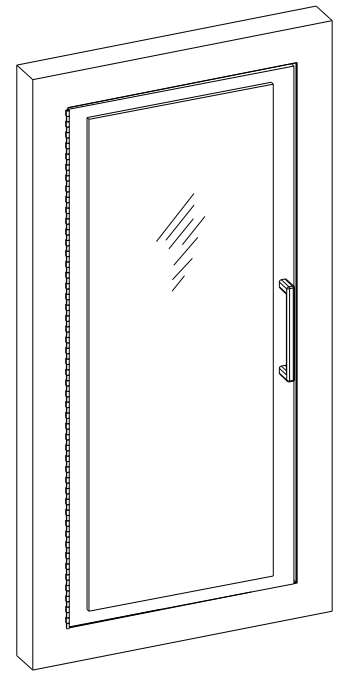
2 Insert cabinet into opening and secure to studs with the (4) screws provided



3 Align glass to inner door frame and attach with hardware provided



4 Attach door handle to door



5