



GLOBAL INDUSTRIAL™

We can supply that.®

User's manual

Manual del usuario

Manuel de l'utilisateur

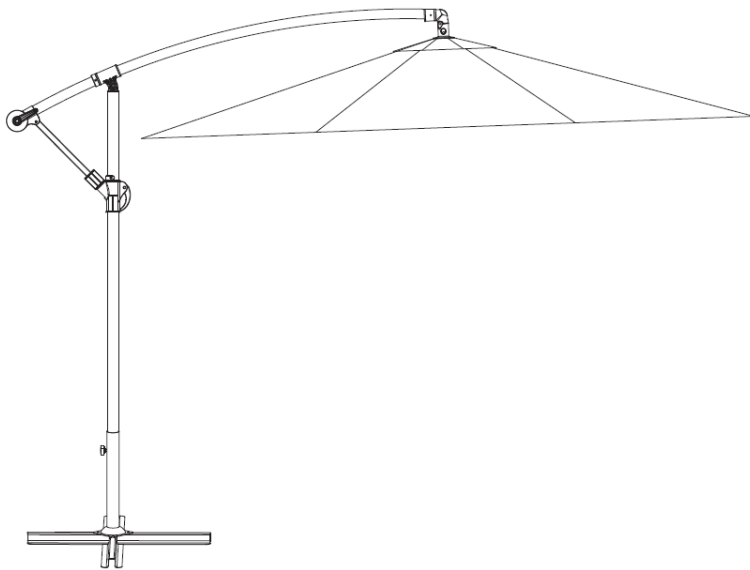
Customer Service
US: 1-800-645-2986

Servicio de atención al Cliente
US: 1-800-645-2986

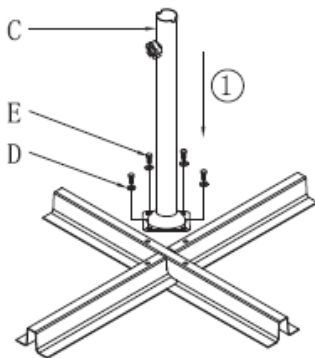
Service à la clientèle
Canada: 888-645-2986

10' Cantilever Umbrella

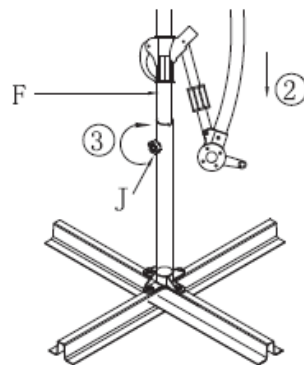
Model(s): 436972RD, 436972TN, 436972BL, 436972NV, 436972GN



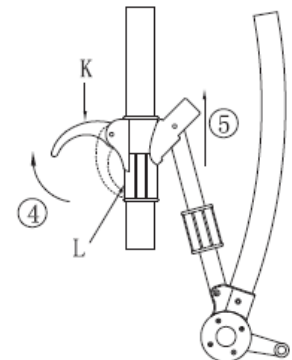
A	1		D	4	
B	1		E	4	
C	1		F	1	



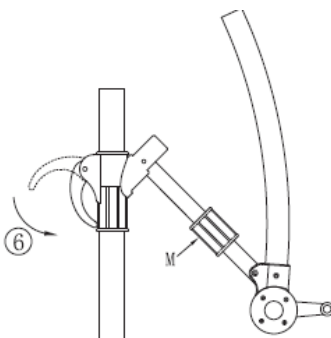
1. Form a cross by placing part B on top of A. Then attach part C onto the cross by using bolts E and washers D.



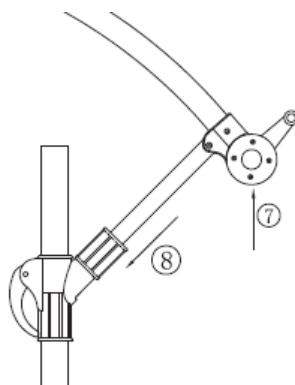
2. Loosen knob J on part C and insert umbrella F into part C. Then tighten knob J.



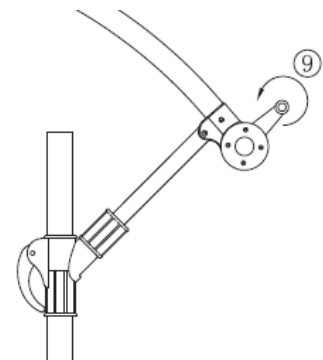
3. Release handle K upwards to adjust the height of the umbrella.



4. Close handle downwards to restrict height of umbrella.



5. Lift cantilever upwards and fit part M down into the node at the bottom.



6. Crank the reel to open the umbrella. Reverse the crank to close the umbrella.