

# LABELMATE USA

Label Handling Innovations

Rewinders • Slitters • Dispensers • Applicators • Unwinders  
Print Mechanisms • Counters • Core-Chucks • Splicers



## DISTRI-COUNT

Counter / Dispenser

User Manual

# DISTRI-COUNT

Unique Label Counter/Dispenser that simultaneously counts and dispenses unpeeled labels on a tear-off bar. The softkey control panel and large display make the DISTRI-COUNT extremely easy to operate. Once the requested number of labels is counted/dispensed, the DISTRI-COUNT can immediately repeat the action or be reprogrammed to count/dispense a new number of labels.

## DIMENSIONS

- H x W x D: 8.75" x 9" x 11.5" (232 x 295 x 222-mm)

## MEDIA

- Alignment: left aligned
- Max roll diameter: 8" (220 mm)
- Core diameter: 1" - 4" (25 - 101-mm)
- Max width : 4.5" (115-mm)
- Min width: 0.4" (10-mm)
- Thickness: 0.003" - 0.007" (0.08 - 0.17-mm)
- Backing Paper: Tearable for use on the tear-off bar
- Max label length: 7.87" (200-mm)

## GENERAL

Power Supply: SYS1548-6515-T3 (PS-1545)

100-240V - 50/60Hz. Output 15VDC 4.33A

Limited Warranty: 3 Years Parts & labor, 1 Year on Power Supply

## THIS MANUAL IS VALID FOR THE FOLLOWING PRODUCTS:

P/N	MODEL	DESCRIPTION
50-269-0001	DISTRI-ST	DISTRI-COUNT with standard label sensor for opaque labels.
50-269-0002	DISTRI-U	DISTRI-COUNT with label sensor for transparent and black marked labels.

## IMPORTANT INFORMATION / SAFETY INSTRUCTIONS

- This product is a Label Counter/Dispenser. It should be used only to count labels of the recommended dimensions and weight in an indoor, dry environment.
- Unplug the power cord prior to any manipulation.
- Use on a flat surface only.
- Ensure sufficient ambient light within the working area.
- The unit can be used in ambient temperatures of 35° to 105° F. (2° to 40° C)
- Connection of the Winder to the power source must comply with all local regulations.
- Special caution in cleaning-mode: Access to moving parts can be dangerous! Wearing safety gloves recommended.
- Do not use sharp objects or tools to clean the unit as they can damage the rubber platen roller.

---

**NOTE: Figures referenced below can be seen on Page 4**

## **STEP 1 : LOADING THE MEDIA ROLL**

- Remove the media roll guide and media path guide. (1 & 3)
- Open the mechanism cover. (7)
- Load the media as displayed and put the guides back. (FIG.3)
- Load the labels until they are approximately 0.4" out of the DISTRI-COUNT (FIG.4)
- Close the mechanism cover again. (FIG.4)

## **STEP 2 : AUTOMATIC CALIBRATION**

- Adjust the sensor position (4) with the adjustment knob (5) so it is able to detect your labels and the label gap or a black-mark on the liner material.
- Switch on the power to start the automatic calibration of the label size.
- The DISTRI-COUNT presents the first label precisely on the TEAR-OFF-BAR (8) and is now ready for use.
- Opening and closing the mechanism cover (7) will initiate a new calibration process.

## **PRESET MODE: COUNTING FIXED NUMBER OF LABELS**

- Use the 4 arrow buttons (FIG.1) on the control panel to set the desired number of labels and then press the START/STOP button.
- The DISTRI-COUNT now presents the requested number of labels on the TEAR-OFF-BAR. Tear-off downwards.
- The DISTRI-COUNT counter resets to the initial requested quantity for a new job. Press START/STOP to repeat. If you want a number of labels, press the CLEAR button and enter the new desired number.

## **COUNT MODE: COUNTING LABELS ON ROLL**

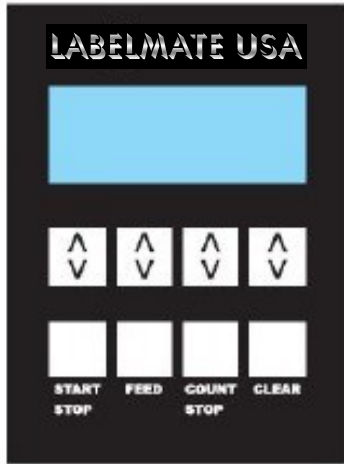
- Make sure the DISTRI-COUNT Display is on "0000" by pressing the CLEAR button or initiating a new calibration.
- Press the COUNT/STOP button to start counting.
- Press the COUNT/STOP button again for pausing/counting.

## **OBTAINING THE TOTAL COUNT & RESETTING THE COUNTER**

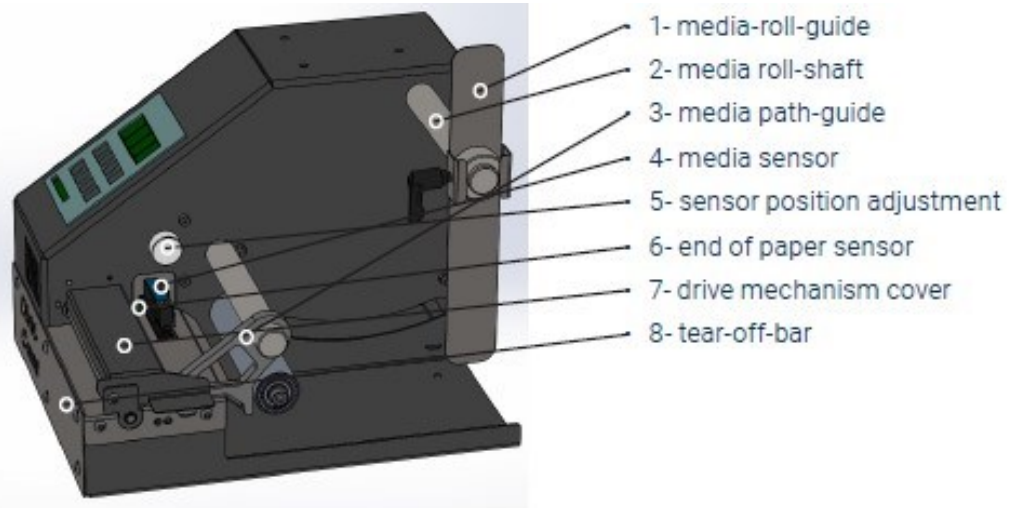
- Press and hold the CLEAR button on the keypad. After 2 seconds the display will show the total job quantity.
- To reset the count to zero, press and hold the CLEAR button for 2 seconds and press the arrow key just above.

## **MAINTENANCE**

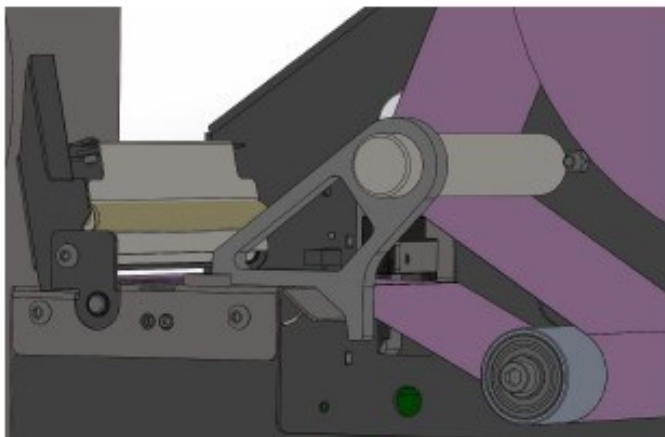
- In the event of dust or adhesive build-up on the platen roller or other parts of the driving mechanism, use a dust-free wipe/tissue with isopropyl-alcohol to clean.
- For easy cleaning, power-off. When powering back on, press and hold the feed button; platen roller now turns with open cover. **WARNING:** Direct access to rotating parts can be dangerous. Do not touch parts unless the machine is powered off and unplugged.



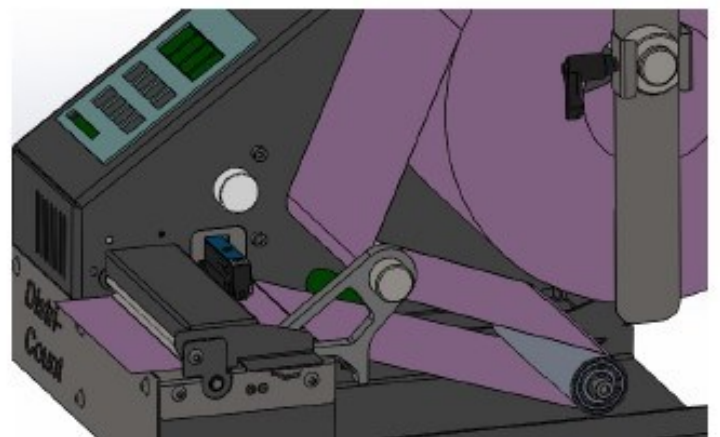
**FIG. 1**  
Control Panel



**FIG. 2**  
Parts Identifier



**FIG. 3**  
Media Path



**FIG. 4**  
Label Exit and Mechanism Cover



# PRODUCT LIMITED WARRANTY

WARRANTY PERIOD	PRODUCTS COVERED
5-Years	<ul style="list-style-type: none"><li>◇ “CAT” and “Mini CAT” Label Rewinders.</li><li>◇ “UCAT” Label Unwinders.</li></ul>
3-Years	<ul style="list-style-type: none"><li>◇ Label Counters (<i>Excluding Counter Displays and Encoders</i>)</li><li>◇ Label Dispensers (<i>Excluding Counter Displays</i>)</li><li>◇ Label Slitters (<i>Mechanical Parts Only - excluding Counter Displays</i>)</li><li>◇ Reel-to-Reel Machines (<i>Excluding Counter Displays and Encoders</i>)</li><li>◇ Print Mechanisms (<i>Excluding Counter Displays and Encoders</i>)</li><li>◇ Label Applicators (<i>Excluding Polyurethane Rollers</i>)</li><li>◇ Quick-Chucks</li></ul>
1-Year	<ul style="list-style-type: none"><li>◇ Power Supplies, AC/DC Adaptors and Transformers</li><li>◇ Counter Displays</li><li>◇ Encoders</li><li>◇ Any other products or parts not specified herein</li></ul>
180 Days	<ul style="list-style-type: none"><li>◇ Out-of-Warranty Repairs</li></ul>

Labelmate USA warrants to the original end-user customer that Labelmate USA products will be free from defects in materials and workmanship for the duration described herein below. Labelmate USA's Limited Warranty covers only those defects that arise as a result of normal use of the products and does not cover any other problems, including those that arise as a result of: (i) improper maintenance or modification; (ii) parts or supplies not provided or supported by Labelmate USA; (iii) operation outside the products' specifications; or (iv) unauthorized repair, modification or misuse. Use of any unauthorized accessory or attachment will void coverage.

The Warranty period for all products commences the date of shipment from Labelmate USA and accrues to the original end-user customer. Warranty coverage is non-transferable and terminates immediately upon rental, resale or any other change in ownership. Original purchase documentation must be retained for coverage verification.

In the event Labelmate USA substantiates, during the applicable Warranty period, a defect in any product which is covered by Labelmate USA's Warranty, Labelmate USA shall repair or replace the product, at Labelmate USA's option. Labelmate USA retains sole discretion to determine whether or not a product is defective. In no event shall Labelmate USA have any obligation to repair or replace until the customer returns the defective product to Labelmate USA. The customer assumes any and all responsibility and liability associated with transportation of products for service under this Warranty.

In the event your product requires service or you have questions regarding Warranty coverage, please call toll-free (877) 833-7149 inside the United States, or +1 (702) 435-8535 outside the United States.

LABELMATE MAKES NO OTHER WARRANTY OF ANY KIND, WHETHER EXPRESS OR IMPLIED WARRANTIES OR CONDITIONS OF MERCHANTABILITY, SATISFACTORY QUALITY, AND/OR FITNESS FOR A PARTICULAR PURPOSE. NO OTHER PERSON, AGENT, DEALER OR RESELLER IS AUTHORIZED TO GIVE ANY WARRANTIES ON BEHALF OF LABELMATE. ANY OBLIGATION TO WARRANTY OTHER THAN THAT SPECIFICALLY ADDRESSED HEREIN IS DISCLAIMED.

# LABELMATE USA

Toll Free: 877.833.7149

Direct: 702.435.8535

info@labelmateusa.com

12A Sunset Way  
Henderson, NV 89014

www.labelmateusa.com