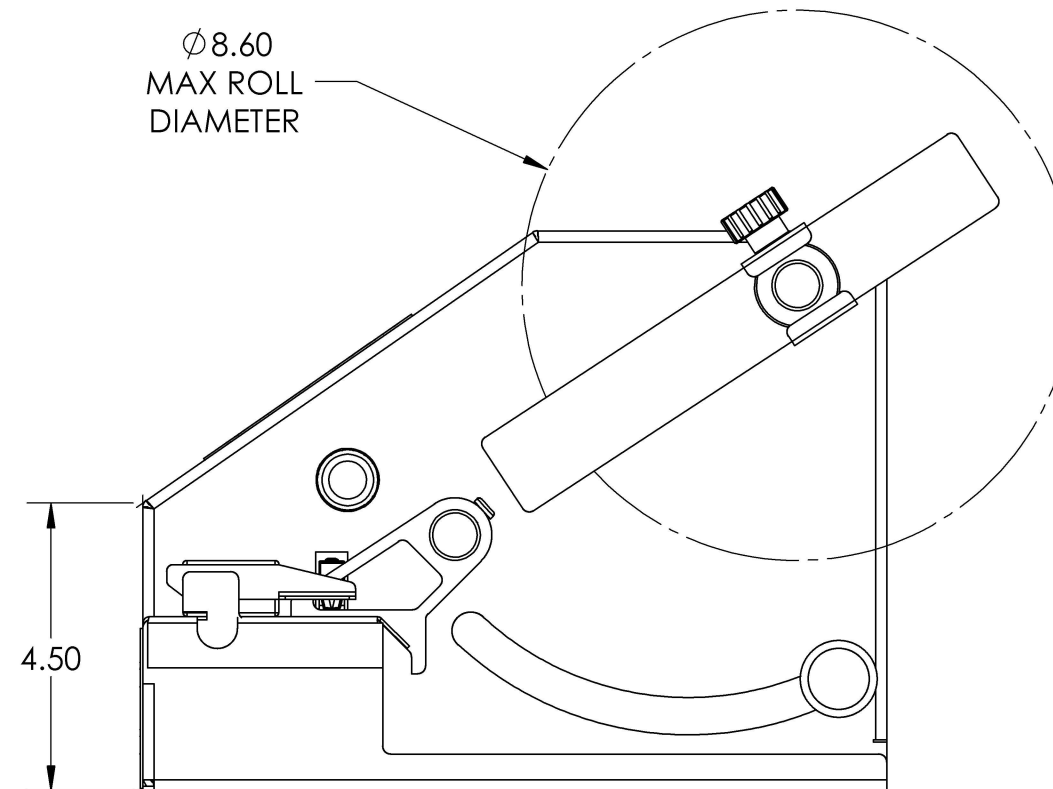
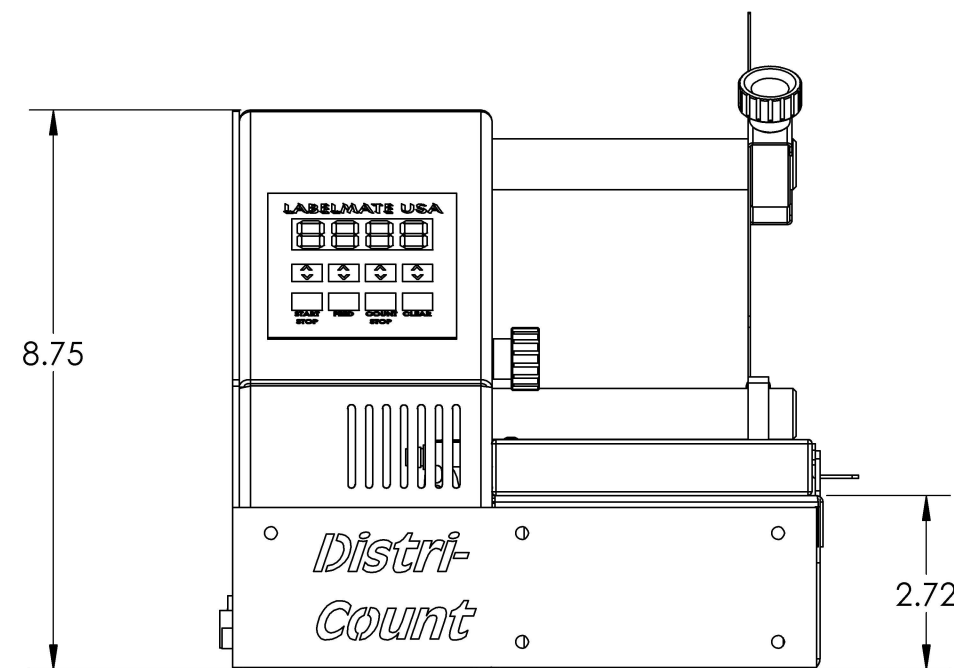
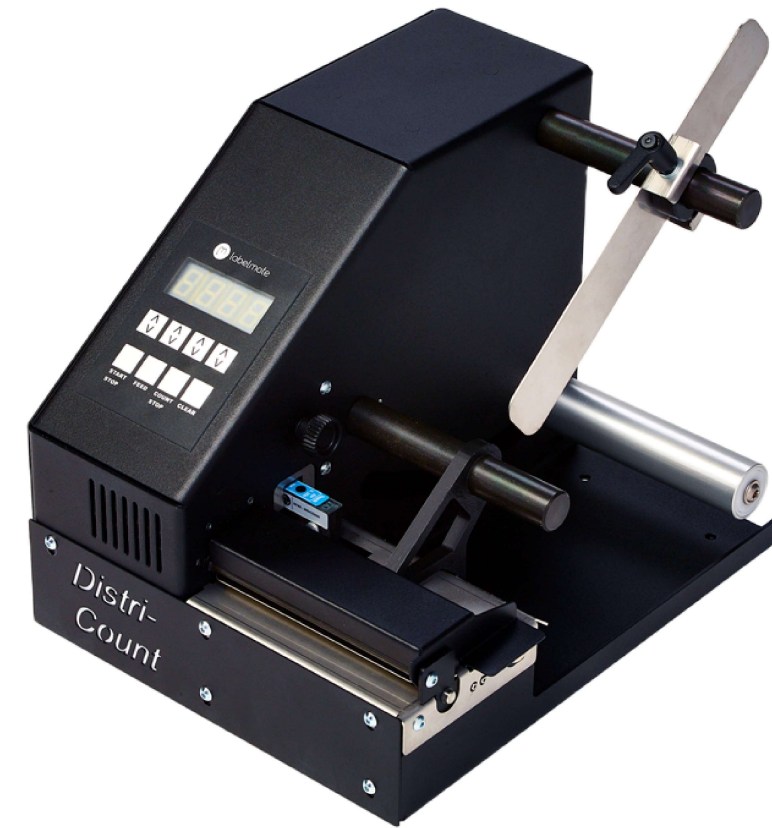
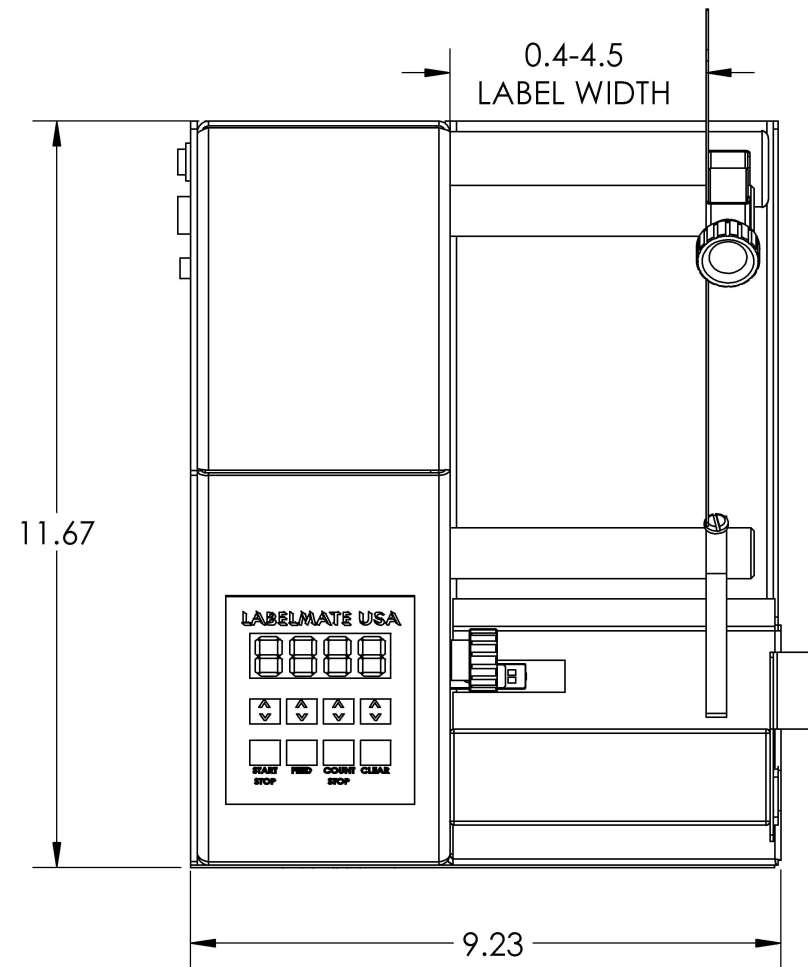


**NOTES:**

Combination Label Dispenser/Counter for Opaque Labels.

- Label Type: Opaque
- Max. Label Width: 4.5" (115mm)
- Max. Roll Diameter: 8.5" (220mm)
- Max. Label Length: 7.85" (200mm)
- Softkey control panel with large display
- Adjustable sensor position for various label shapes
- Automatic calibration and web-tension control
- Finish: Black powder-coated steel
- Warranty: 3-Year Parts & Labor Limited Warranty



ITEM ID:		
<b>DISTRI-COUNT</b>		
DRAWN BY: TAH	DATE: 2/1/2023	PART NO. 50-269-0001
POWER SUPPLY:		INPUT: 100-240VAC 1.5A MAX
PART NO. PS-1560		OUTPUT: 15VDC 4.0A