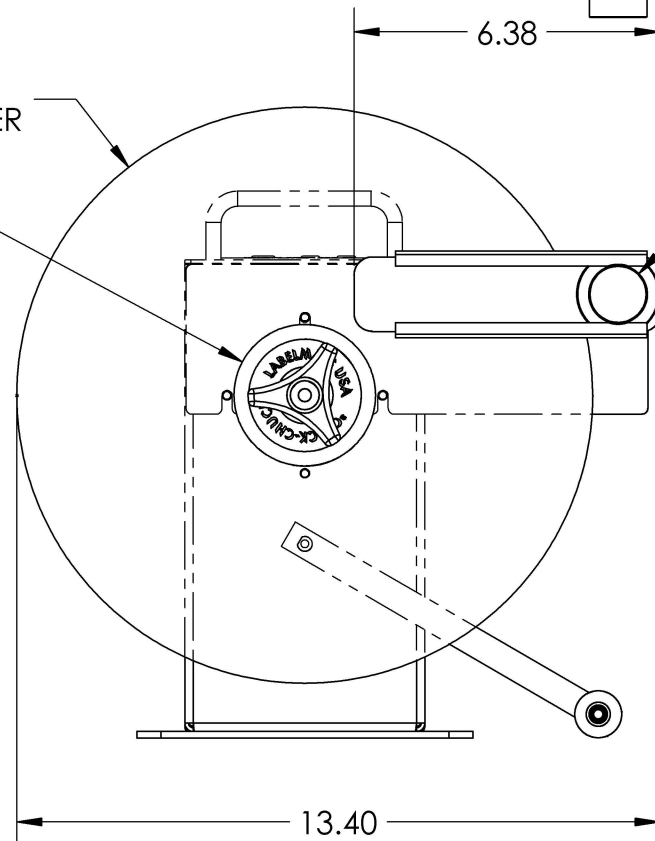


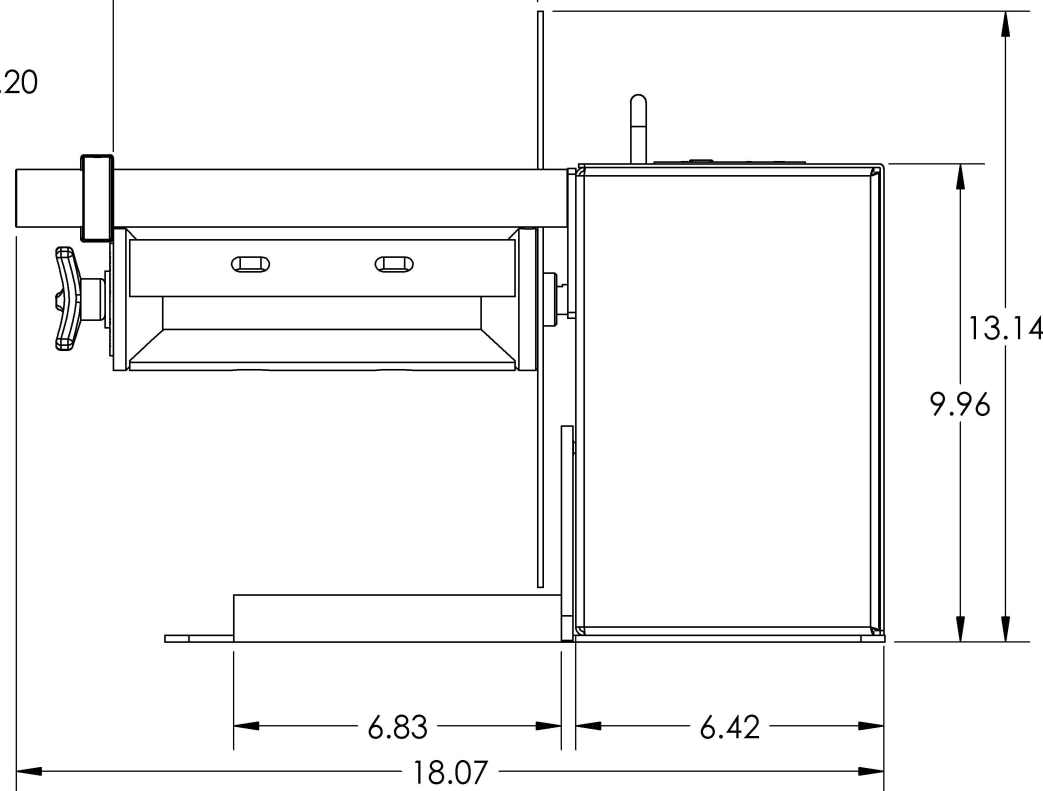
Ø 12.00
MAX ROLL DIAMETER

Ø 3.00
CORE DIAMETER



Ø 1.20

8.50
MAX MEDIA
WIDTH



NOTES:

Universal "Smart"
 Rewinder/Unwinder for media up
 to 8.5" wide.

- Max. Roll Diameter: 12" (305mm)
- Core Diameter: 3" (76mm)
- Core Holder: Mechanical Chuck
- Max. Media Width: 8.5" (216mm)
- Bi-directional "smart" Rewinder/Unwinder – Synchronized with Printer
- Automatic responsive speed control – Synchronized with Printer
- Speed up to 50 inches/sec (125cm/sec)
- Rewind tension control
- Automatic stop at end of roll
- Full 5-Year Parts & Labor Limited Warranty

ITEM ID:

UNI-CAT-CHUCK-220

DRAWN BY: TAH	DATE: 2/1/2023	PART NO. 80-203-0084
------------------	-------------------	-------------------------

POWER SUPPLY: INPUT: 100-240VAC 1.5A MAX
 PART NO. PS-1545 OUTPUT: 15VDC 4.33A