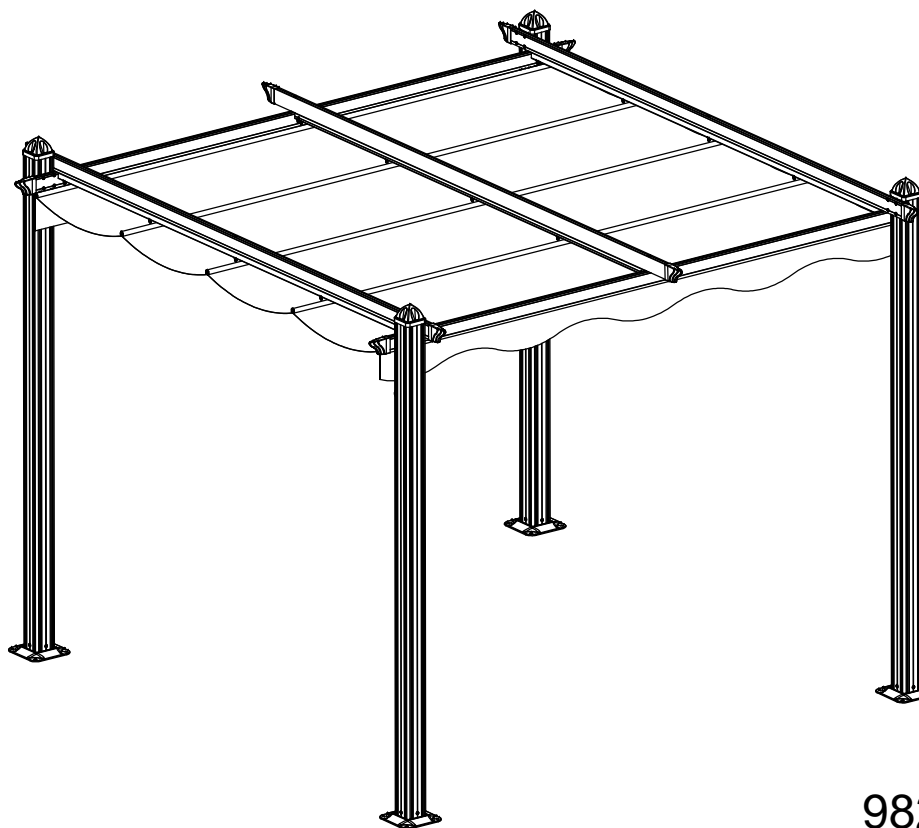


PERGOLA

Instruction manual

size/cm:292x292x228

size/inch:115x115x90



9820301

IMPORTANT

You must read these instructions carefully before you start to assemble this PERGOLA .Please ensure that you find all parts in the carton box in the correct type and quantity as mentioned in the list illustrated in every page accordingly.

Please carry out the steps in the order set out in these instructions.

Do not tighten the steps until completing assembly of all parts.

Keep these instructions in a safe place for future reference.



IMPORTANT

If you have any problems with this product, please

DO NOT RETURN THIS ITEM

To the Retailer/Store from where you purchased the product.

Please email us anytime with the nature of the problem at:

ContactUs@Hanover-Products.com

Please include:

- Pictures of the issue(s) and receipt (if available)
- Name and address of the Purchaser
- Name of retailer

Or call our Customer Service team between 9:00 AM and 5:00 PM Eastern Time,
Monday through Friday at:

1-877-397-5144

or visit our website at:

www.Hanover-Products.com

To expedite any future warranty claims, please retain your receipt for future use.

For additional on-line support on assembly, troubleshooting and care & maintenance of your outdoor product, please visit our website at: **www.Hanover-Products.com**.

SAFETY ADVICE

We strongly recommend the use of work gloves during assembly.
Do not attempt to assemble the PERGOLA in windy or wet conditions.
Do not touch overhead power cables with the aluminum profiles.
Always wear shoes and safety goggles when working with extruded aluminum.
Dispose of all plastic bags safely and keep them out of reach of children.
The PERGOLA must be positioned and fixed on a flat level surface.
Do not lean against or push the PERGOLA during construction.
Keep children away from the assembly area.
Do not position your PERGOLA in an area exposed to excessive wind.
Do not attempt to assemble this PERGOLA if you are tired, have taken drugs or alcohol or if you are prone to dizzy spells.
If using a step ladder or power tools ensure that you follow the manufacturer's safety advice.
Hot items such as recently used grills, blowtorches etc. must not be stored in the PERGOLA.
Ensure there are no hidden pipes or cables in the ground before inserting the pegs.

GENERAL ADVICE

This is a multi-part assembly, Allow at least 1.5 hours for assembly.
Selecting a site-choose a sunny level position away from overhanging trees.
If you are fixing your PERGOLA directly to a solid concrete foundation use the predrilled holes in the metal base supplied.
The component parts should be checked and laid out close to hand.
Keep all small parts(screws etc) in a bowl so they do not get lost.
Note that the door is hinged on the right hand side and therefore opens to the right.
Keep roof clear from snow and leaves.

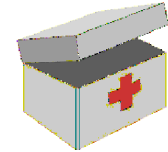
CARE & MAINTENANCE

When your PERGOLA needs cleaning, use a mild detergent solution and rinse with cool clean water.
Do NOT use acetone, abrasive cleaners or other special detergents to clean the fabric.

TOOLS & EQUIPMENT REQUIRED

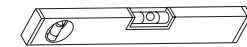
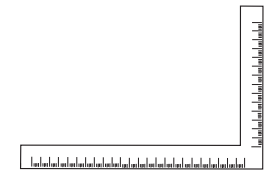
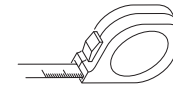
Protective Equipment:

1. Helmet
2. Glove
3. Long Sleeve Cotton Overalls
4. Emergency Medicine Cabinet
5. Eye Shield



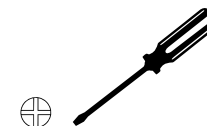
Measurement Tools

1. Tape Measure (16.4 Feet)
2. Angle Square
3. Level Meter



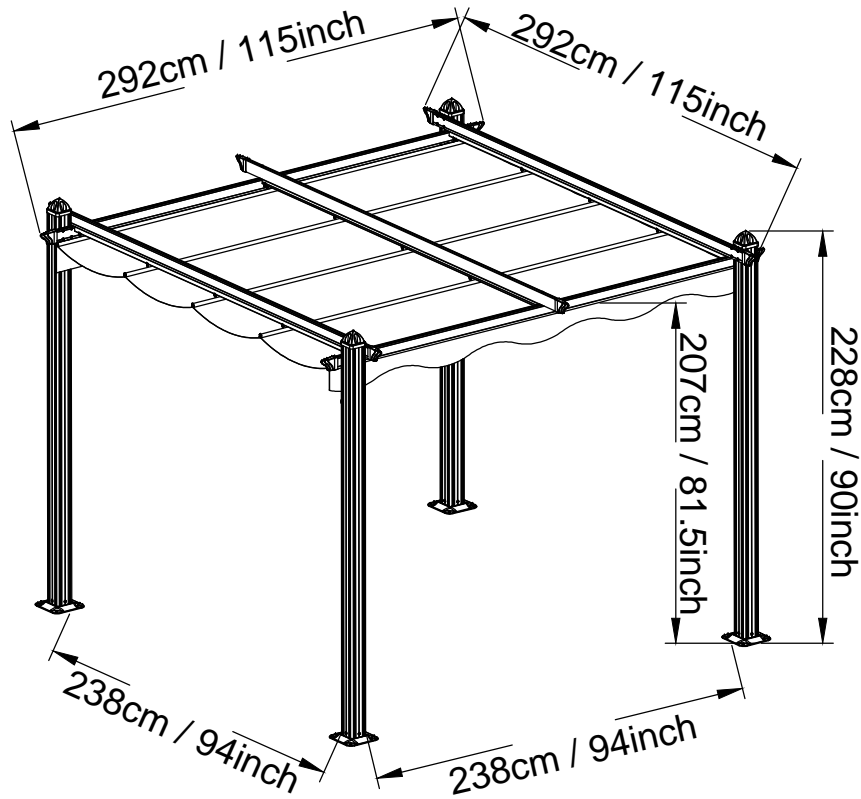
Installation Tool:

1. Triangle Stairs ≈ 4.9 Feet Height
2. Electric screwdriver + 5mm (13/64) inch Hexagon wrench (suggest)
3. Wooden Mallet
4. Marking Pen
5. Knife
6. Phillips screwdriver

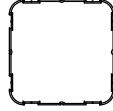



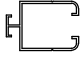

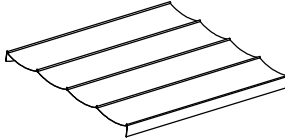







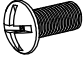


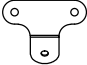




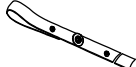
PRODUCT SIZE

Make sure you choose the correct installation location

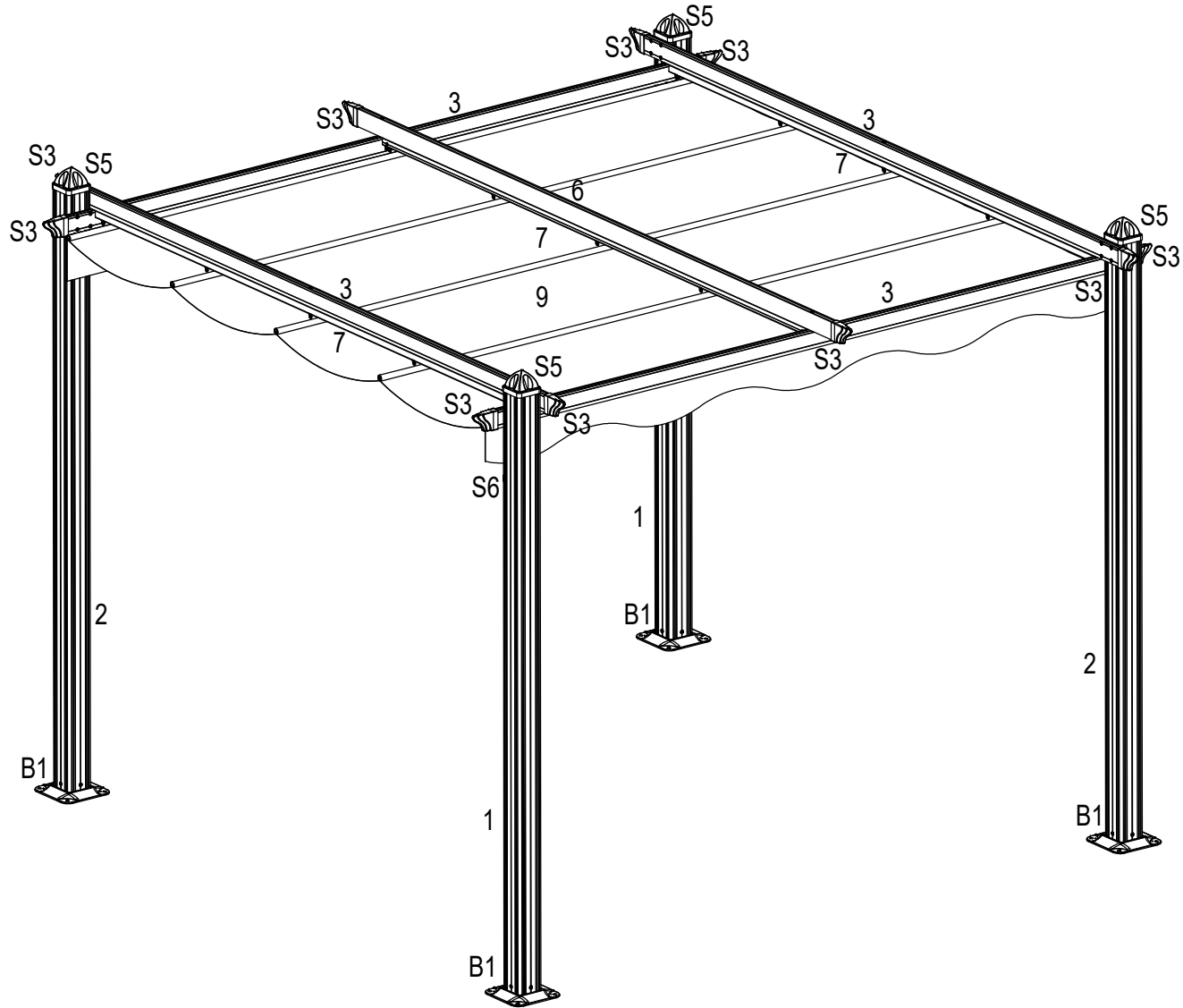


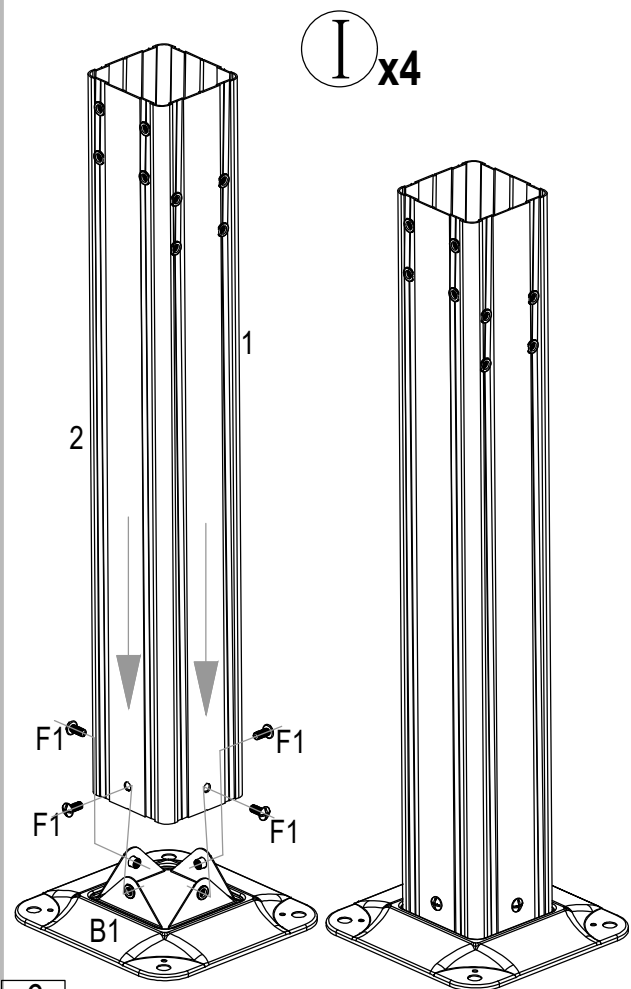
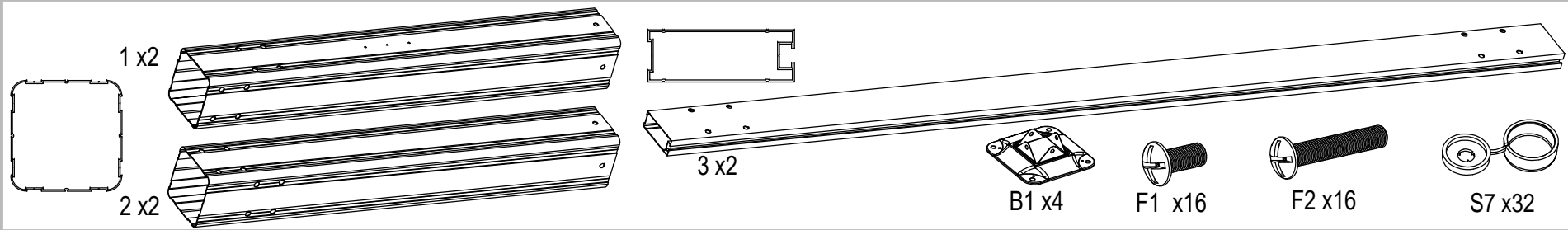
PARTS LIST

NO.	Qty.		
1	2	 2200mm/86.6"	
2	2		
3	4	2760mm/108.6"	
6	1		
7	3	 2439mm 96"	
9	1		

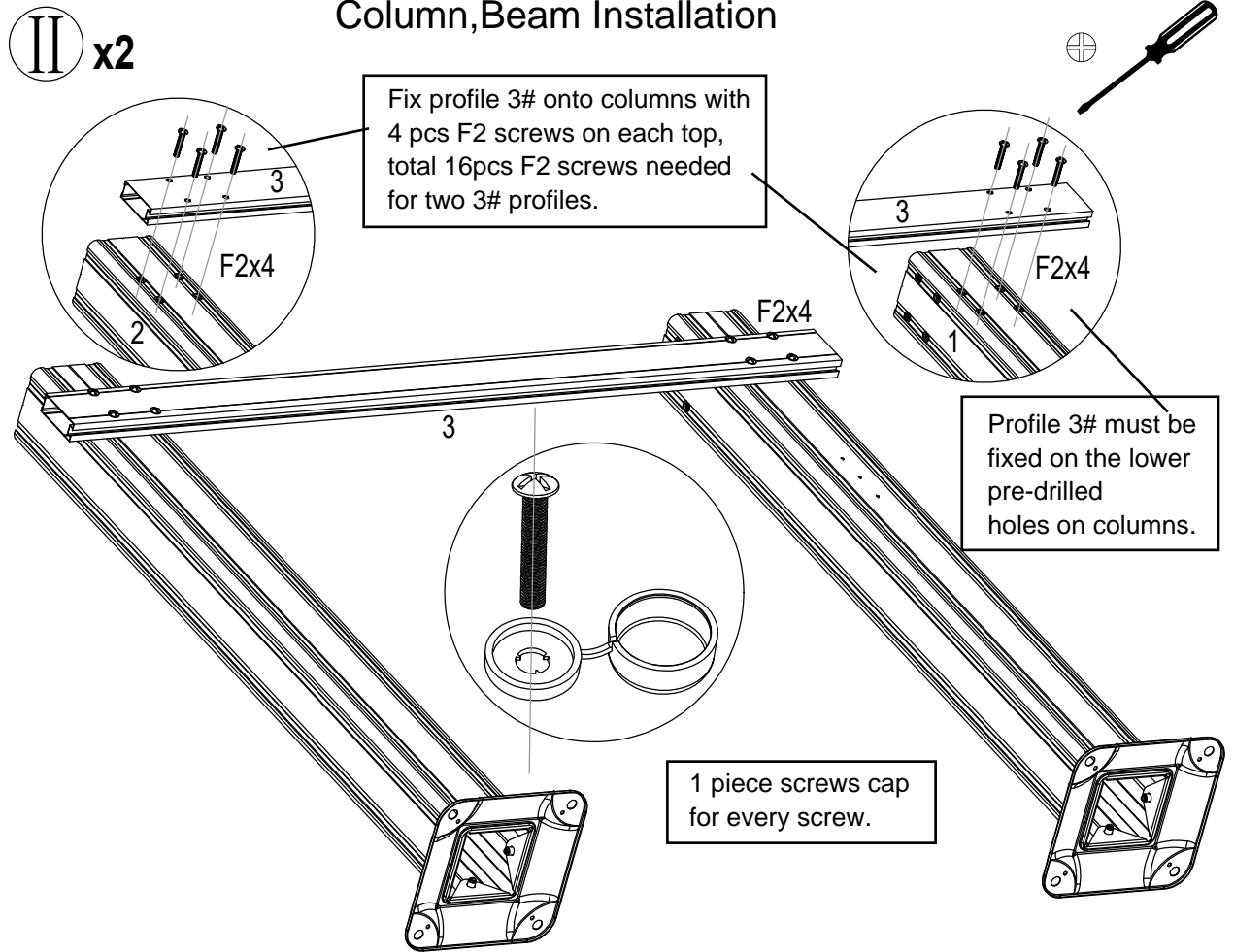
NO.	Qty.		NO.	Qty.	
B1	4		B3	15	
S1	15		B15	16	
S3	10		F1	16	 M6(15/64)
S5	4		F2	32	 M6(15/64)
B6	2		F3	2	 M6(15/64)
B2	15		F4	4	 T5(13/64)
S7	50		10	2	

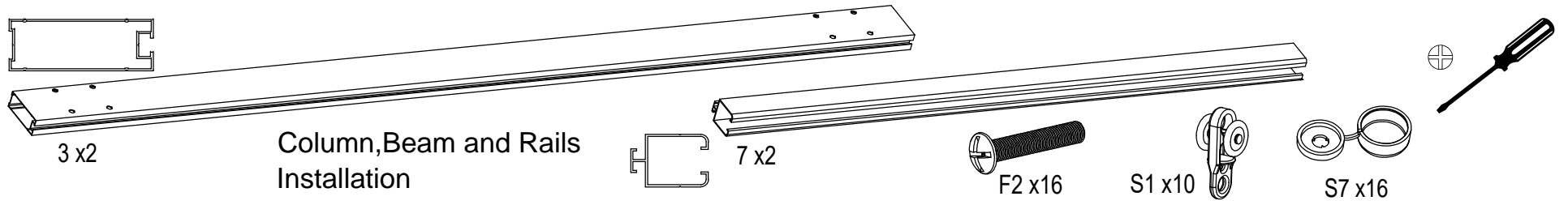
Schematic diagram of Aluminum frames





Column, Beam Installation

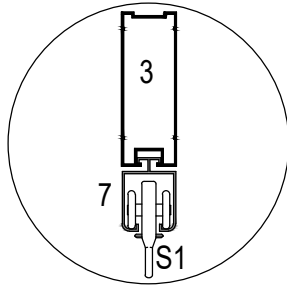




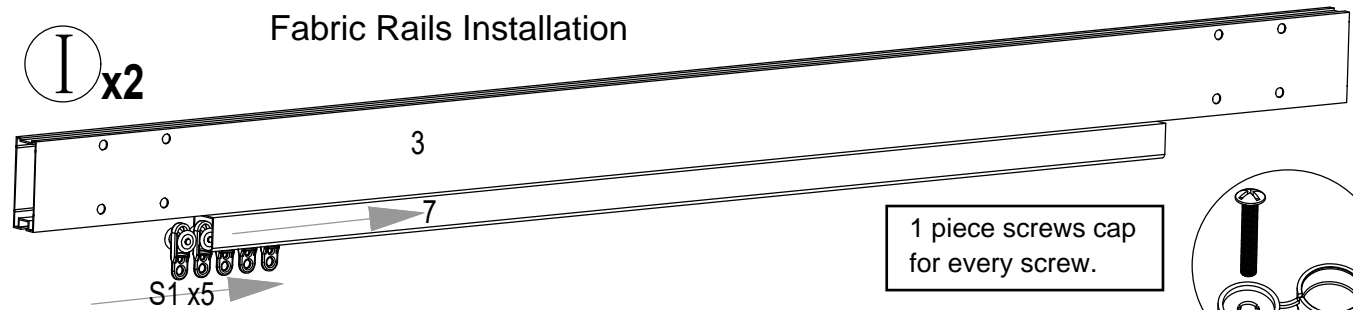
Insert profile 7# into the cavity of profile 5#, then insert 5 pieces S1 into part 7#.

Fabric Rails Installation

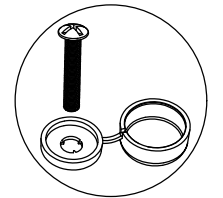
I



I x2

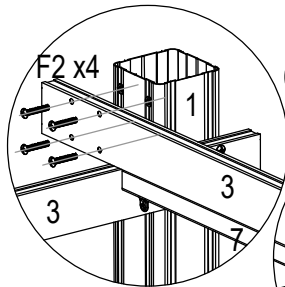


1 piece screws cap for every screw.

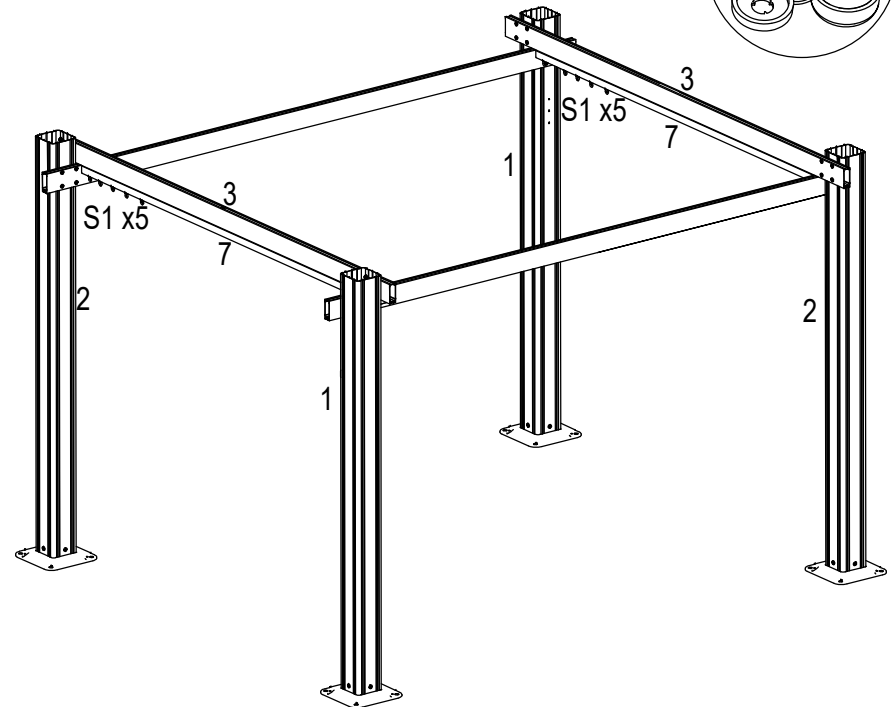
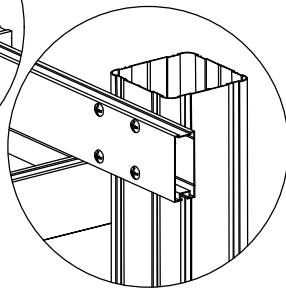
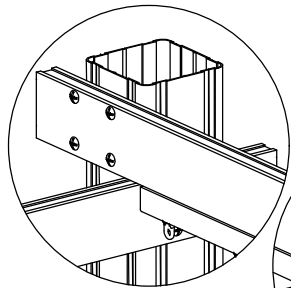
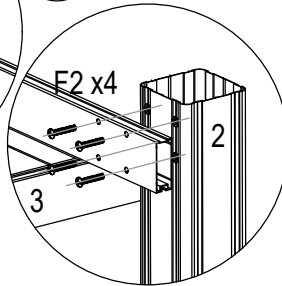


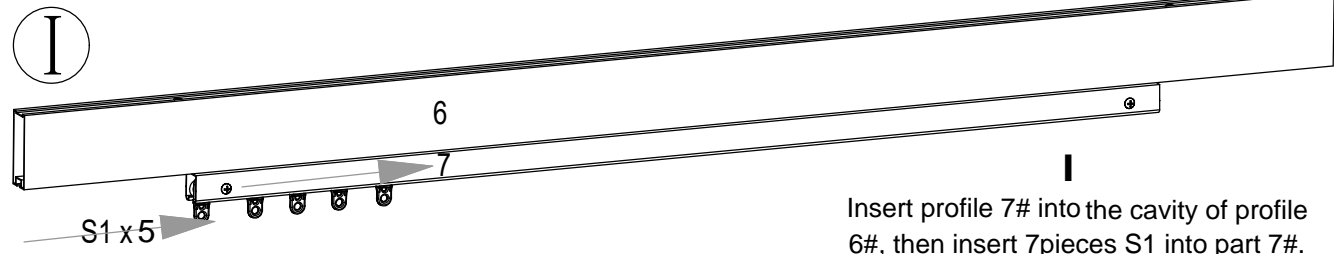
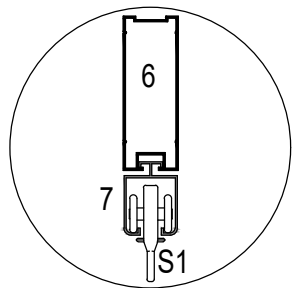
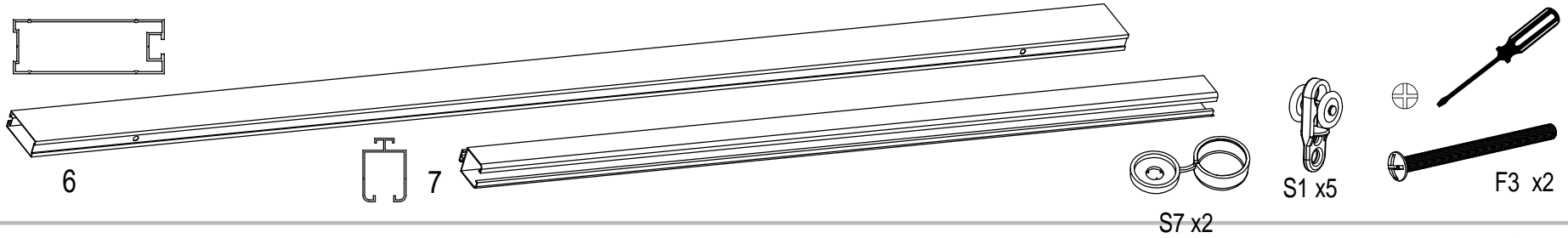
II

Fix the combination part 7# and 5# onto the columns with 16 pieces F2 screws.

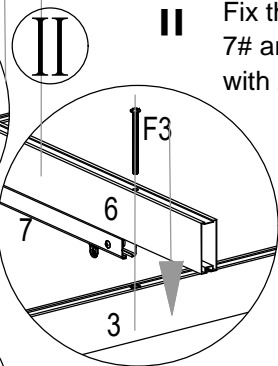
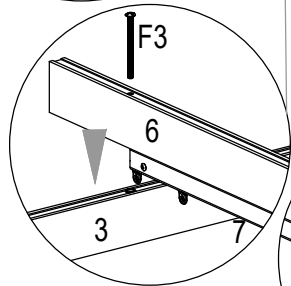


II x2

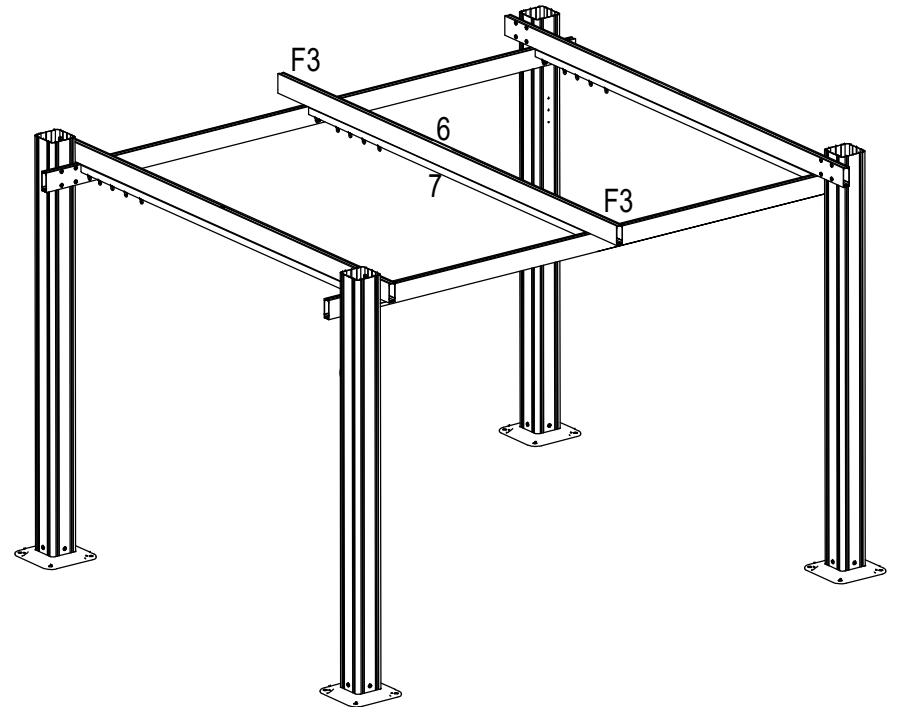
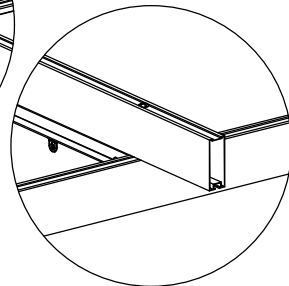
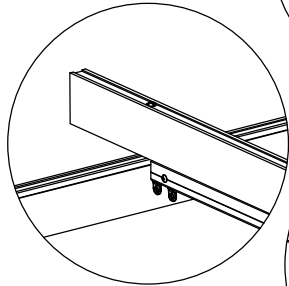


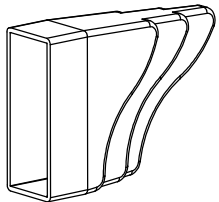


Insert profile 7# into the cavity of profile 6#, then insert 7pieces S1 into part 7#.

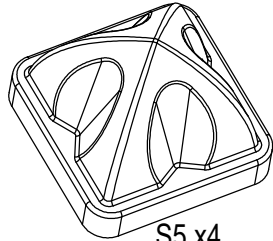


Fix the combination part 7# and 6# onto the columns with 2 pieces F2 screws.

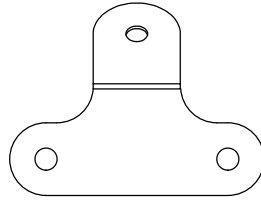




S3 x10



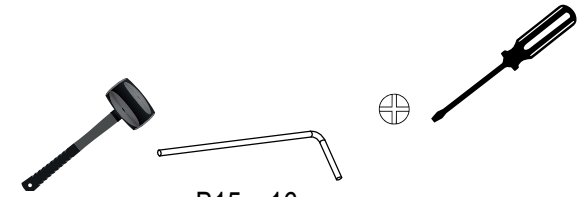
S5 x4



B6 x2



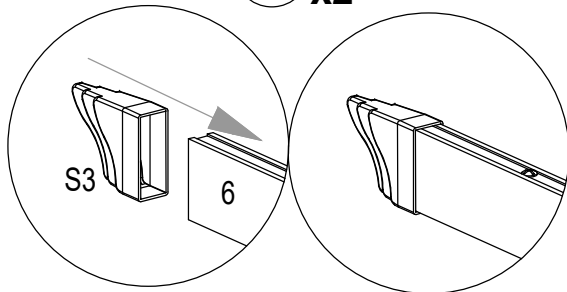
F4 x4



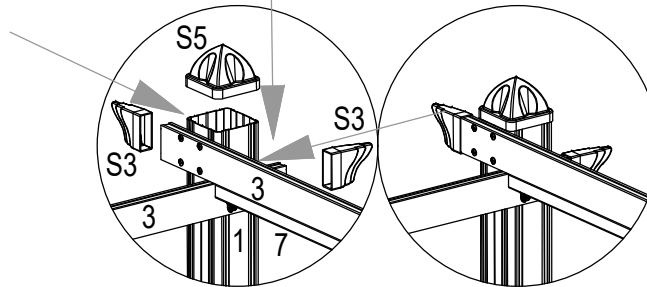
B15 x16

Plastic Column Caps Installation

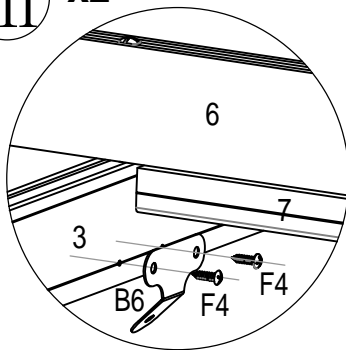
I x2



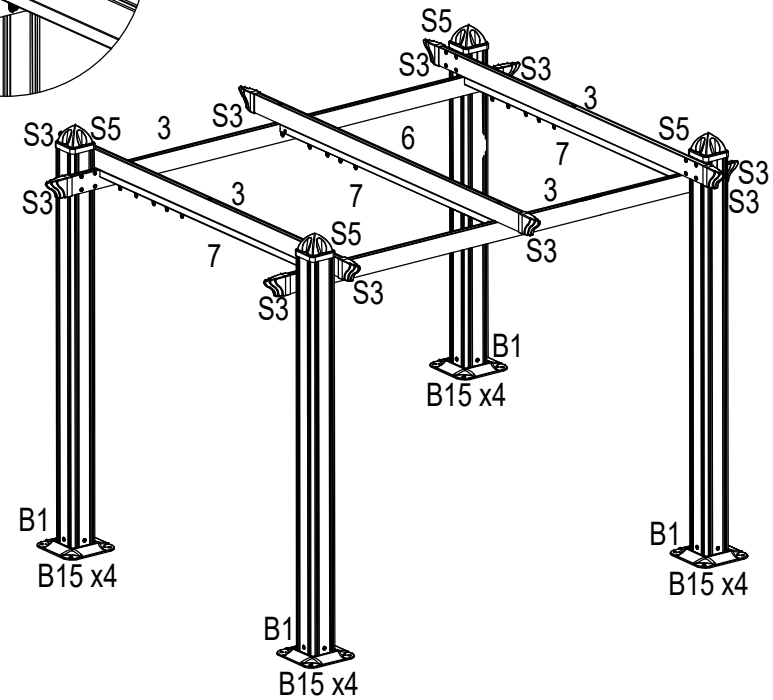
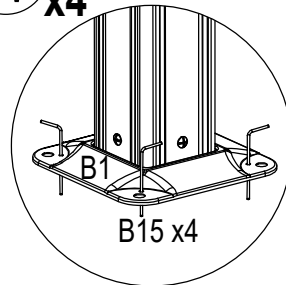
II x4

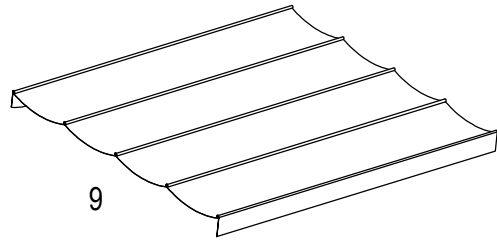


III x2

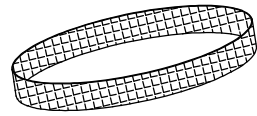


IV x4





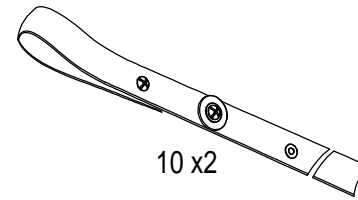
9



B3 x15



B2 x15

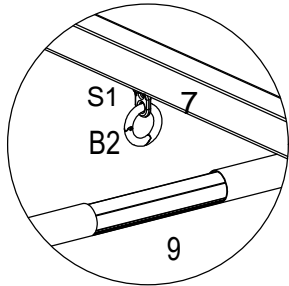


10 x2

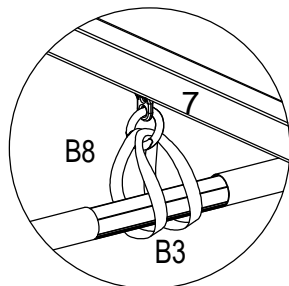
Fabric Installation

Hang part B8 onto S1;
Hang fabric 9# onto
part B8 with Strip
B9.

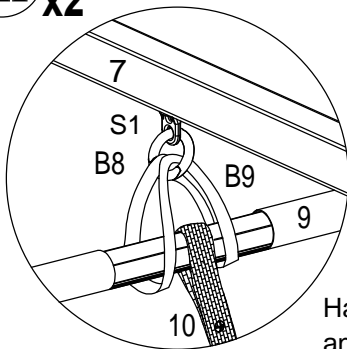
I x15



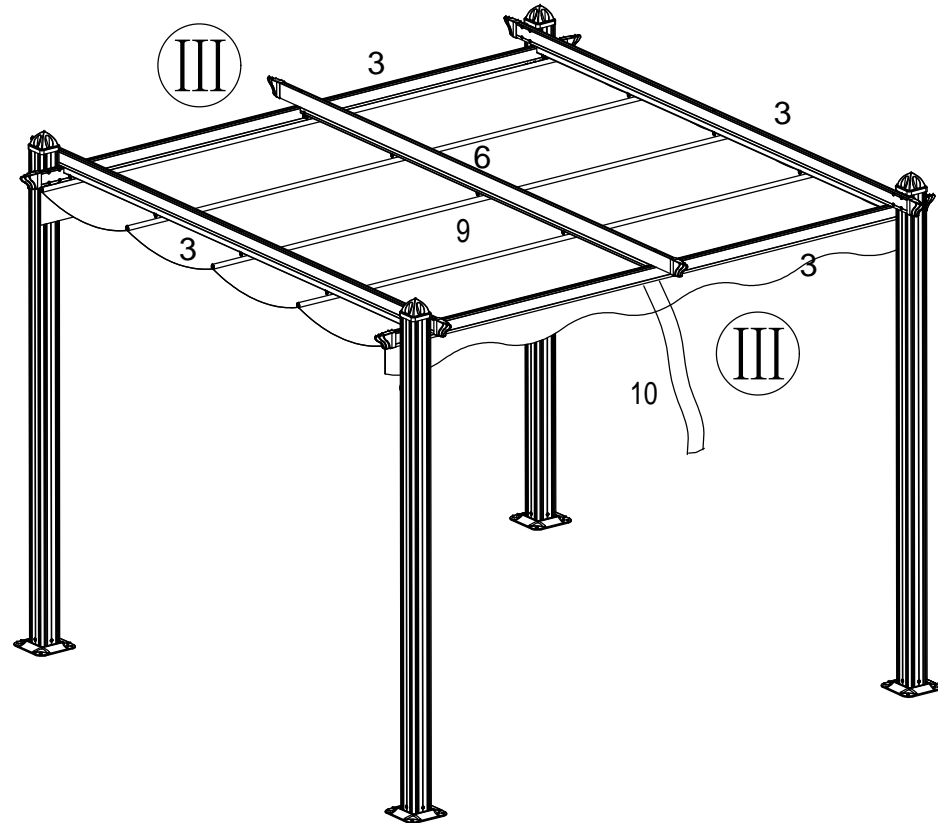
II x15



III x2



Hang Pulling strip on the first
and last pole of fabric.



Maintenance:

- 1.If the ground is not level, the unit may tilt to one side. If you find this is the case, please fix immediately to avoid damage.
- 2.Please prevent adding any increased weight to the product.
- 3.Avoid any vine/climbing plants, fruits, or vegetables from growing on the pergola as to not compromise the structure and durability of the product. If the structure is compromised, it can easily cause the frame to crack, break, or collapse.

Fabric Maintenance:

- 1.When using the product, please do not use sharp objects on collision films to avoid cuts. Be careful not to have a sharp object touch the film as it may scratch.
- 2.The fabric have flame polyester material applied to them and is recommended to keep away from fire to avoid damage.

Frame Maintenance:

- 1.The frames are made of aluminum alloy structure. If white spots or dirt is shown, please wipe with a wet cloth.
White spots are normal in a wet/warm environment.
- 2.If there is any distorting with the calibration, please fix immediately. Any distortion can cause the skylight to fall.
Please refer to the instruction manual for repairs.
- 3.If any connection piece rusts, change out the screws to ensure the connection part is firm and stable.

Weather Protection:

- 1.**WARNING:** If there is lightening, do not stay in or under the product. The frames are constructed of aluminum alloy, which is conductive, and may cause serious damage.
- 2.When wind power reaches 40mph or above, you may need to set up defense equipment and fix the columns.
To fix the columns, use a strong rope or cable and connect to the four angles of the anchors with a block inserted into the soil or tied to a nearby tree at least 4in.in diameter. When wind decreases, please remove safety measures of ropes.
- 3.Clear any leaves and branches on top of pergola to prevent the fabric from damage and dirty.
- 4.Close the fabric via pulling the rope and bind the rope on hook S6 fixed on one of the columns.

Outdoor Products

1-Year Limited Warranty Program

For a period of one (1) year after purchase, Hanover (“Manufacturer”) will either repair or replace defective components in accordance with this Limited Warranty. This warranty is between Manufacturer and the original purchaser and is valid only when accompanied by the original purchaser’s sales receipt showing original date of purchase and location of purchase. Replacements under this warranty revert back to the date of original purchase for future warranty.

Manufacturer or its authorized dealer can accept or reject warranty claims based on its findings. This warranty applies in normal residential use only and is not intended for commercial use. Manufacturer can make substitutions as required of materials, components, and sub-components of comparable value and utility. This warranty is limited to product repair or replacement (to be determined solely by Manufacturer). Warranty return is limited to only the single affected component.

This warranty covers only manufacturing defects and does not cover normal wear and tear, damage due to acts of nature, abuse or misuse, including chemical damage from suntan oil or other chemicals, exposure to extreme heat or cold, abrasion or excessive weight. This product is intended to be used in standard installations only. This warranty is invalid if the product is not used for intended purpose. Manufacturer disclaims liability for any aspect of installation and any inconvenience caused by a defective part of a component.

Certain items are not covered by this warranty. These include, but are not limited to the following:

1. Items subjected to abuse, including abuse intended to simulate failure.
2. Any part which merely exhibits normal wear yet functions essentially as new, including tears/rips, chips, scratches or stretching of materials and stitching.
3. Tears, rips, punctures, scratches or any damage caused by improper installation or use.
4. Fading and/or discoloration of materials resulting from exposure to the elements, chemicals, oils, fluids or any other cause are not covered.

To make a claim, contact us by the email address or the toll-free number below. Please have available a copy of the original sales receipt along with a brief description of the problem. Please also provide your email address and daytime telephone or cell phone #. All items may be charged actual freight costs plus \$15 for handling. Repairs or replacement will be made at the Manufacturer’s option. **Sales and use taxes, plus shipping and handling charges are the responsibility of the consumer.**

THIS IS THE ENTIRE EXCLUSIVE EXPRESS LIMITED LIABILITY. THE MANUFACTURER NEITHER MAKES NOR IS RESPONSIBLE FOR ANY OTHER WARRANTIES, EITHER EXPRESS OR IMPLIED, INCLUDING THOSE OF RETAILING DEALERS. THIS EXCLUSIVE REMEDY IS LIMITED TO RECEIPT OF A CREDIT IN CONNECTION WITH THE REPAIR OR REPLACEMENT OF ANY PRODUCT OR COMPONENT DEEMED TO BE DEFECTIVE UNDER THE TERMS AND CONDITIONS AS STATED IN THIS WARRANTY. NEITHER HANOVER, THE PRODUCT MANUFACTURER NOR ITS AGENTS SHALL BE LIABLE IN ANY CASE FOR INCIDENTAL, INDIRECT, SPECIAL OR CONSEQUENTIAL DAMAGES RESULTING FROM THE USE OF THIS PRODUCT OR ARISING OUT OF ANY BREACH OF THIS WARRANTY OR NEGLIGENCE EVEN IF IT HAS BEEN ADVISED OF THE POSSIBILITY OF SUCH DAMAGES. EXCEPT AS OTHERWISE MAY BE REQUIRED BY LAW, THERE ARE NO OTHER EXPRESS OR IMPLIED WARRANTIES OTHER THAN THE WARRANTY DESCRIBED HEREIN, AND ALL OTHER WARRANTIES, INCLUDING ANY IMPLIED WARRANTY OF MERCHANTABILITY OR FITNESS FOR A PARTICULAR PURPOSE ARE EXPRESSLY DISCLAIMED.

Contact Warranty Services at 1-877-397-5144

Or email us at:

ContactUs.Hanover-Products.com

or

www.Hanover-Products.com