

Kobi

Model # 8887

Kobi 32in Tall Planter



DESCRIPTION

With a smooth exterior and detailed opening, the Kobi 32in Planter truly exemplifies modern sophistication.

- Textured finish for increased durability
- Double wall design with built-in circular water reservoir channels
- Removable fill port plug for direct access to water reservoir
- Hidden overflow drainage (*optional plug for indoor use*)
- Weather resistant, low maintenance material
- 100% high-grade polyethylene with built in UV inhibitors
- Warranty: 5-Yr Commercial Use

PRODUCT DIMENSIONS

Outside Dimensions: 17.5in L x 17.5in W x 32in H (44.4cm x 44.4cm x 81.3cm)

Inside Dimensions: 14in L x 14in W x 12.8in D (35.6cm x 35.6cm x 32.4cm)

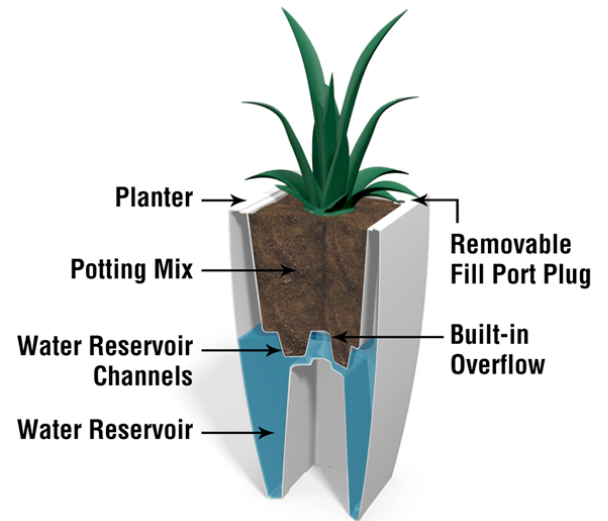
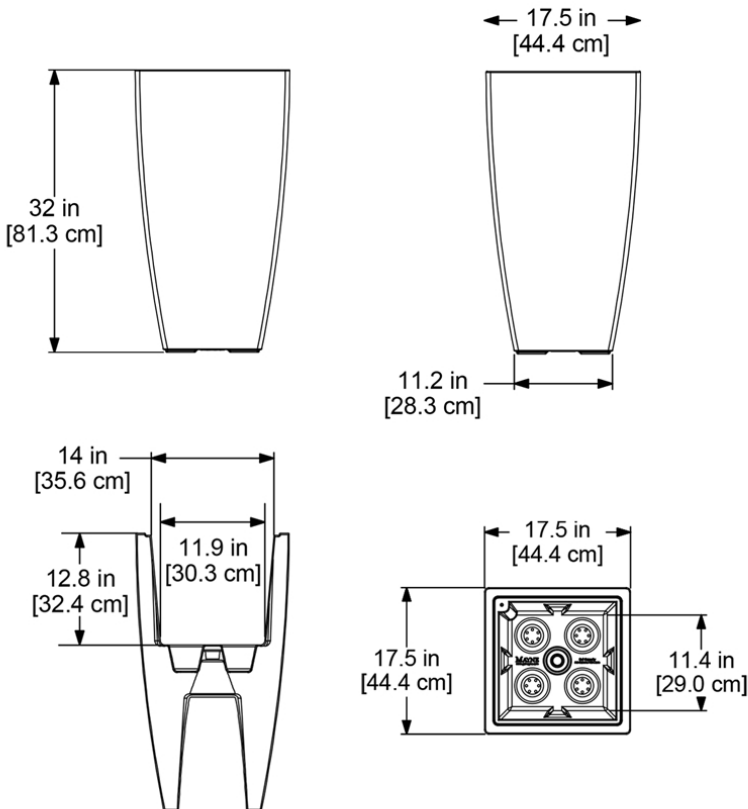
Soil Capacity: 9.25 Gallons (35 liters)

Water Reservoir Capacity: 12 Gallons (45 liters)

Wall Thickness: 0.14in (3.6mm)

Part Weight: 16lbs (7.3kg)

Material: Polyethylene



MAYNE[®]
CONTRACT

7024 Kilbourne Rd - Unit A London, ON N6P 1K6

Tel: 866-363-8834 | www.gomayne.com

customerservice@gomayne.com