

Nantucket

Model # 4833

Nantucket Tall Planter



DESCRIPTION

Style and functionality come together perfectly with the Nantucket Tall Planter by Mayne, creating an elegant finishing touch to any patio or entrance way.

- Single wall molded design with removable tray
- Self watering tray insert creates sub-irrigation water system
- Weather resistant, low maintenance material
- 100% high-grade polyethylene planter with UV inhibitors
- Warranty: 15-Yr Residential Use / 5-Yr Commercial Use

PRODUCT DIMENSIONS

Outside Dimensions: 15.6in L x 15.6in W x 32in H (39.6cm x 39.6cm x 81.3cm)

Inside Dimensions: 10.3in L x 10.3in W x 14.5in D (26.3cm x 26.3cm x 36.8cm)

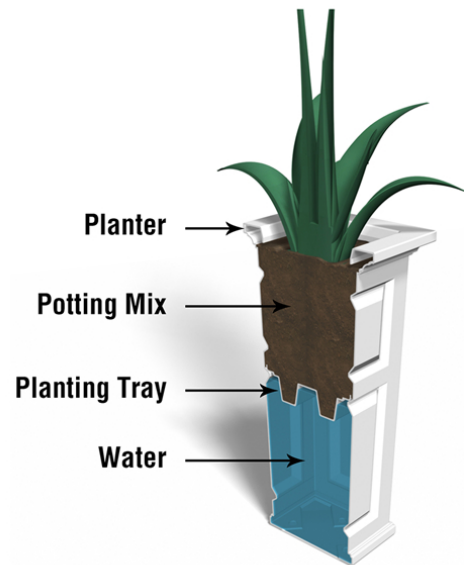
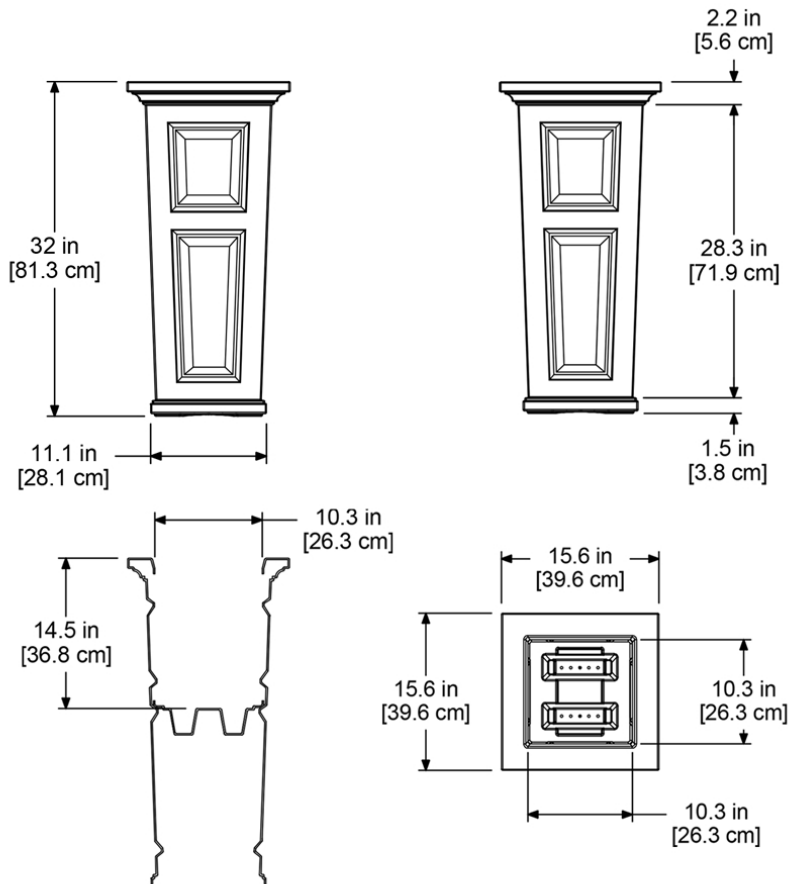
Soil Capacity: 10 Gallons (37.8 Liters)

Water Reservoir Capacity: 6.5 Gallons (24.6 Liters)

Wall Thickness: 0.15in (3.8mm)

Part Weight: 10.5lbs (4.8kg)

Material: Polyethylene



MAYNE[®]
Outdoor Products of Distinction

7024 Kilbourne Rd - Unit A London, ON N6P 1K6

Tel: 866-363-8834 | www.gomayne.com

customerservice@gomayne.com