

Kobi

Model # 8888

Kobi 38" Tall Planter



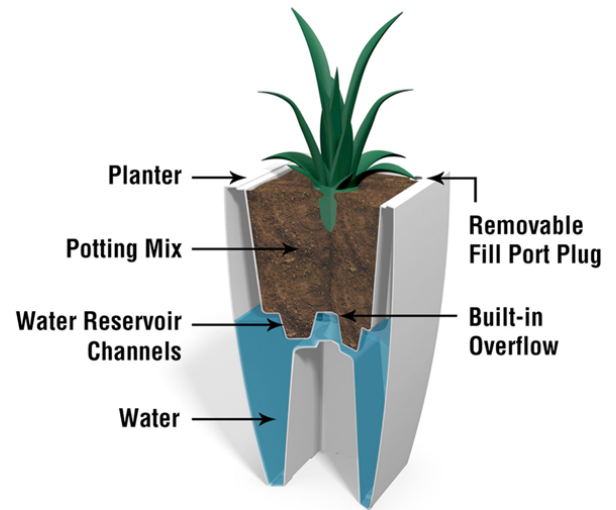
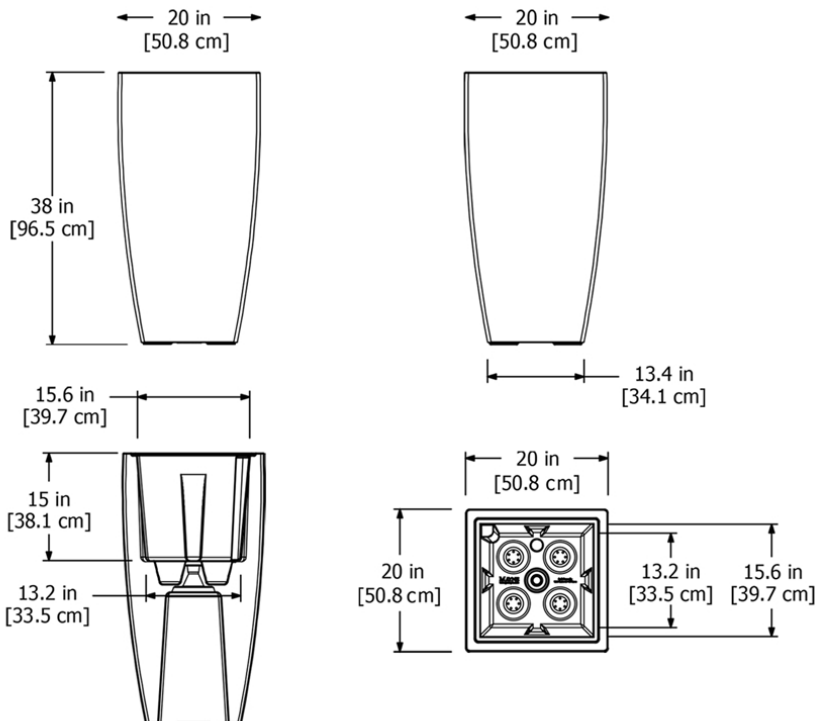
DESCRIPTION

So often we hear that less is more! Well the KOBİ exemplifies that mantra by offering the sophisticated styling of a modern planter with the unbeatable durability of a high quality, rotationally molded product. The smooth shape and clean lines allow this planter to fit perfectly into a variety of décor settings. The KOBİ features a water reservoir that helps retain soil moisture and it includes a built-in overflow drainage hole to prevent overwatering. What a beautiful addition this planter would make to your front entrance, pool side patios, and courtyard terraces.

- Textured finish for increased durability
- Double wall design with built-in circular water reservoir channels
- Removable fill port plug for direct access to water reservoir
- Hidden overflow drainage (*optional plug for indoor use*)
- Weather resistant, low maintenance material
- 100% high-grade polyethylene with built in UV inhibitors
- Warranty: 5-Yr Commercial Use

PRODUCT DIMENSIONS

Outside Dimensions: 20in L x 20in W x 38in H (50.8cm x 50.8cm x 96.5cm)
Inside Dimensions: 15.6in L x 15.6in W x 15in D (39.7cm x 39.7cm x 38.1cm)
Soil Capacity: 12.8 Gallons (48.5 liters)
Water Reservoir Capacity: 19 Gallons (72 liters)
Part Weight: 23.5lbs (10.7kg)
Material: Polyethylene



MAYNE[®]
CONTRACT

7024 Kilbourne Rd - Unit A London, ON N6P 1K6
Tel: 866-363-8834 | www.maynecontract.com
customerservice@gomayne.com