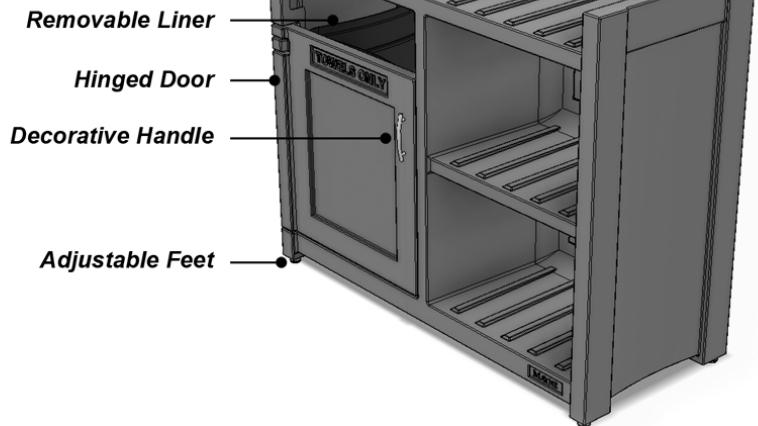


**#MIS109**

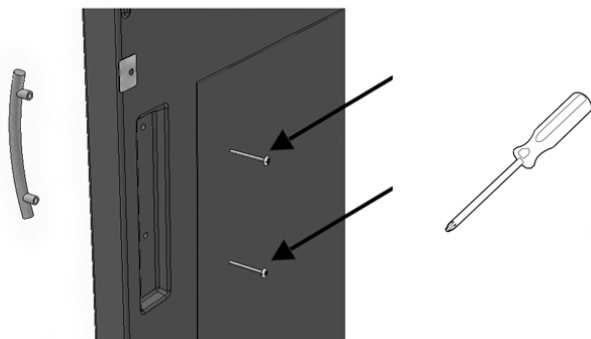
**Model #8855**

*Fairfield*  
towel valet

Polyresin Base Unit and Liner  
UV Protected, All Weather Material  
Shock Resistant  
Indoor/Outdoor Use

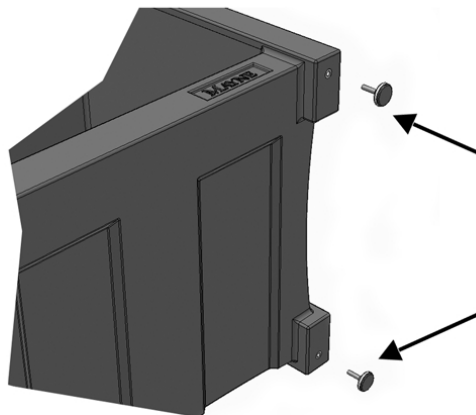


- Package includes base, liner, door, handle, magnetic latch, and adjustable feet.
- Minor assembly required for the door handle and installation of the adjustable feet.
- Plastic bags recommended for use with liner to make towel removal easier (plastic bags and towels not included).
- **15-year Warranty** Residential Use, **5-year Warranty** Commercial Use.



### STEP 1

Using a phillips head screwdriver, attach the decorative handle to the door with the 2 screws provided. Do not overtighten screws.



### STEP 2

Gently lay the towel valet on the back side to install the 4 adjustable feet. The feet will easily thread by hand into the t-nuts molded on the bottom of each corner post.

**MAYNE**  
Outdoor Products of Distinction  
[maynecontract.com](http://maynecontract.com)

For customer service inquiries email [customerservice@gomayne.com](mailto:customerservice@gomayne.com) or call toll free at 866-363-8834 (available Monday through Friday, 8am-5pm EST).