

Newport +

Model # 5814

Newport Plus Double Mail Post



DESCRIPTION

Double it up - Ideal for sharing, or multi-family units. Our Newport Plus Double Mail Post offers you more than just a functional place to pick up your mail.

- Weather resistant, low maintenance material
- Installs easily over a standard 4x4 wood post
- Recommended for mailboxes up to 8lbs
- 100% high-grade polyethylene with built in UV inhibitors
- Warranty: 15-Yr Residential Use / 5-Yr Commercial Use

PRODUCT DIMENSIONS

Outside Dimensions: 8in L x 41.3in W x 56.5in H (20.3cm x 105cm x 143.5cm)

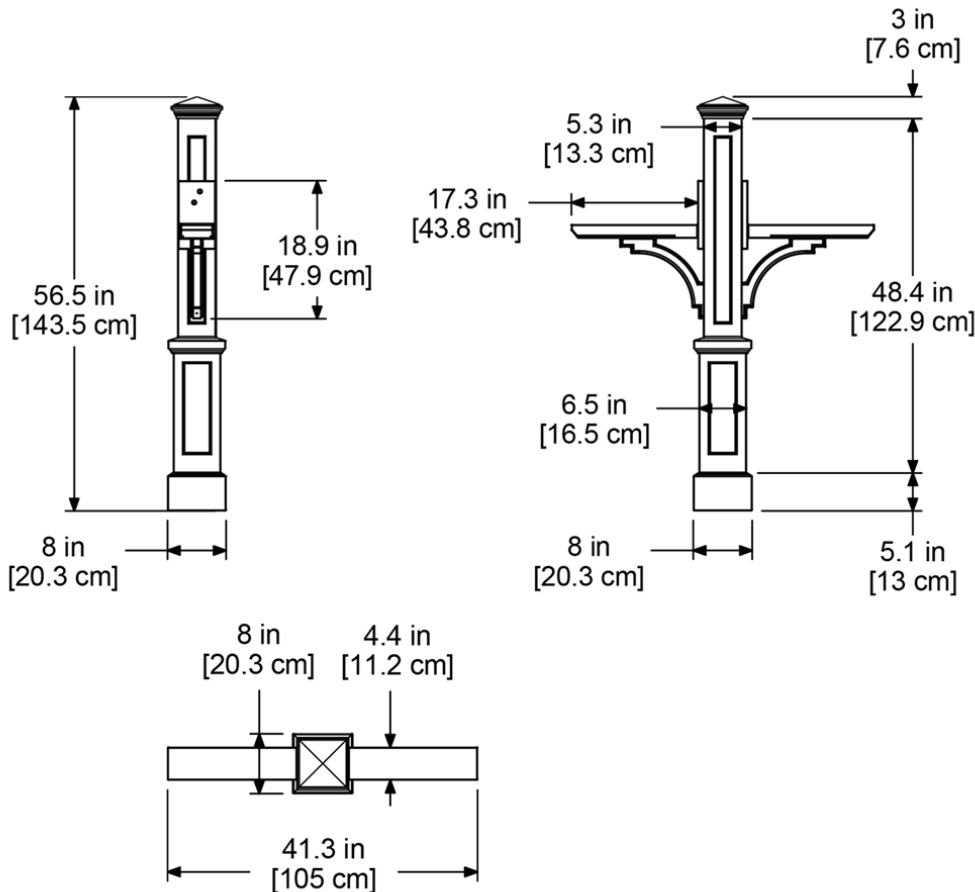
Wall Thickness: 0.125in (3.17mm)

Part Weight: 11.5lbs (5.2kg)

Material: Polyethylene

Contents: 1x Post, 2x Support Arms, and Hardware

Note: 4x4 wood post, mailbox, and mailbox mounting hardware NOT included



MAYNE[®]
Outdoor Products of Distinction

7024 Kilbourne Rd - Unit A London, ON N6P 1K6

Tel: 866-363-8834 | www.gomayne.com

customerservice@gomayne.com