

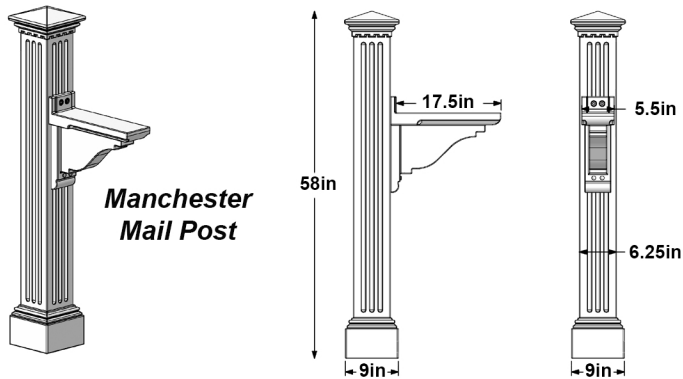
Manchester Mail Post Assembly Instructions

MIS026_{r2}

General Information:

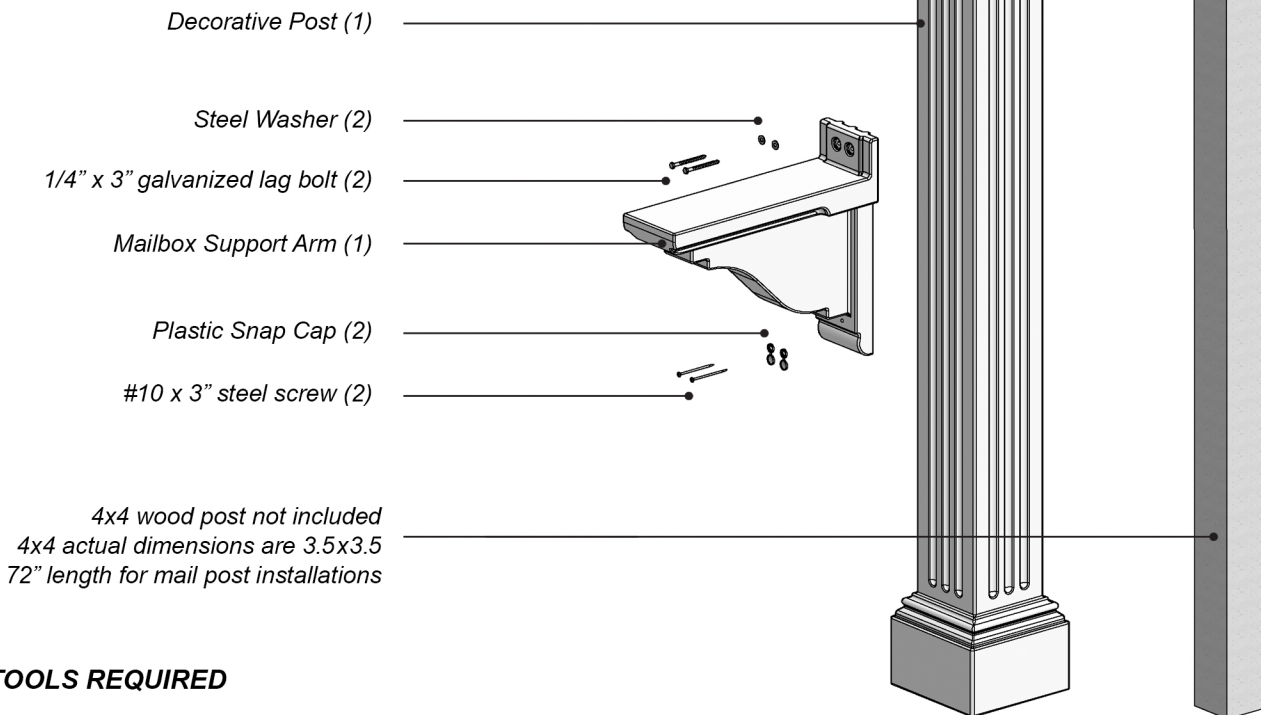
- Read instructions carefully before beginning assembly.
- Identify each component from material list.
- Do not use excessive force when assembling components.
- To clean this product, for best results use a soap solution and high-pressure water.
- Missing or defective parts, please call toll free **1-866-363-8834** or email customerservice@gomayne.com.

*Customer Service Available
Weekdays 8am-5pm (EST)*



**Manchester
Mail Post**

Materials List:



TOOLS REQUIRED



Shovel



Cordless Drill



Tape Measure



7/16"



Phillips Bit



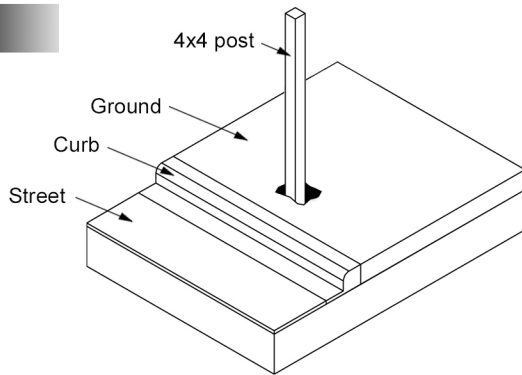
Level

IMPORTANT NOTE

- 4x4 wood post, mailbox, and mailbox mounting hardware NOT included with any Mayne mail posts
- Small or medium mailbox recommended weighing up to 12lbs, heavier mailboxes can be reinforced by securing 2 screws through the back of the mailbox directly into the post
- Please refer to local codes for mailbox installation height and setback from the curb

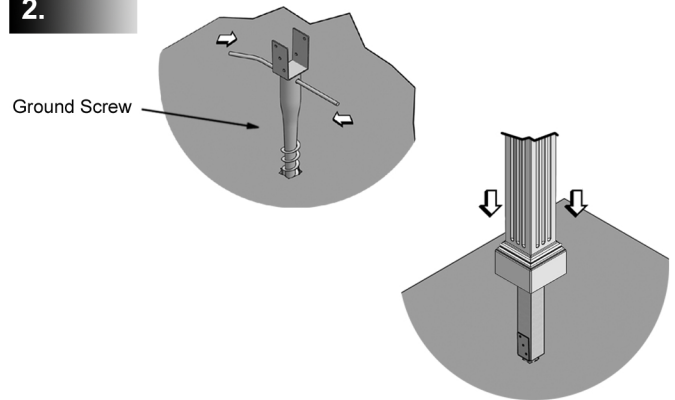
MAYNE[®]
Outdoor Products of Distinction
www.gomayne.com

1.



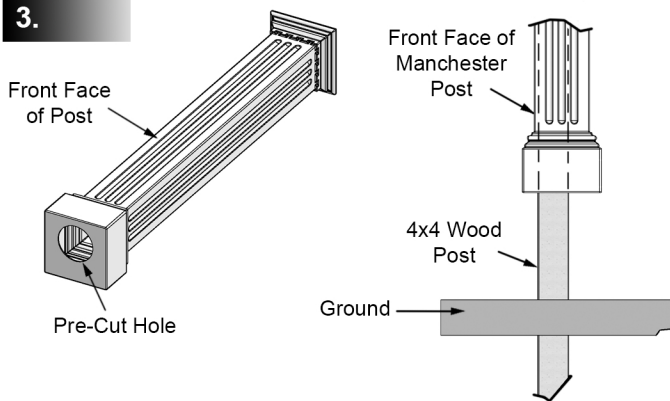
Dig a 24" deep hole in the desired location and insert a 4x4 wood post. Leave 48" exposed above ground. Fill the hole with pre-mix concrete (not included) and level the wood post. Once the concrete has cured, slide the decorative post over the wood 4x4 ensuring that the base sits flush with the ground.

2.



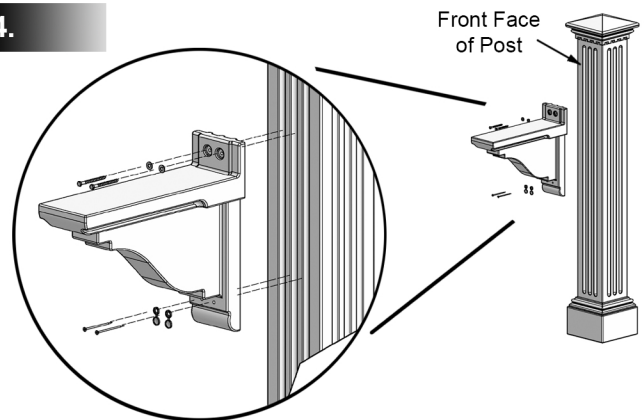
Optional Ground Screw: Twist the screw into the ground and attach a 4x4 post (approx. 48" length, not included) with the 5x lag bolts provided. Slide the decorative post over the 4x4.

3.



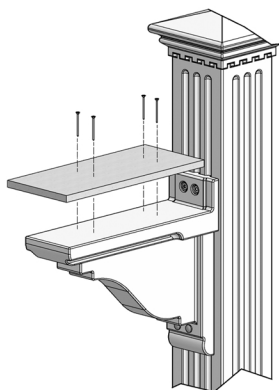
Important Note: The pre-cut hole in the bottom of the post is located closer to the front face of the post. Identify the hole location and slide the decorative post over the 4x4 as shown above.

4.



Secure the mailbox support arm to the decorative post using two 3 inch lag bolts with washers for the top holes and two 3 inch screws in the lower holes. Plastic snap caps are provided to cover the two screw heads.

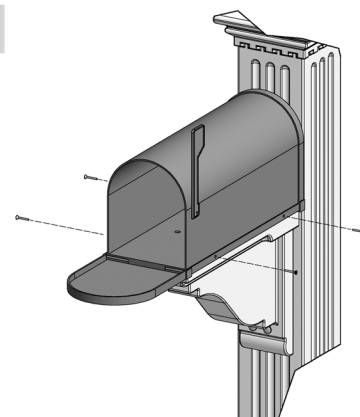
5.



Using 2 inch wood screws attach a mounting board (or bracket) to the mailbox arm. A wood core is included inside the arm which provides a solid core to fasten the screws.

TIP: A piece of plywood makes for a great mounting board and can be cut to match the specific size your mailbox.

6.



Set the mailbox on the mounting board and attach it by securing 3/4 inch screws through the holes on each side of the mailbox. (mailbox, mailbox mounting board, and screws are not included but can be purchased at your local hardware store)