

Yorkshire

Model # 4821

Yorkshire Decorative Brackets



DESCRIPTION

Complete the look of your window box with a pair of decorative supports. The curved brackets are the perfect finishing touch to your installation.

- 100% high-grade vinyl with built in UV inhibitors
- Designed specifically for Yorkshire window boxes
- Brackets attach easily to the existing wall mount brackets
- Weather resistant, low maintenance vinyl
- Warranty: 15-Yr Residential Use / 5-Yr Commercial Use



PRODUCT DIMENSIONS

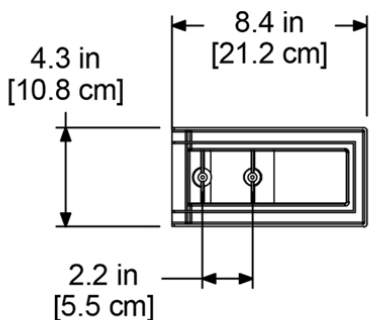
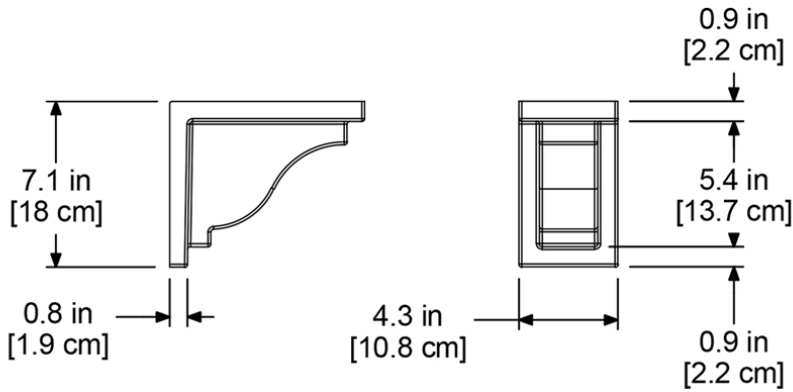
Outside Dimensions: 8.4in L x 4.3in W x 7.1in H (21.2cm x 10.8cm x 18cm)

Wall Thickness: 0.1in (2.5mm)

Part Weight: 2lbs (0.9kg)

Material: PVC

Contents: 2 decorative brackets and 4 mounting screws



MAYNE[®]
Outdoor Products of Distinction

7024 Kilbourne Rd - Unit A London, ON N6P 1K6

Tel: 866-363-8834 | www.gomayne.com

customerservice@gomayne.com