

Nantucket

Model # 4830

Nantucket 3ft Window Box



DESCRIPTION

The Mayne Nantucket Window Box Collection features a bowed front, raised panel design, pronounced crown molding detail and built-in overflow drains.

- Made from 100% high-grade polyethylene
- Features a double wall design creating a water reservoir
- Includes 3 wall mount brackets with a black powder coated finish
- Warranty: 15-Yr Residential Use / 5-Yr Commercial Use

PRODUCT DIMENSIONS

Outside Dimensions: 36in L x 11.7in W x 10.2in H (91.4cm x 29.6cm x 25.8cm)

Inside Dimensions: 32in L x 8.2in W x 7.6in D (81.2cm x 20.9cm x 19.4cm)

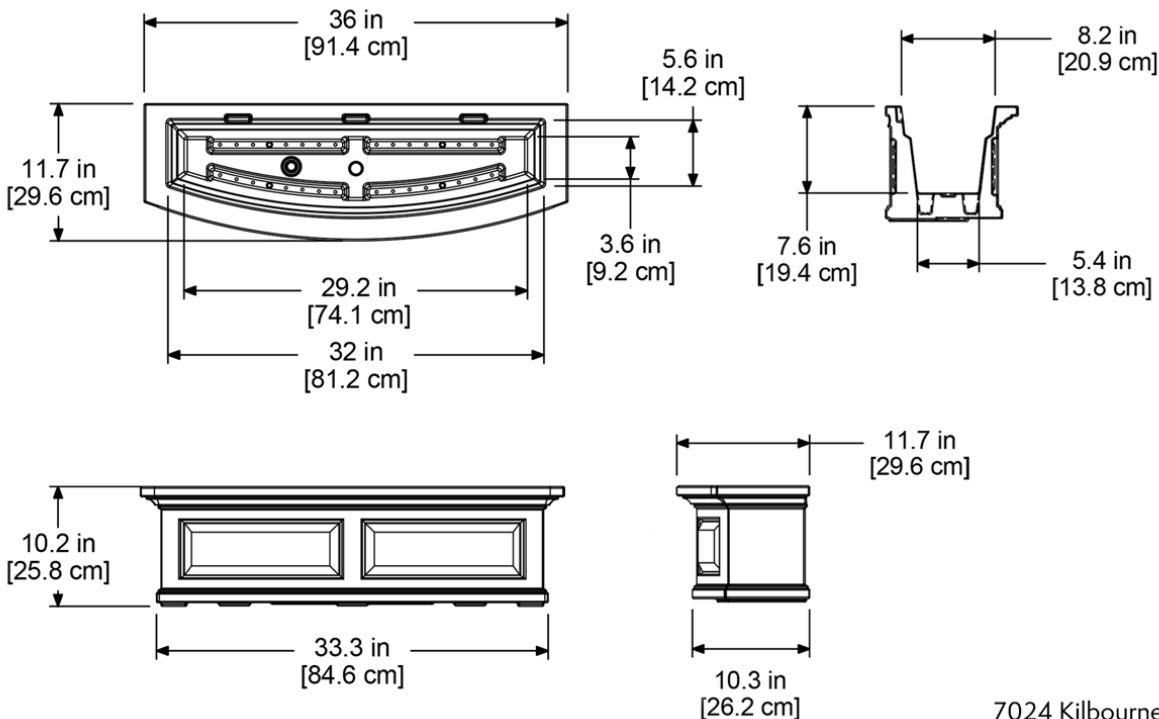
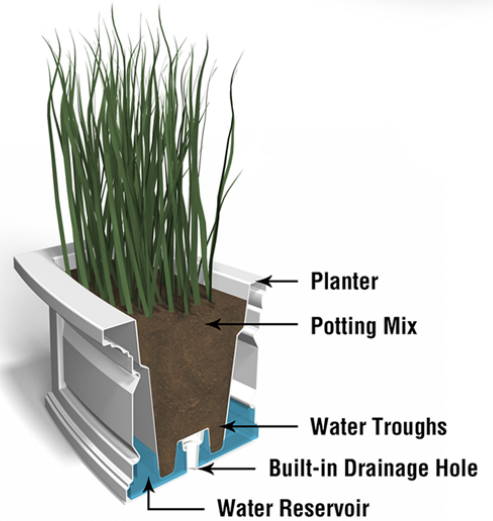
Soil Capacity: 3.5 Gallons (13.2 Liters)

Water Reservoir Capacity: 2.5 Gallons (9.4 Liters)

Wall Thickness: 0.125in (3.17mm)

Part Weight: 13lbs (5.9kg)

Material: Polyethylene



MAYNE[®]
Outdoor Products of Distinction

7024 Kilbourne Rd - Unit A London, ON N6P 1K6

Tel: 866-363-8834 | www.gomayne.com

customerservice@gomayne.com