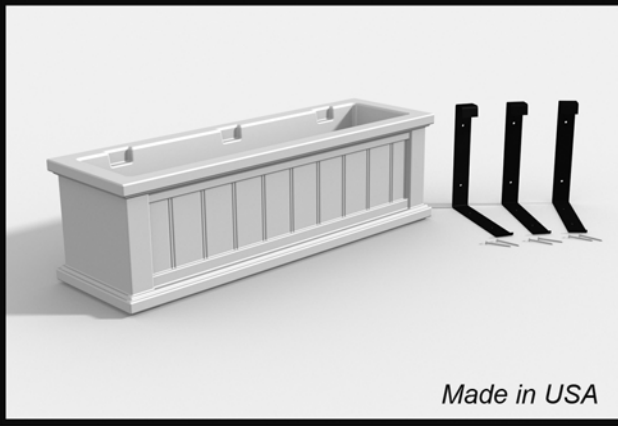


Cape Cod Window Box Instructions (part # 4840, 4841)

MIS030-6



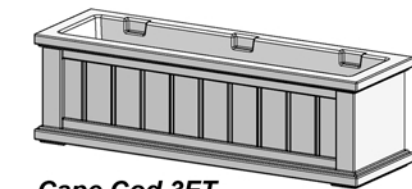
PACKAGE CONTENTS: Cape Cod Window Box, Steel Wall Mount Brackets (3 for a 3FT, and 4 for a 4FT), and 2 Inch screws (2 screws per wall mount bracket)

MATERIAL: Linear low-density polyethylene (LLDPE)

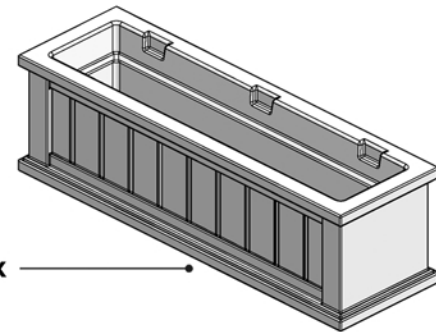
WARRANTY: 15-year residential warranty (2-yr on hardware)

IMPORTANT NOTE:

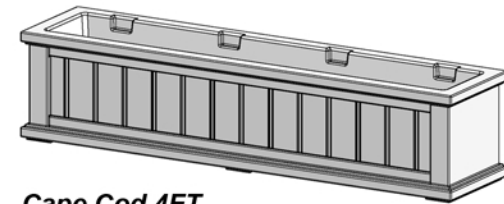
- Do not overload the patio planters. Lightweight fillers and potting mixes are recommended.



Cape Cod 3FT
36in L x 11in D x 10.8in H
(7.2 Gal. Soil Capacity)



Cape Cod Window Box
(available in 36in and 48in)

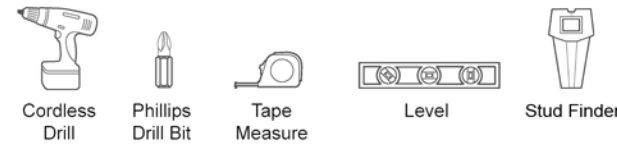


Cape Cod 4FT
48in L x 11in D x 10.8in H
(10 Gal. Soil Capacity)

2 Inch Steel Screws
(2 per bracket)

Wall Mount Brackets
(3 for the 3FT, 4 for the 4FT)

Tools Required:



General Information:

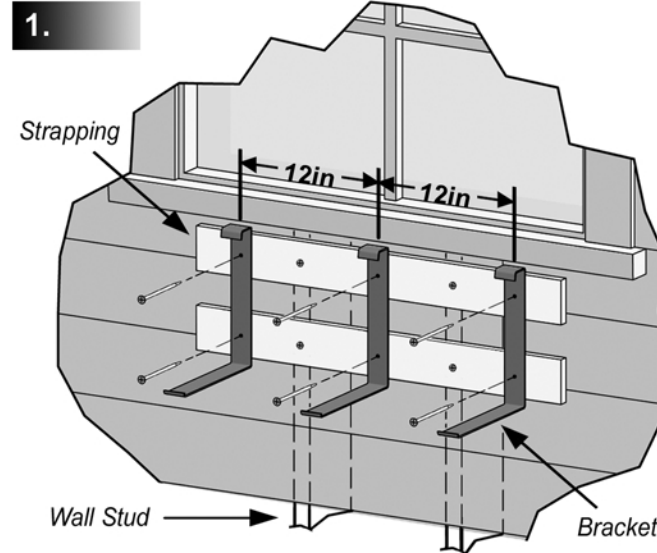
- Read instructions carefully before beginning assembly.
- Identify each component from material list.
- To clean this product, for best results use a soap solution and high-pressure water.
- The molded polyethylene construction is designed to withstand cold temperatures but you may wish to winter store the planter in a shed or garage to offer the best protection from extreme cold.
- Wall mount brackets include screws for general mounting applications; however when installing on brick and concrete, masonry screws or anchors are required (not included).

Missing or defective parts? Call our customer service department toll free at 866-363-8834 or email info@gomayne.com. (Monday through Friday, 8am-5pm EST)

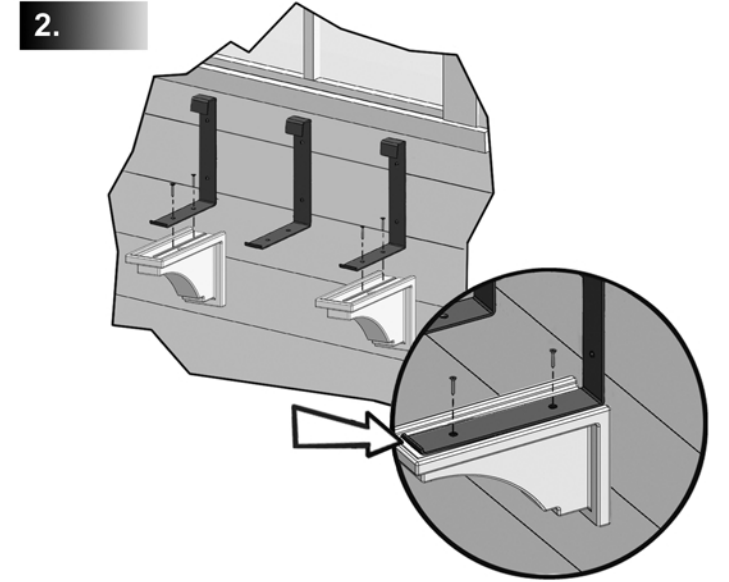
MAYNE®
Outdoor Products of Distinction

105 Midpark Rd. Unit 1
London, ON N6N 1B2

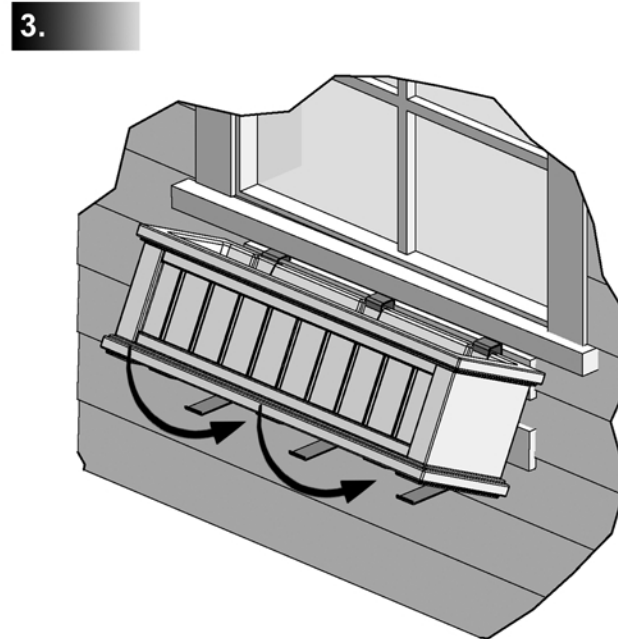
US Warehouse: Alliance, OH 44601
www.gomayne.com



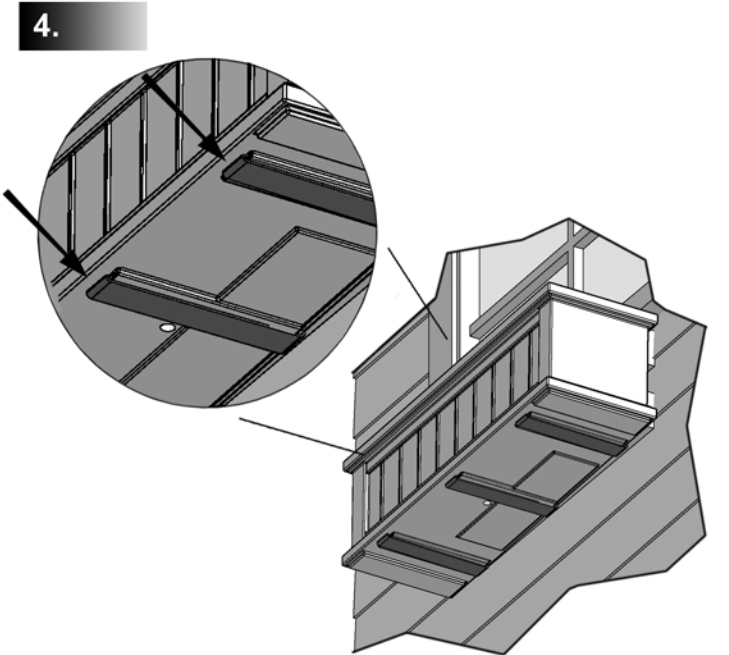
Secure the brackets to the wall using the screws provided. Ensure the spacing for each bracket is 12 inches center to center. For installation on siding we recommend plywood strapping (1"x4" plywood is suitable). Using a stud finder, secure the strapping into the wall studs, then attach the wall mount brackets directly to the plywood strapping. For brick or concrete walls, masonry screws are required (available at your local hardware store).



Optional Decorative Brackets (sold separately). Secure the decorative brackets to the bottom of the wall mount brackets using two 1 inch screws. The front lip of the wall mount bracket should sit flush against the inside face of the decorative bracket (indicated by the arrow). The molded brackets are only decorative so there is no need to over-tighten the screws.



Tip the planter box into the brackets as illustrated ensuring the lips of the brackets fit into the molded grooves.



The molded feet on the bottom of the planter should sit flush on the brackets. Ensure that the front edge of each footing is seated properly against the lip of the bracket.

Planting Instructions

MIS030-6

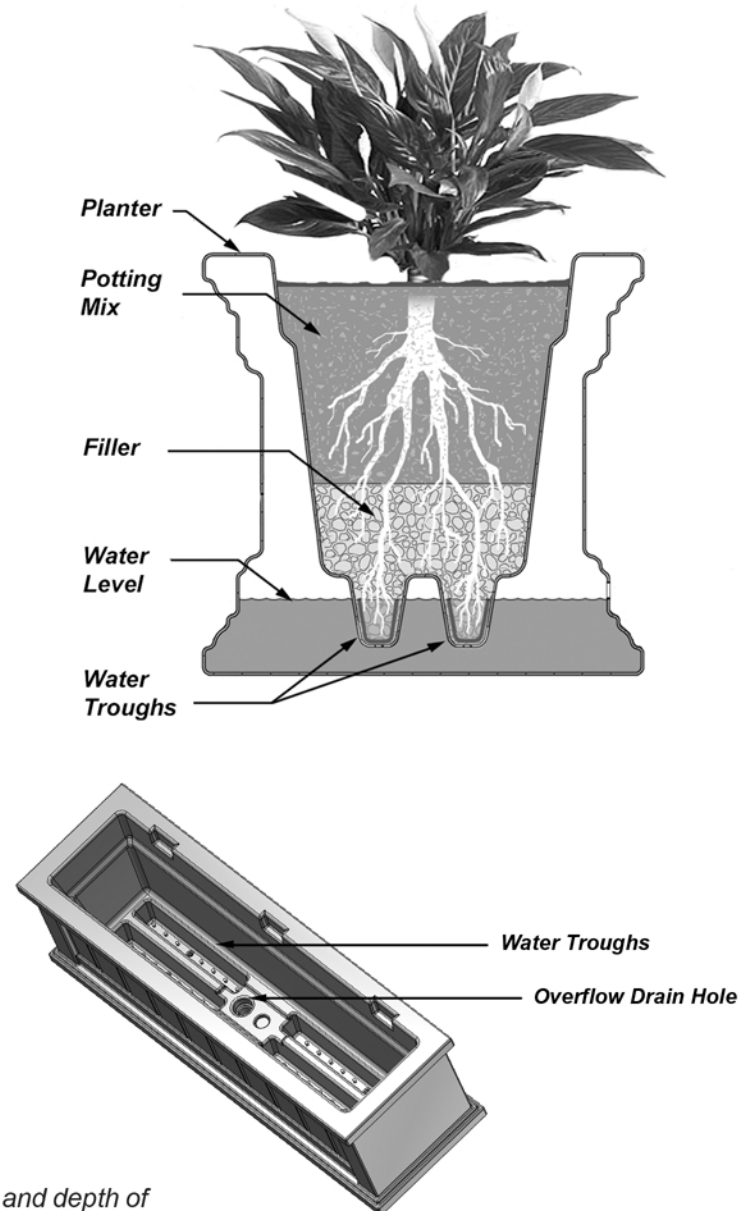
General Planting Recommendations:

To maximize the efficiency of the sub-irrigation system we recommend the following steps:

- 1) Start by adding a few inches of lightweight filler to the bottom of the planter. This is optional but offers 3 benefits: it reduces the amount of potting mix required, it encourages faster root growth down into the troughs, and it will help decrease the overall weight of the planter making it easier to move around. Some suggestions for lightweight fillers include lava rock, mulch, wood chips, crushed water bottles, or foam packing peanuts (don't use foam packing peanuts if you are growing edible plants).
- 2) Fill the planter with a potting mix to within a few inches of the top. Regular garden soil is not recommended since it compacts too easy and doesn't allow for proper aeration or drainage.
- 3) Start planting and enjoy!

Sub-Irrigation System

The Cape Cod planter collection features a double wall design that creates a trough system and sub-irrigation water reservoir at the bottom of the planter. Capillary action allows water in the reservoir to soak upward keeping the soil and plant roots moist creating a self-watering effect. Regular watering is required for the first few weeks giving the root system time to develop. Once the roots have grown down into the troughs the plants will be able to pull moisture from the reservoir creating a self watering effect. With this system you will find the potting mix stays moist longer than traditional container planters. Please note that even with the reservoir and self watering effect, occasional watering is still needed. To avoid oversaturation an overflow hole is molded through the floor of the planter allowing excess water to drain out the bottom.



NOTE: Results may vary depending on the type of plant and depth of the root system. The above information is only suggested and Mayne holds no liability for the condition or growth of your plants.

Optional Fill Port Instructions

Fill Port/Drainage Hole Installation:

Mayne planters are molded with a double wall design that creates an internal water reservoir. To provide direct access to the reservoir we recommend drilling a 3/4 inch hole on the top or back side of the planter. To cover the hole we have included a rubber plug that can be easily removed to fill or drain the planter as needed.

Note: The rubber plug is provided as an added feature so the following steps are optional. Not intended for use on the bottom of the planter as the plug may not create a water tight seal.

OPTION #1

Drill 3/4in hole on the top rim of the planter



OPTION #2

Drill 3/4in hole on the back of the planter

