

## General Information:

- Read instructions carefully before beginning assembly.
- To clean this product, for best results use a soap solution and high-pressure water.
- A shovel and tape measure will be required to install the post (additional tools will be needed for hard-wired lamps).
- Missing or defective parts, please email [customerservice@gomayne.com](mailto:customerservice@gomayne.com) or call toll free 1-866-363-8834 (Monday through Friday, 8am-5pm EST).



### Liberty Lamp Post

Dimensions : 9.375" x 9.375" x 72"

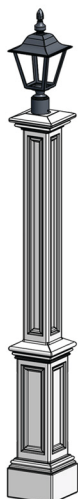
Colors: White, Black  
Material: Polyethylene

#### Contents:

- Decorative Sleeve
- 89" Steel Post/Lamp Mount (optional purchase)

#### Notes:

*Accommodates hard-wired or solar lamps.  
Lamp and wiring materials not included.  
Concrete required for secure installation.*



### Signature Lamp Post

Dimensions: 9.375" x 9.375" x 72"

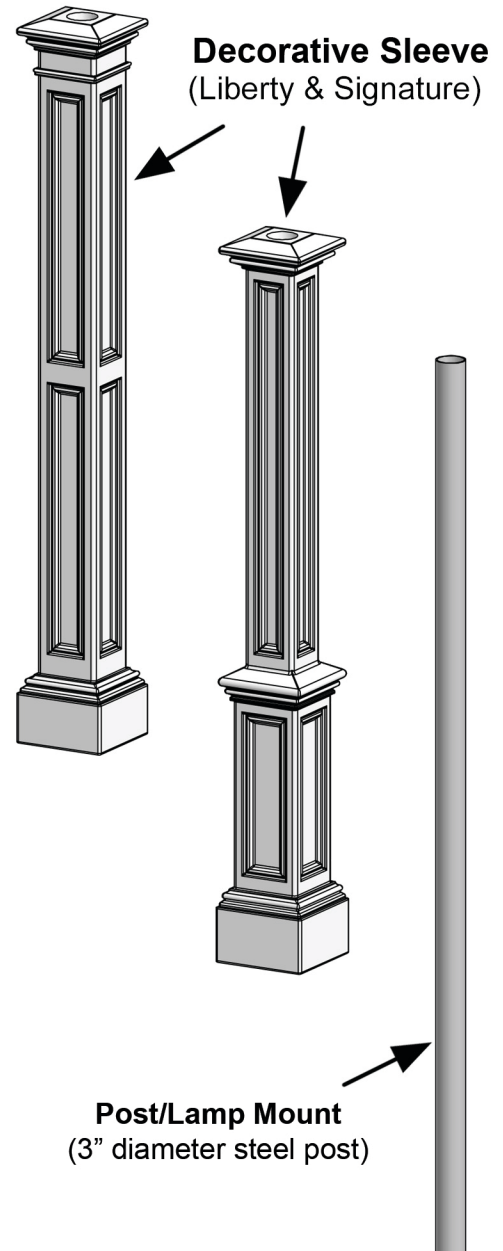
Colors: White, Black  
Material: Polyethylene

#### Contents:

- Decorative Sleeve
- 89" Steel Post/Lamp Mount (optional purchase)

#### Notes:

*Accommodates hard-wired or solar lamps.  
Lamp and wiring materials not included.  
Concrete required for secure installation.*

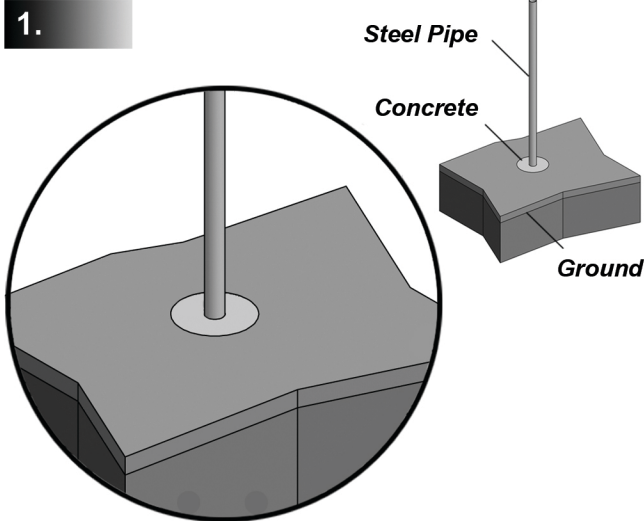


## IMPORTANT NOTE:

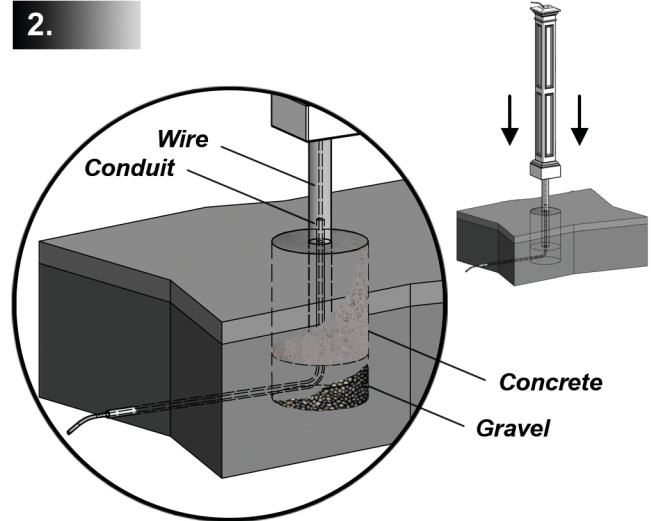
Please refer to local codes before installing outdoor lighting. UF-rated cable should be used for underground wiring and all materials should be approved by the Underwriter's Laboratory (UL). Mayne assumes no liability for errors, omissions, or the outcome of any project.

# Lamp Post Assembly Instructions

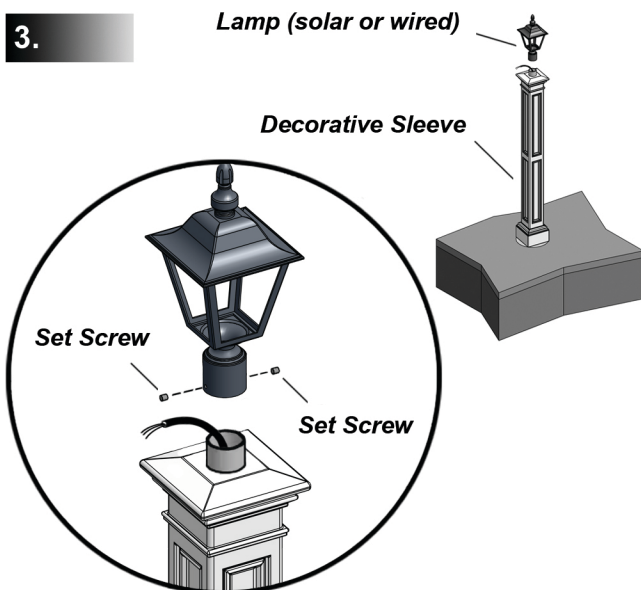
# MIS009



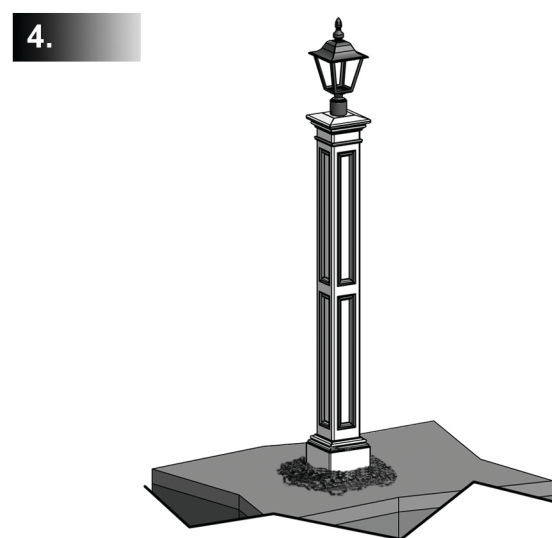
For solar lamp installations simply dig a hole approximately 15 inches deep and set the steel pipe in place leaving 74 inches above ground. Fill in the hole with concrete. For added stability dig a deeper hole and add 6 inches of gravel. This improves drainage and helps prevent heaving from frost.



For hard-wired installations thread UF rated wire through the pipe and into the conduit. The conduit can be buried beside the post or directly in the center of the concrete footing leaving 6 inches exposed above ground. Outdoor wiring should be buried in conduit 18 to 24 inches below ground.



The decorative sleeve should sit flush on the ground leaving two inches of pipe exposed at the top. Connect the wiring and secure the lamp to the post. For solar lights simply secure the lamp to the post.



Remember to leave plenty of extra wire to reach the circuit-breaker panel inside the house. All outdoor wiring should be installed according to local electrical codes and inspected by a licensed electrician. To complete the installation you can back fill dirt around the base of the lamp post.

For questions or concerns please contact us toll free at 866-363-8834 or email [customerservice@gomayne.com](mailto:customerservice@gomayne.com)

**MAYNE**<sup>®</sup>  
Outdoor Products of Distinction  
[www.gomayne.com](http://www.gomayne.com)