

LED Overhead Light Assembly

Tool List

#2 Phillips screwdriver, or
impact driver with #2 Phillips bit

#3 Phillips screwdriver, or
impact driver with #3 Phillips bit

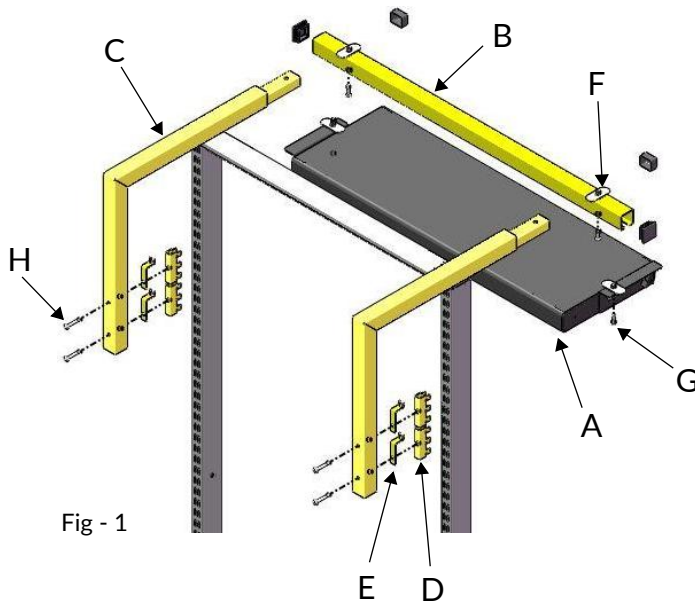


Fig - 1

Part #s

LED243236/LED2432P36

LED243248/LED2432P48

Item	Components	Qty
A	32" LED light housing	1
B	Tool track	1
C	Overhead "L" arms	2
D	"L" arm mounting bracket	2
E	"L" arm security clip	4
F	Oval PEM nut plate	4
G	1/4-20 x 3/4" Phillips pan head screw	4
H	1/4-20 x 1-1/2" Phillips pan head screw	4

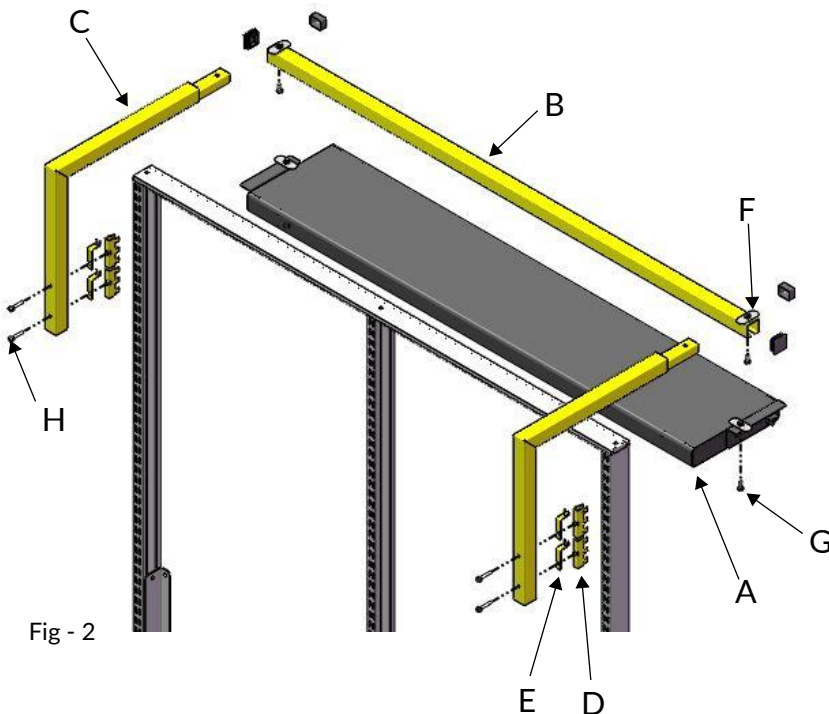


Fig - 2

Part #s

LED225660/LED2256P60

LED225672/LED2256P72

LED243260/LED2432P60

LED243272/LED2432P72

LED245660/LED2456P60

LED245672/LED2456P72

Item	Components	Qty
A	32" or 56" LED light housing	1
B	Tool track	1
C	Overhead "L" arms	2
D	"L" arm mounting bracket	2
E	"L" arm security clip	4
F	Oval PEM nut plate	4
G	1/4-20 x 3/4" Phillips pan head screw	4
H	1/4-20 x 1-1/2" Phillips pan head screw	4

LED Overhead Light Assembly

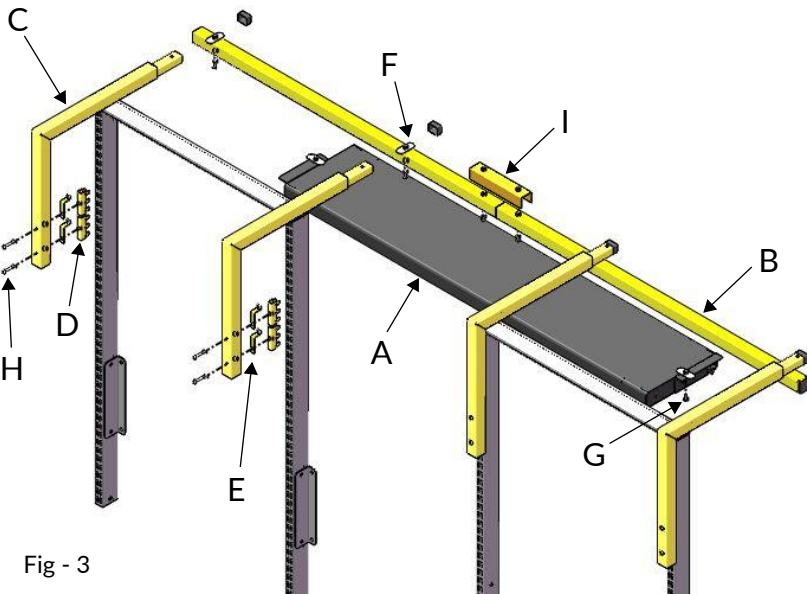


Fig - 3

Part #s

LED225696/LED2256P96

LED243296/LED2432P96

LED245696/LED2456P96

Item	Components	Qty
A	32" or 56" LED light housing	1
B	Tool track	2
C	Overhead "L" arms	4
D	"L" arm mounting bracket	8
E	"L" arm security clip	8
F	Oval PEM nut plate	6
G	1/4-20 x 3/4" Phillips pan head screw	8
H	1/4-20 x 1-1/2" Phillips pan head screw	8
I	Tool track joiner bracket	1

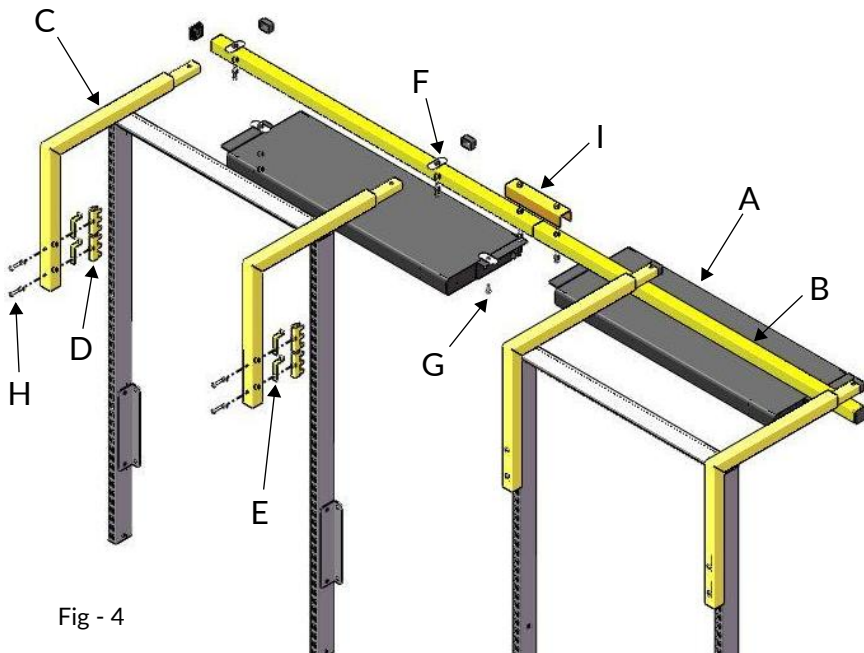


Fig - 4

Part #s

LED246496/LED2464P96

Item	Components	Qty
A	32" LED light housing	2
B	Tool track	2
C	Overhead "L" arms	4
D	"L" arm mounting bracket	8
E	"L" arm security clip	8
F	Oval PEM nut plate	8
G	1/4-20 x 3/4" Phillips pan head screw	10
H	1/4-20 x 1-1/2" Phillips pan head screw	8
I	Tool track joiner bracket	1

LED Overhead Light Assembly

- 1 Insert mounting clips in consecutive slots in the back of the upright
 - a) Insert the lower "L" arm mounting bracket (D) then a security clip (E) (Fig - 5.1)
 - b) Insert the upper "L" arm mounting bracket (D) and another security clip (E) (Fig - 5.3)
 - c) To ensure mounting clips are seated in the slots, drive down clips using a hammer
- 2 Mount overhead "L" arms (C) on to clips using the 1/4-20 x 1-1/2" phillips pan head screws (H) (Fig - 5.4)

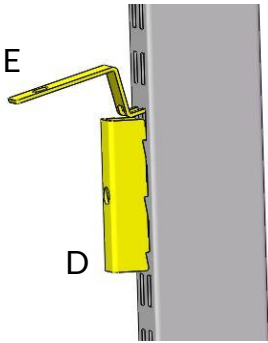


Fig - 5.1

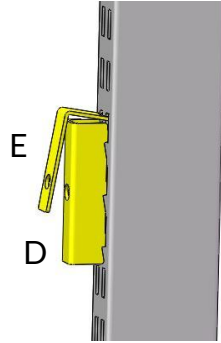


Fig - 5.2

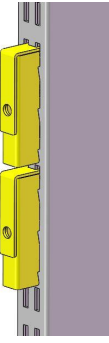


Fig - 5.3

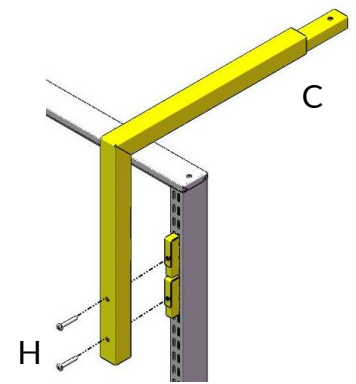


Fig - 5.4

- 3 Loosely attach an oval PEM nut plate (F) to each side of the tool track using 1/4-20 x 3/4" phillips pan head screws (G) (Fig - 6.1). The screw must be inserted through the open slot side of the tool track (B).
- 4 Remove the end caps on the overhead "L" arms (C) then slide the tool track (B) on the "L" arms from the front (Fig - 6.2) and tighten the two screws to secure. Add end caps back onto the "L" arm.
- 5 To adjust the extension channel of the overhead "L" arm (C) loosen the factory installed screw (Fig - 6.3)

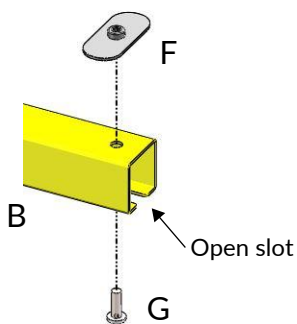


Fig - 6.1

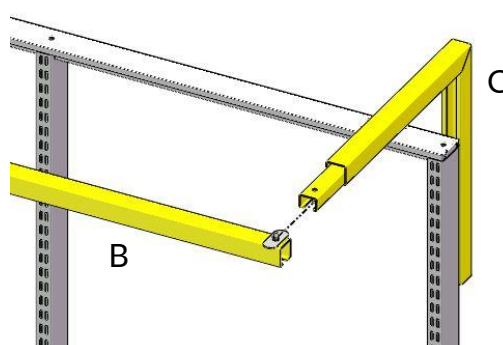


Fig - 6.2

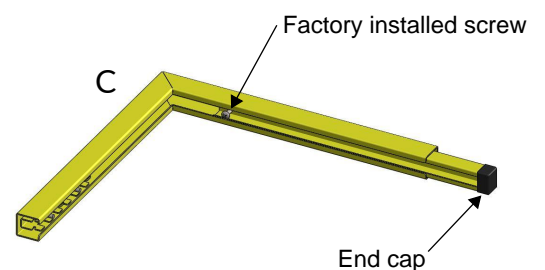


Fig - 6.3

LED Overhead Light Assembly

- 6** Tool track joining assembly for 96" wide options
- Slide both tool tracks (B) onto "L" arms (C) (Fig - 6.2) so the extended ends face each other (Fig - 7)
 - Join the two tracks (B) together with the joiner bracket (I) on top of the tracks (Fig - 7) using 1/4-20 x 3/4" phillips pan head screws (G). Tighten all screws on tool track

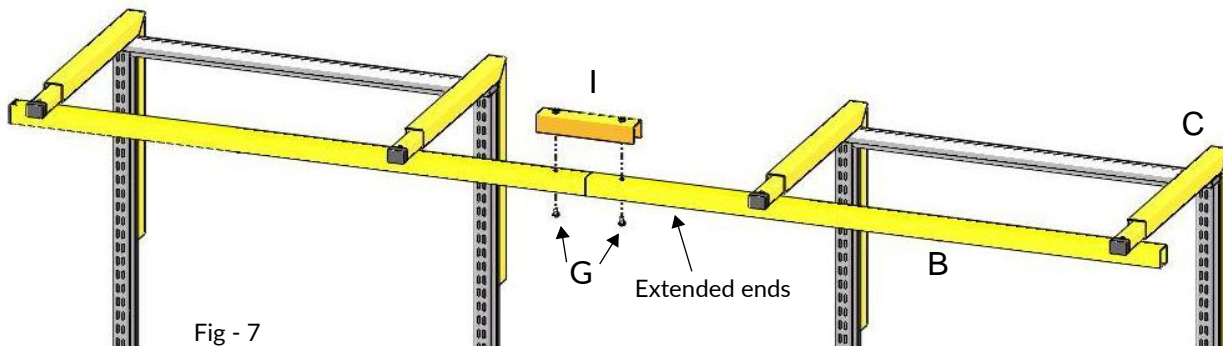


Fig - 7

- 7** LED light housing assembly (Fig - 8.1)
- Use #10-24 x 3/8" phillips pan head screws (K) with #12 flat washers (L) to attach mounting brackets (J) through center hole on each end of light housing (A)
 - Insert adjustment knobs (M) with #12 flat washers (L) through slotted holes in each bracket into light ends
- 8** Loosely attach oval PEM nut plate (F) to top of each mounting bracket (B) using 1/4-20 x 3/4" phillips pan head screws (G) (Fig - 8.2)
- 9** Slide the light housing onto tool track (B) from end (Fig - 8.2) and tighten screws to secure. Insert tool track end caps.

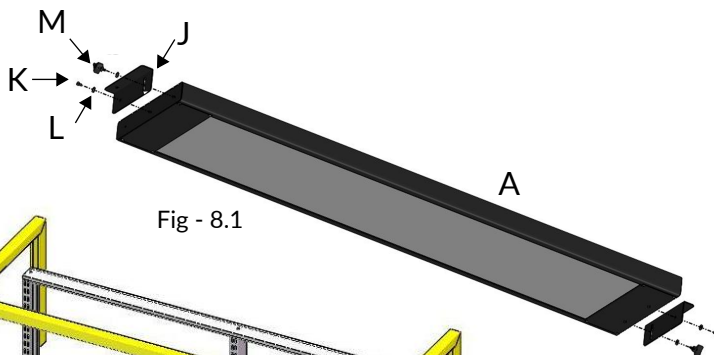


Fig - 8.1

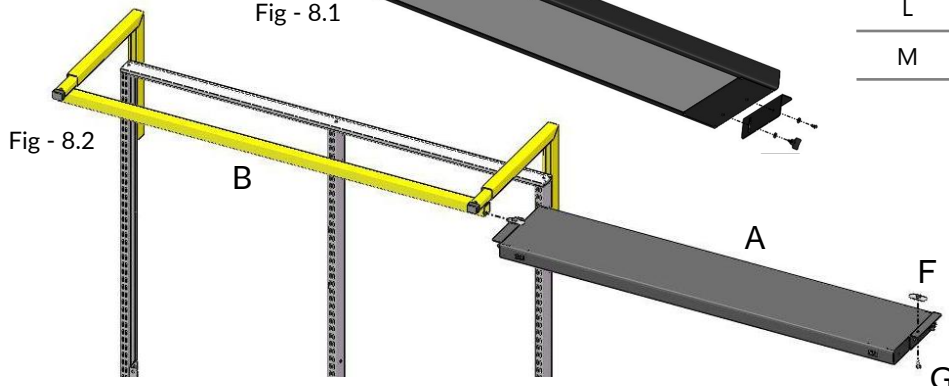


Fig - 8.2

Item	Components	Qty
A	LED light housing	1
J	Light mounting brackets	2
K	#10-24 x 3/8" phillips pan head screw	2
L	#12 flat washer	2
M	Adjustment knob	4