

fig - 1

PKBAA	Hardware List
	1 – Arm Assembly
	2 – M4 x 13 Phillips Pan Head Machine Screw
	1 – Upright Clamp Assembly
	2 - $\frac{5}{16}$ -18 x 1” Hex Head Cap Screws

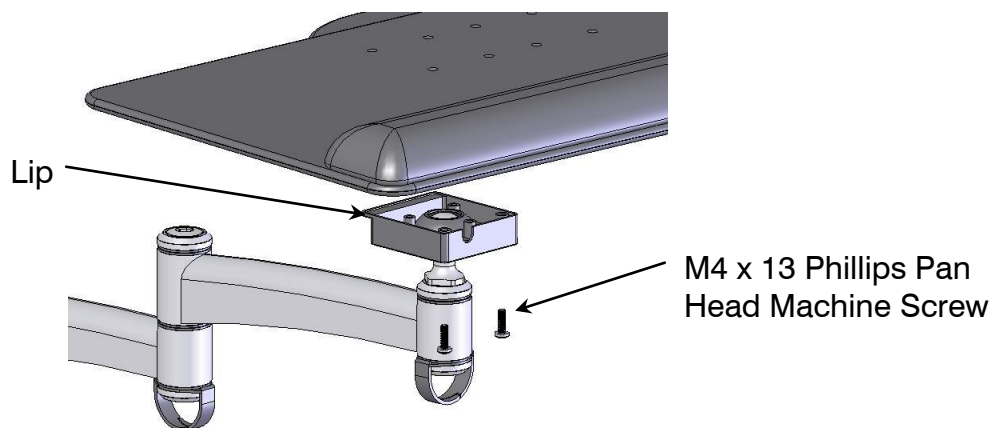


fig - 2

To attach the keyboard tray to the articulating arm, slide the lip of the bracket into the back of the keyboard tray. Then, screw in the two M4 x 13 Phillips Pan Head Machine Screws into the keyboard tray bracket. (See *fig - 2*)

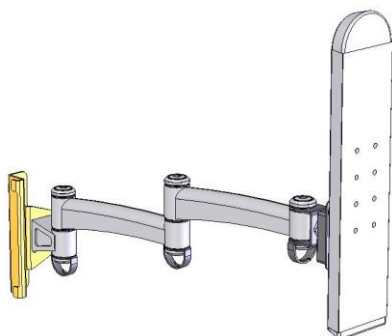


fig - 3

AFPDA	Hardware List
	1 – Sliding Mount
	1 – Arm Assembly
	2 – M4 x 13 Phillips Pan Head Machine Screw
	1 – Upright Clamp Assembly
	2 - $\frac{5}{16}$ -18 x 1” Hex Head Cap Screws

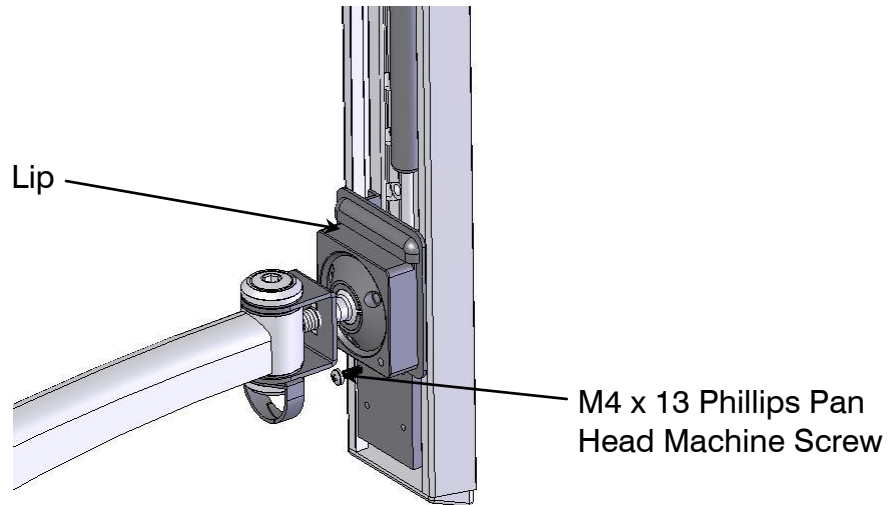


fig - 4

To attach the display arm to the articulating arm, slide the lip of the bracket into the back of the display arm. Then, screw in the two M4 x 13 Phillips Pan Head Machine Screws into the display arm bracket. (See fig - 4)

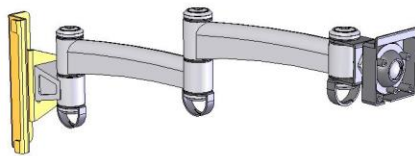


fig - 5

FPDA

Hardware List

- 1 - Arm Assembly
- 1 - Upright Clamp Assembly
- 2 - $\frac{5}{16}$ -18 x 1" Hex Head Cap Screws

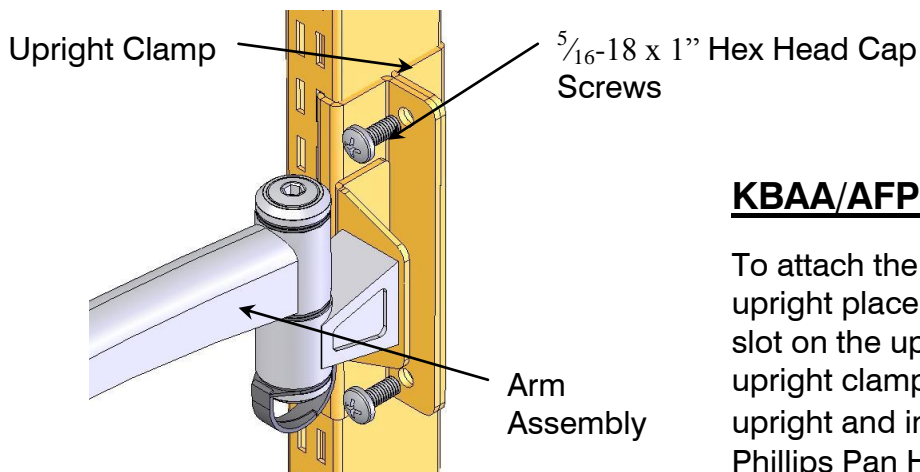


fig - 6

KBAA/AFPDA/FPDA

To attach the articulating arm to the upright place the arm into the desired slot on the upright. Place the other upright clamp on the other side of the upright and insert the two $\frac{5}{16}$ -18 x $\frac{3}{4}$ " Phillips Pan Head Machine Screws provided. (See fig - 6)

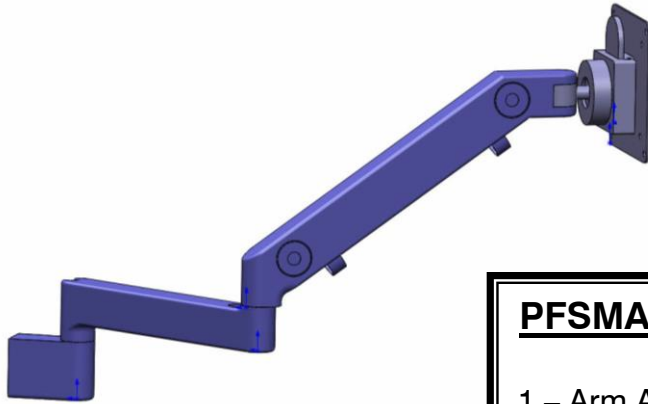


fig - 7

PFSMA

Hardware List

- 1 – Arm Assembly
- 1 – Upright Clamp Assembly
- 2 – $\frac{5}{16}$ -18 x 1” Hex Head Cap Screws

PFSMA

See additional Human Scale directions in the product box for adjusting the control of the arm movement and mounting the monitor plate.

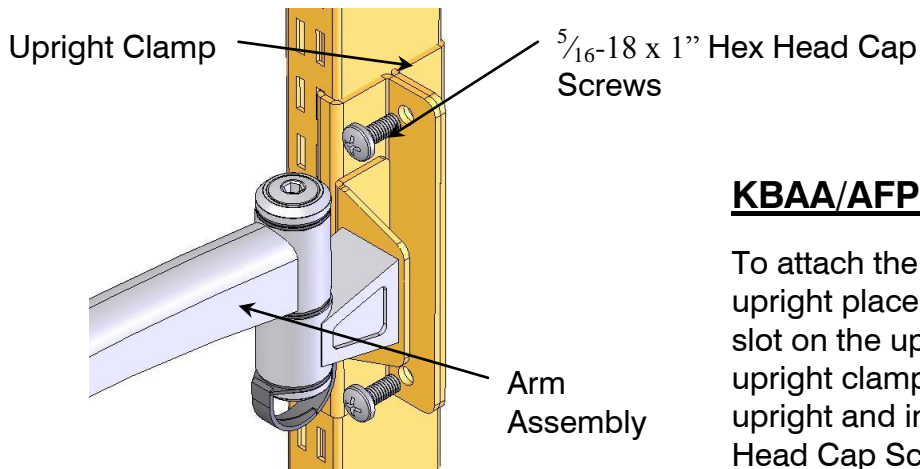


fig - 8

KBAA/AFPDA/FPDA/PFSMA

To attach the articulating arm to the upright place the arm into the desired slot on the upright. Place the other upright clamp on the other side of the upright and insert the two $\frac{5}{16}$ -18 x 1” Hex Head Cap Screws provided. (See fig – 6)

Keyboard/Monitor Arm Bracket Attachment

Hardware List

- 1 – Articulating Arm
- 1 – Upright Clamp Bracket
- 2 – Attachment Screws
- 2 – Lock washers

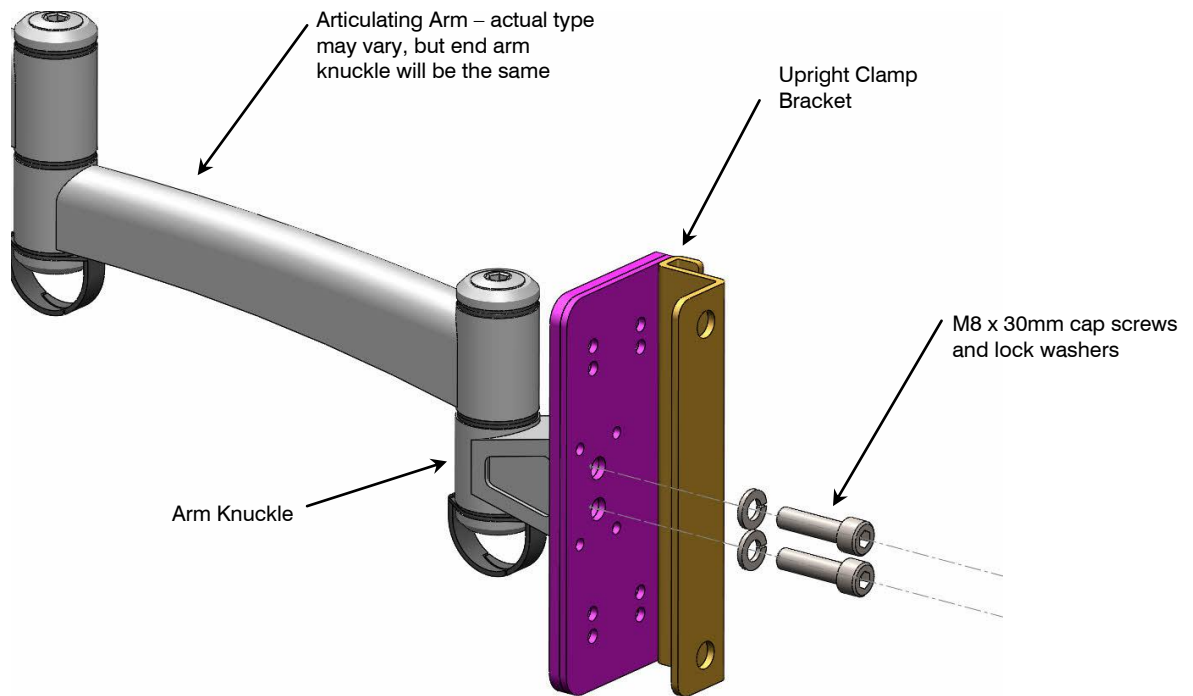


fig – 1

Remove the two M8 Cap Screws from the Arm Knuckle. Align Upright Clamp Bracket with the holes on the Arm Knuckle the M8 Cap Screws were removed from. Insert and tighten the cap screws with lock washers. (See *fig*

– 1)