



SNOWJOE™

EN

CORDLESS SNOW BLOWER

48V MAX* | 4.0 Ah | 18-INCH | LED LIGHT

OPERATOR'S MANUAL

A Division of Snow Joe®, LLC

Model 24V-X2-SB18

Form No. SJ-24V-X2-SB18-880E-MR4


IMPORTANT!

Safety Instructions

All Operators Must Read These Instructions Before Use

Read all instructions when using cordless snow blowers. Basic safety precautions should always be followed to reduce the risk of fire, electric shock, and personal injury.

General Safety Rules

Notice the personal safety alert symbol  used in this manual to draw your attention to a **WARNING** given along with the particular operating instruction. This means that the operation requires special **ATTENTION, CAUTION, and AWARENESS**.

- **Keep work area clean and well lit** – Cluttered, dark areas invite accidents.
- **Keep bystanders away** – All bystanders and pets should be kept a safe distance away from the work area.
- **Dress properly** – Do not wear loose clothing or jewelry. They can get caught in moving parts. Protective rubber gloves and non-slip footwear are recommended when working outdoors.
- **Use the right product** – Do not use this machine for any job except that for which it is intended.
- **⚠CAUTION!** – Exercise caution to avoid slipping or falling. Wear protective footwear that will protect your feet and improve your footing on slippery surfaces.
- **Use safety glasses** – Also use safety footwear, snug-fitting clothing, protective gloves, hearing and head protection.
- **Do not force the snow blower** – Use the snow blower at the rate for which it was designed to ensure optimal performance and safe operation.
- **Stay alert** – Watch what you are doing. Use common sense. Do not operate the snow blower when you are tired or under the influence of alcohol or drugs.
- **Do not overreach** – Keep proper footing and balance at all times.
- **Store indoors** – When not in use, the snow blower should be kept dry and stored out of the reach of children in a high or locked place.
- **Maintain snow blower with care** – Follow instructions for lubricating and changing accessories.

⚠WARNING! Always disengage the switch lever and remove the battery pack before making any adjustments, inspecting, servicing, changing accessories, cleaning the snow blower, or when any other dangerous conditions are present. Any such operation should be performed after revolving parts inside the snow blower stop completely. Such preventive safety measures reduce the risk of starting the power tool accidentally.

⚠WARNING! When replacing any parts, you must strictly observe the instructions and procedures described in this user manual. Special care should be paid to any rubber parts, since these parts may increase the motor load and decrease its mechanical power if damaged.

⚠WARNING! If you notice that the snow blower is not running properly or hear abnormal sounds from the motor when it is in use, immediately stop the machine, disconnect the battery, and contact your service center.

- **Surfaces** – This snow blower is intended for use on paved surfaces. Do not use on gravel, stone or other unpaved surfaces unless the snow blower is adjusted for such surfaces according to the instructions given in the operator's manual.
- **Moving parts present risks** – Keep your face, hair, clothing, hands, and feet away from moving parts. All guards and safety attachments must be installed properly before using the unit. Shut off and disconnect the battery before touching any parts other than the handles and switch.
- **Avoid unintentional starting** – Make sure the safety switch and the switch lever are in the off position before inserting the battery in the unit. Do not carry the snow blower with the safety switch and the switch lever engaged.
- **Do not overreach** – Maintain proper footing and balance at all times. Place heels firmly on the ground and tightly grasp the handle bar. Watch for uneven surfaces and do not overreach. In case you fall or collide with the snow blower, inspect the unit for any damages or cracks. When stepping backwards, be careful to avoid obstacles beneath your feet or behind you to avoid falling.

⚠WARNING! If the snow blower strikes any object, follow these steps:

- Stop the snow blower. Remove the battery.
- Inspect for damage.
- Repair any damage before restarting and operating the snow blower.

Battery & Charger Safety Instructions

We pay a great deal of attention to the design of every battery pack to ensure that we supply you with batteries that are safe, durable and have a high energy density. The battery cells have a wide range of safety devices. Each individual cell is initially formatted and its electrical characteristic curves are recorded. This data is then used exclusively to be able to assemble the best possible battery packs.

Despite all the safety precautions, caution must always be exercised when handling batteries. The following points must be obeyed at all times to ensure safe use. Safe use can only be guaranteed if undamaged cells are used. Incorrect handling of the battery pack can cause cell damage.

IMPORTANT! Analyses confirm that incorrect use and poor care of high-performance batteries are the main factors responsible for personal and/or product damage.

⚠️ WARNING! Read all safety warnings and instructions. Failure to follow the warnings and instructions may result in electric shock, fire and/or serious injury

⚠️ WARNING! Use only approved replacement batteries; other batteries may damage the snow blower and cause it to malfunction.

⚠️ CAUTION! To reduce the risk of injury, charge the iON+ 24V lithium-ion battery packs only in their designated iON+ 24V lithium-ion charger. Other types of chargers present risk of fire, personal injury and damage. Do not wire a battery pack to a power supply plug or car cigarette lighter. Such misuse will permanently disable or damage the battery pack.

- **Avoid dangerous environments** – Do not charge the battery pack in rain, snow or in damp or wet locations. Do not use the battery pack or charger in the presence of explosive atmospheres (gaseous fumes, dust or flammable materials) because sparks may be generated when inserting or removing the battery pack, which could lead to a fire.
- **Charge in a well-ventilated area** – Do not block the charger vents. Keep them clear to allow for proper ventilation. Do not allow smoking or open flames near a charging battery pack. Vented gases may explode.

NOTE: The safe temperature range for the battery is -4°F – 113°F (-20°C – 45°C). Do not charge the battery outside in freezing weather; charge it at room temperature.

- **Maintain charger cord** – When unplugging the charger, pull the plug, not the cord, from the receptacle to reduce the risk of damage to the electrical plug and cord. Never carry the charger by its cord or yank it by the cord to disconnect it from the receptacle. Keep the cord away from heat, oil and sharp edges. Make sure the cord will not be stepped on, tripped over or subjected to damage or stress when the charger is in use. Do not use the charger with a damaged cord or plug. Replace a damaged charger immediately.

- **Do not use an extension cord unless it is absolutely necessary** – Using the wrong, damaged or improperly wired extension cord poses a risk of fire and electric shock. If an extension cord must be used, plug the charger into a properly wired 16 gauge or larger extension cord with the female plug matching the male plug on the charger. Make sure that the extension cord is in good electrical condition.
- **Charger 24VCHRG-DPC is rated for 120 volt AC only** – The charger must be plugged into an appropriate receptacle.
- **Use only recommended attachments** – Use of an attachment not recommended or sold by the battery charger or battery pack manufacturer may result in risk of fire, electric shock or personal injury.
- **Unplug charger when not in use** – Make sure to remove battery packs from unplugged chargers.

⚠️ WARNING! To reduce the risk of electric shock, always unplug the charger before performing any cleaning or maintenance. Do not allow water to flow into the charger. Use a Ground Fault Circuit Interrupter (GFCI) to reduce shock hazards.

- **Do not burn or incinerate battery packs** – Battery packs may explode, causing personal injury or damage. Toxic fumes and materials are created when battery packs are burned.
- **Do not crush, drop or damage battery packs** – Do not use the battery pack or charger if they have sustained a sharp blow, been dropped, run over or have been damaged in any way (i.e. pierced with a nail, hit with a hammer, stepped on, etc.).
- **Disconnect the battery pack from the appliance before making any adjustments, changing accessories, or storing appliance** – Such preventive safety measures reduce the risk of starting the appliance accidentally.
- **Avoid unintentional starting** – Make sure the safety switch and the switch lever are in the off position before inserting the battery in the unit. Do not carry the snow blower with the safety switch and the ON/OFF trigger engaged.
- **When battery pack is not in use, keep it away from other metal objects** – like paper clips, coins, keys, nails, screws or other small metal objects that can make a connection from one terminal to another. Shorting the battery terminals together may cause burns or a fire.
- **Under abusive conditions, liquid may be ejected from the battery; avoid contact** – If contact accidentally occurs, flush with water. If liquid contacts eyes, additionally seek medical help. Liquid ejected from the battery may cause irritation or burns.
- **Do not use a battery pack or appliance that is damaged or modified** – Damaged or modified batteries may exhibit unpredictable behavior resulting in fire, explosion or risk of injury.
- **Do not expose a battery pack or appliance to fire or excessive temperature** – Exposure to fire or temperature above 130°C (265°F) may cause explosion.

- **Follow all charging instructions and do not charge the battery pack or appliance outside of the temperature range specified in the instructions** – Charging improperly or at temperatures outside of the specified range may damage the battery and increase the risk of fire.
 - **Have servicing performed by a qualified repair person using only identical replacement parts** – This will ensure that the safety of the product is maintained.
 - **Do not modify or attempt to repair the appliance or the battery pack** – (as applicable) except as indicated in the instructions for use and care.
 - **Do not disassemble** – Incorrect reassembly may pose a serious risk of electric shock, fire or exposure to toxic battery chemicals. If the battery or charger are damaged, please contact an authorized Snow Joe® + Sun Joe® dealer or call the Snow Joe® + Sun Joe® customer service center at 1-866-SNOWJOE (1-866-766-9563).
 - **Battery chemicals cause serious burns** – Never let a damaged battery pack contact the skin, eyes or mouth. If a damaged battery pack leaks battery chemicals, use rubber or neoprene gloves to safely dispose of it. If skin is exposed to battery fluids, wash the affected area with soap and water and rinse with vinegar. If eyes are exposed to battery chemicals, immediately flush with water for 20 minutes and seek medical attention. Remove and dispose of contaminated clothing.
 - **Store your battery pack and charger in a cool, dry place** – Do not store the battery pack or charger where temperatures may exceed 104°F (40°C), such as in direct sunlight or inside a vehicle or metal building during the summer.
8. Protect the battery and the tool from overloads. Overloads will quickly result in overheating and cell damage inside the battery housing even if this overheating is not apparent externally.
 9. Avoid damage and shocks. Immediately replace batteries that have been dropped from a height of more than one meter or those that have been exposed to violent shocks, even if the housing of the battery pack appears to be undamaged. The battery cells inside the battery may have suffered serious damage. In such instances, please read the waste disposal information for proper battery disposal.
 10. If the battery pack suffers overloading and overheating, the integrated protective cutoff will switch off the equipment for safety reasons. If this situation happens, stop the tool and let the battery cool down for a few minutes before restarting.
IMPORTANT! Do not press the ON/OFF trigger any more if the protective cut-off has been activated. This may damage the battery pack.
 11. Use only original battery packs. The use of other batteries poses a fire risk and may result in injuries or an explosion.

Information about the battery

1. The battery packs supplied with your cordless snow blower are only partially charged. The battery packs have to be charged completely before you use the tool for the first time.
2. For optimum battery performance, avoid low discharge cycles by charging the battery pack frequently.
3. Store the battery pack in a cool place, ideally at 59°F (15°C) and charged fully.
4. Lithium-ion batteries are subject to a natural aging process. The battery pack must be replaced at the latest when its capacity falls to just 80% of its capacity when new. Weakened cells in an aged battery pack are no longer capable of meeting the high power requirements needed for the proper operation of your snow blower, and therefore pose a safety risk.
5. Do not throw battery packs into an open fire as this poses a risk of explosion.
6. Do not ignite the battery pack or expose it to fire.
7. Do not exhaustively discharge batteries. Exhaustive discharge will damage the battery cells. The most common cause of exhaustive discharge is lengthy storage or non-use of partially discharged batteries. Stop working as soon as the performance of the battery falls noticeably or the electronic protection system triggers. Place the battery pack in storage only after it has been fully charged.
8. Never use or charge batteries if you suspect that it has been more than 12 months since the last time they were charged. There is a high probability that the battery pack has already suffered dangerous damage (exhaustive discharge).

Information about the charger and the charging process

1. Please check the data marked on the rating plate of the battery charger. Be sure to connect the battery charger to a power supply with the voltage marked on the rating plate. Never connect it to a different mains voltage.
2. Protect the battery charger and its cord from damage. Keep the charger and its cord away from heat, oil and sharp edges. Have damaged cords repaired without delay by a qualified technician at an authorized Snow Joe® + Sun Joe® dealer or call the Snow Joe® + Sun Joe® customer service center at 1-866-SNOWJOE (1-866-766-9563).
3. Electrical plugs must match the outlet. Never modify the plug in any way. Do not use any adapter plugs with grounded appliances. Unmodified plugs and matching outlets will reduce the risk of electric shock.
4. Keep the battery charger, battery pack(s) and the cordless tool out of the reach of children.
5. Do not use the supplied battery charger to charge other cordless tools.
6. During periods of heavy use, the battery pack will become warm. Allow the battery pack to cool to room temperature before inserting it into the charger to recharge.
7. Do not overcharge batteries. Do not exceed the maximum charging times. These charging times only apply to discharged batteries. Frequent insertion of a charged or partially charged battery pack will result in overcharging and cell damage. Do not leave batteries in the charger for days on end.
8. Never use or charge batteries if you suspect that it has been more than 12 months since the last time they were charged. There is a high probability that the battery pack has already suffered dangerous damage (exhaustive discharge).

9. Charging batteries at a temperature below 41°F (5°C) will cause chemical damage to the cells and may cause a fire.
10. Do not use batteries that have been exposed to heat during the charging process, as the battery cells may have suffered dangerous damage.
11. Do not use batteries that have suffered curvature or deformation during the charging process or those that exhibit other atypical symptoms (gassing, hissing, cracking, etc.)
12. Never fully discharge the battery pack (maximum recommended depth of discharge is 80%). A complete discharge of the battery pack will lead to premature aging of the battery cells.

Protection from environmental influences

1. Wear suitable work clothes. Wear safety goggles.
2. Protect your cordless tool and the battery charger from moisture and rain. Moisture and rain can cause dangerous cell damage.
3. Do not use the cordless tool or the battery charger near vapors and flammable liquids.
4. Use the battery charger and cordless tools only in dry conditions and at an ambient temperature of 50°F – 104°F (10°C – 40°C).
5. Do not keep the battery charger in places where the temperature is liable to reach over 105°F (40.5°C). In particular, do not leave the battery charger in a car that is parked in the sunshine.
6. Protect batteries from overheating. Overloads, overcharging and exposure to direct sunlight will result in overheating and cell damage. Never charge or work with batteries that have been overheated – replace them immediately, if possible.
7. Store the charger and your cordless tool only in dry locations with an ambient temperature of 50°F – 104°F (10°C – 40°C). Store your lithium-ion battery pack in a cool, dry place at a temperature of 50 – 68°F (10 – 20°C). Protect the battery pack, charger and cordless tool from humidity and direct sunlight. Only place fully charged batteries in storage.
8. Prevent the lithium-ion battery pack from freezing. Battery packs that were stored below 32°F (0°C) for more than 60 minutes must be discarded.
9. When handling batteries, be wary of electrostatic charge. Electrostatic discharges can damage the electronic protection system and the battery cells. Avoid electrostatic charging and never touch the battery poles.

Additional Safety Instructions

Safety Instructions for Walk-Behind Snow Blowers

- **Read the operator's manual carefully** – Learn your snow blower's applications and limitations as well as the specific potential hazards related to this machine. Do not use this machine for any purpose other than the one for which it was designed. Failure to adhere to these precautions may cause mechanical defaults, serious damage, or personal injury.
- **Preliminary unit inspection** – Thoroughly inspect the unit before use. Make sure all the parts are secure and installed correctly. If you notice any abnormalities, do not use the machine until it has been properly repaired. Always perform a test run the first time you use the snow blower or after replacing parts to ensure that the unit is functioning properly.
- **Preliminary area inspection** – Clear the area to be plowed before each use. Remove all objects such as rocks, broken glass, nails, wire, or string, which can be thrown by or become entangled in the snow blower. Keep the area of operation clear of all people, children, and pets.
- **Excessive force** – The snow blower was designed to respond at a certain rate for various snow conditions for optimal safety and performance. Do not force it; keep the applied pressure constant throughout its operation.
- **Malfunctioning switch** – Do not use the snow blower if the switch does not turn it on and off. Any appliance that cannot be controlled by the switch is not safe to use and must be repaired.
- **Hitting an object** – If the snow blower accidentally strikes an object, first stop the snow blower and remove the battery; next, inspect for damage; finally, repair or replace any damaged part before restarting and operating the snow blower.
- **Discharge chute safety** – Never direct the snow discharge chute at the operator, at bystanders, at vehicles, or at windows. The discharged snow, which may contain foreign objects accidentally picked up by the snow blower, can cause serious damage and personal injury. Do not use your hands to unclog the discharge chute. Stop the motor before removing debris.
- **Hand-held operating position** – Operation of the snow blower in the hand-held position is unsafe.
- **Abnormal operation** – If you find that the snow blower is not running properly or hear abnormal sounds or feel abnormal vibrations from the motor, immediately stop the machine, remove the battery, and contact an authorized Snow Joe® + Sun Joe® dealer or call the Snow Joe® + Sun Joe® customer service center at 1-866-SNOWJOE (1-866-766-9563) for assistance.
- **Noise control** – When using the snow blower, respect the local laws and regulations regarding noise control and environmental protection. To avoid noise disturbance, you should carefully decide upon an appropriate operation time and consider the surrounding conditions.

- **When work is completed** – Remove the battery pack from the snow blower when not in use, when changing accessories, and before performing any maintenance task.
- **Store safely** – Store the snow blower indoors in a dry area between uses. Keep in a locked area, where children and unauthorized users cannot gain access. Never store the snow blower with the battery pack installed. It may cause damage and injury.
- **Maintain for safety and longevity** – Check for misalignment or binding of moving parts, breakage of parts, and any other conditions that may affect the unit's operation. If damaged, repair or replace the damaged part before use. Use only those replacement parts made for your model. When replacing any parts, you must strictly observe the instructions and procedures described in this manual. Special care should be paid to any rubber parts, since these parts may increase the motor load and decrease its mechanical power if damaged.
- **Rotating parts** – Do not put hands or feet near or under rotating parts. Keep clear of the discharge opening at all times.
- **Hidden hazards** – Exercise extreme caution when operating on or crossing gravel drives, walks, or roads. Stay alert for hidden hazards or traffic.
- Exercise extreme caution when operating on slopes. Never operate the machine at high transport speeds on slippery surfaces. Look behind and use care when operating in reverse.
- Never operate the snow blower without good visibility or light. Always be sure of your footing, and keep a firm hold on the handles. Walk; never run.
- Do not overload the machine capacity by attempting to clear snow at too fast a rate.
- Never allow children to operate the equipment. Never allow adults to operate the equipment without proper instruction.
- Adjust the collector housing height to clear gravel or crushed rock surface.
- Always wear safety glasses or eye shields during operation or while performing an adjustment or repair to protect eyes from foreign objects that may be thrown from the machine.

Electrical Safety

- **Avoid accidental starting** – Make sure the safety switch and the ON/OFF trigger is in the OFF position before inserting the battery pack into the unit. Do not carry the snow blower with the safety switch and ON/OFF trigger engaged.

Clearing a Clogged Discharge Chute















Hand contact with the rotating impeller inside the discharge chute is the most common cause of injury associated with snow blowers. Never use your hand to clean out the discharge chute.

To clear the chute:

- i) SHUT THE MOTOR OFF!
- ii) Wait 10 seconds to be sure the impeller blades have stopped rotating.
- iii) Always use a clean-out tool, not your hands.

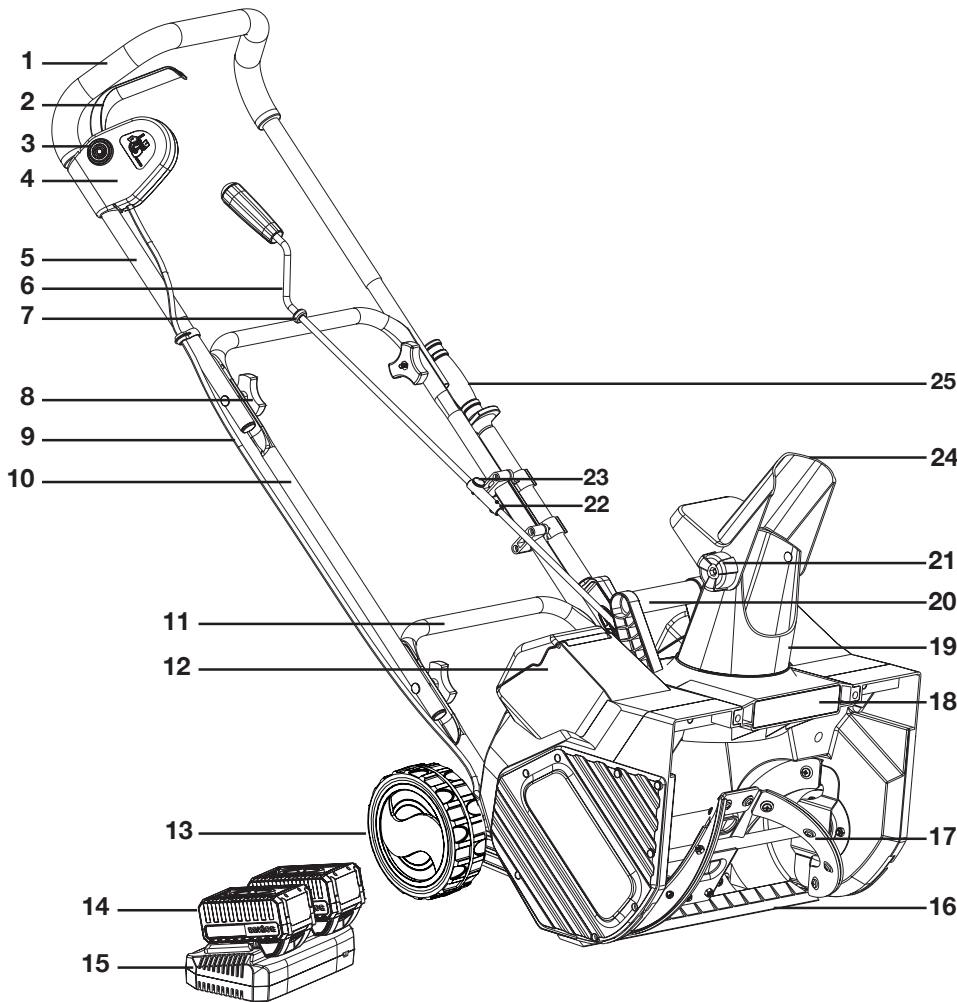
Safety Symbols

The following table depicts and describes safety symbols that may appear on this product. Read, understand and follow all instructions on the machine before attempting to assemble and operate.

Symbols	Descriptions	Symbols	Descriptions
	READ THE OPERATOR'S MANUAL(S) – Read, understand and follow all instructions in the user manual(s) before attempting to assemble and operate.		WARNING! Do not expose the unit to rain or wet conditions. Keep dry.
	SAFETY ALERT – Indicates a precaution, a warning or a danger.		DANGER! Cutting/dismemberment hazard - Keep feet away from the rotating auger.
	Wear hearing protection. Wear eye protection. Wear breathing protection.		CAUTION! Beware of stones and other foreign objects that could be thrown from the appliance.
	Keep hands, feet and clothing away from the rotating auger to avoid injury.		The rotating part will continuously run for several seconds after you turn off the machine.
	Wear protective gloves and non-slip footwear when using the machine and handling debris.		Keep bystanders and children a safe distance (at least 33 ft/10 m) away from the work area.
	Do not use hands to unclog chute.		DANGER! Cutting/dismemberment hazard – Keep hands away from the rotating auger. Do not use hands to unclog rotor housing. Stop motor before removing debris.
	WARNING! Always turn the machine OFF before conducting inspection, cleaning and maintenance.		Indoor use only. Only use battery charger indoors.

Know Your Cordless Snow Blower

Read the owner's manual and safety rules carefully before operating your cordless snow blower. Compare the illustration below to the actual unit in order to familiarize yourself with the location of the various controls and adjustments. Save this manual for future reference.



1. Handle bar
2. ON/OFF trigger
3. Safety lock button
4. Switch box
5. Upper frame
6. Upper crank rod
7. Rubber ring
8. Handle knobs and bolts (4)
9. Cord
10. Middle frame
11. Lower frame
12. Battery compartment (2)
13. Wheel (2)
14. 24V iON+ lithium-ion battery (24VBAT) featuring exclusive EcoSharp® technology (2)
15. 24V iON+ lithium-ion dual-port charger (24VCHRG-DPC)
16. Scraper bar
17. Auger
18. LED light
19. Discharge chute
20. Auxiliary handle
21. Deflector knob
22. Crank rod connector
23. Thumbscrew
24. Chute deflector
25. Clean out tool

Technical Data

Motor	1200 W Brushless	Clearing Width	18 in. (46 cm)
Battery Voltage Max*	48V D.C. (2 x 24V)	Depth of Snow Cut	10 in. (25.4 cm)
Battery Capacity	4.0 Ah	Throw Distance Max	20 ft (6 m)
Charger Input	120V AC, 60 Hz, 160 W	Stages	Single stage
Charger Output	26V DC, 2 x 2.2A	Directional Control	180° adjustable chute
Charge Time Max	1 hr 50 mins	LED Light	2 W
No Load Speed	2,500 rpm	Tire size	6.5 in (16.5 cm)
Auger	4 rubber-tipped steel blades	Net Weight	39 lbs (17.7 kg)

*Generates 48 V max with two 24 V lithium-ion batteries. Initial no-load voltage, per fully charged battery, peaks at 24 V. Nominal voltage under typical load is 21.6 V.

Unpacking

Carton Contents:

- Cordless snow blower
- Joint-fixing knob and bolt (4)
- Upper crank rod (assembled)
- Clean out tool (assembled)
- 24V iON+ lithium-ion battery (2)
- 24V iON+ lithium-ion dual port charger
- Manual with registration card

1. Carefully remove the cordless snow blower and check to see that all of the above items are supplied.
2. Inspect the product carefully to make sure no breakage or damage occurred during shipping. If you find damaged or missing parts, DO NOT return the unit to the store. Please call the Snow Joe® + Sun Joe® customer service center at 1-866-SNOWJOE (1-866-766-9563).

NOTE: Do not discard the shipping carton and packaging material until you are ready to use the cordless snow blower. The packaging is made of recyclable materials. Properly dispose of these materials in accordance with local regulations or save the packaging for long-term product storage.

IMPORTANT! The equipment and packaging material are not toys. Do not let children play with plastic bags, foils or small parts. These items can be swallowed and pose a suffocation risk!

Battery Pack Operation





The equipment is powered by 2 lithium-ion batteries. The battery packs are completely sealed and maintenance free.

⚠️ WARNING! The cordless snow blower can only be powered by both of the batteries together. One battery cannot provide sufficient power to the tool. Make sure to use two batteries of the same voltage and the same capacity. Using the tool with batteries of different capacity will cause damage to the batteries.

Battery Charge Level Indicator

The battery packs are equipped with a push button for checking the charge level. Simply press the push button to read off the battery charge level from the LEDs of the battery indicator:

- All 3 level monitoring LEDs are lit: Battery charge level is high.
- 2 level monitoring LEDs are lit: Battery charge level is decreasing. Stop work as soon as possible.
- 1 level monitoring LED is lit: Battery is flat. Stop work IMMEDIATELY and charge the battery. Otherwise the battery's service life will be greatly shortened.

Lights	Light Indicators
	Charge level button
	The battery is at 30% capacity and requires charging
	The battery is at 60% capacity and requires charging soon
	The battery is at full capacity

NOTE: If the charge level button does not appear to be working, place the battery pack on the charger and charge as needed.

NOTE: Immediately after using the battery packs, the charge level button may display a lower charge than it will if checked a few minutes later. The battery cells "recover" some of their charge after resting.

Charger Operation

⚠️ WARNING! Charge only iON+ 24V lithium-ion battery packs with its compatible iON+ 24V lithium-ion charger. Other types of batteries may cause personal injury and damage.

To reduce the risk of electric shock, do not allow water to flow into the charger's AC/DC plug.

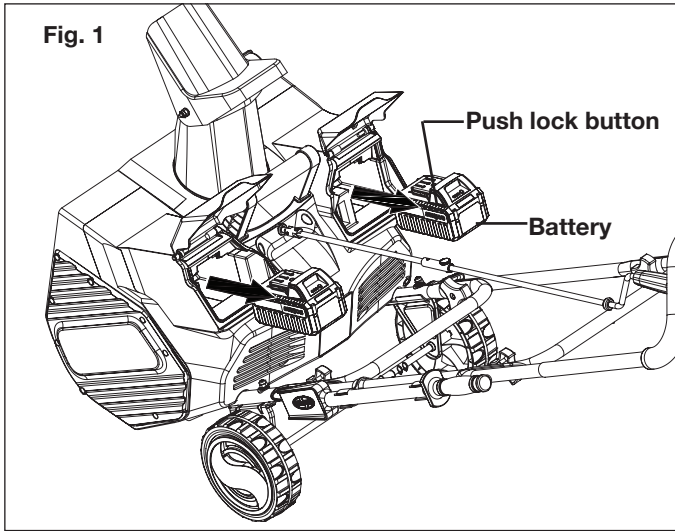
When to Charge the iON+ 24VBAT Lithium-iON Batteries

NOTE: The iON+ 24VBAT lithium-ion battery packs do not develop a "memory" when charged after only a partial discharge. Therefore, it is not necessary to run down the battery pack before inserting the charger plug.

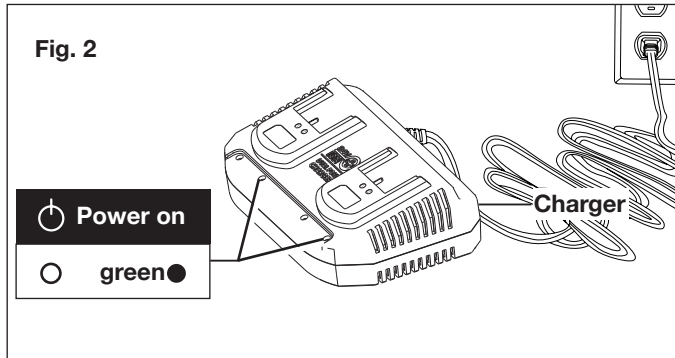
- Use the battery indicator lights to determine when to charge your iON+ 24VBAT lithium-ion battery packs.
- You can "top-off" your battery pack's charge before starting a big job or after a long day of use.

Charging the Batteries

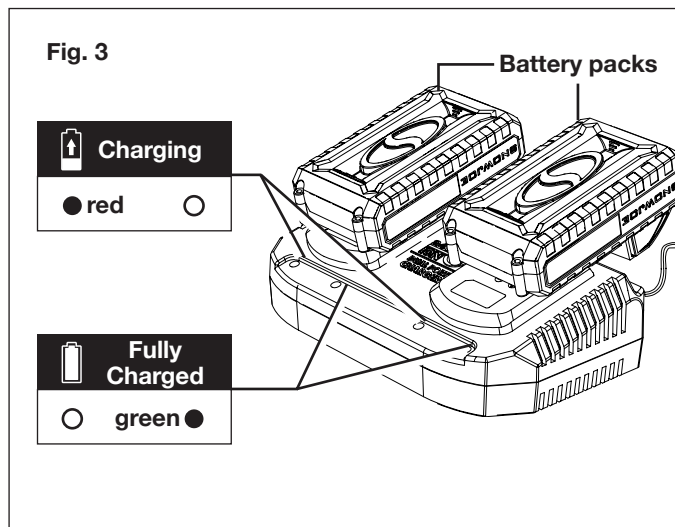
1. Press the push lock buttons on the batteries to pull them out of the equipment (Fig. 1).



2. Check that the mains voltage is the same as that marked on the rating plate of the battery charger. Then, insert the charger's plug into the electrical wall outlet. When you plug in the charger, two green lights will illuminate and stay green (Fig. 2).



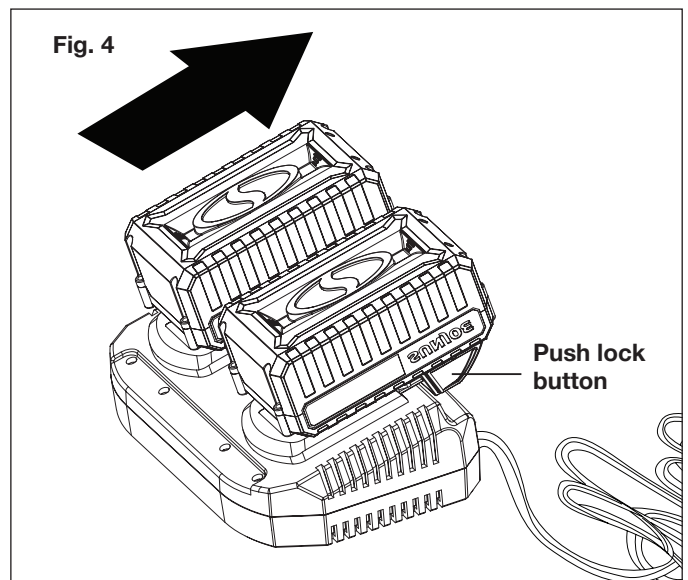
3. Place the battery packs into the charger by sliding the packs to lock them into position. When you insert the batteries into the charger, the two green lights will go off, and the red lights will illuminate to indicate that the batteries are charging (Fig. 3).



4. When the charger lights turn green, the batteries are fully charged (Fig. 3).

NOTE: A fully discharged pack with an internal temperature in the normal range will fully charge in 1 hrs and 50 mins (between 32°F/0°C and 113°F/45°C).

5. If the light indicators do not come on at all, check that the battery packs are fully seated into the bay. Remove the battery packs and reinsert. If the problem persists, contact an authorized Snow Joe® + Sun Joe® dealer or call the Snow Joe® + Sun Joe® customer service center at 1-866-SNOWJOE (1-866-766-9563) for assistance.
6. When charging is complete, remove the batteries from the charger by pressing the push lock buttons and sliding the batteries backward to unlock them from the charger (Fig. 4).



7. Timely recharging of the batteries will help prolong the batteries' life. You must recharge the battery packs when you notice a drop in the equipment's power.

IMPORTANT! Never allow the battery packs to become fully discharged as this will cause irreversible damage to the batteries.

Charging a Hot or Cold Battery Pack

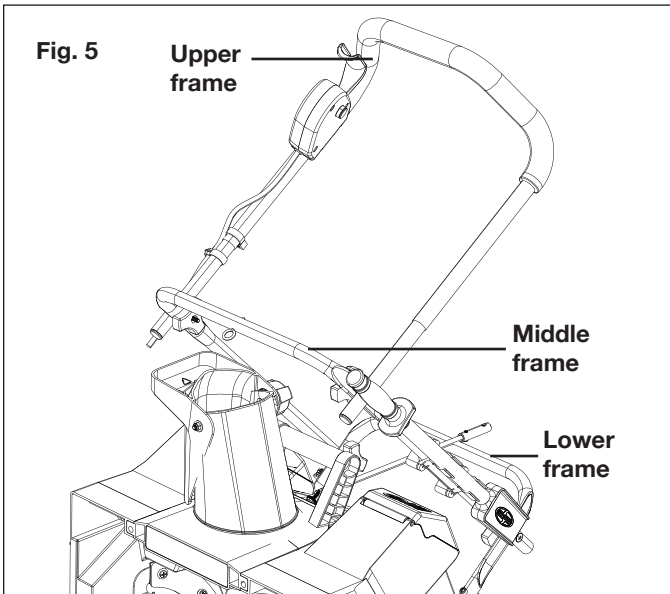
The green indicator lights on the charger base indicates that the battery pack temperatures are outside the charging range. Once the pack are within the acceptable range, normal charging will take place and the red light will be continuous. Hot or cold battery packs may take longer to charge.

Lithium-Ion Charging Status			
Battery Pack Temperature	Charger Base Indicator Light	Battery Pack Indicator Light	Charging Status
Too hot	Green	Flashing together	Not charging
Normal range	Red	Flashing one by one	Normal charging
Too cold	Green	Flashing together	Not charging

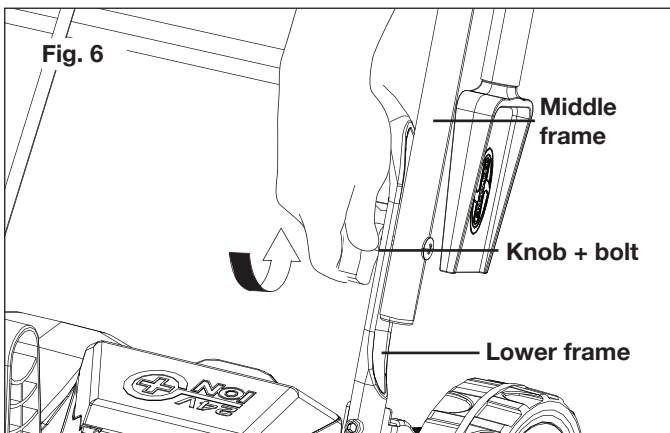
Assembly

Assembling the handles

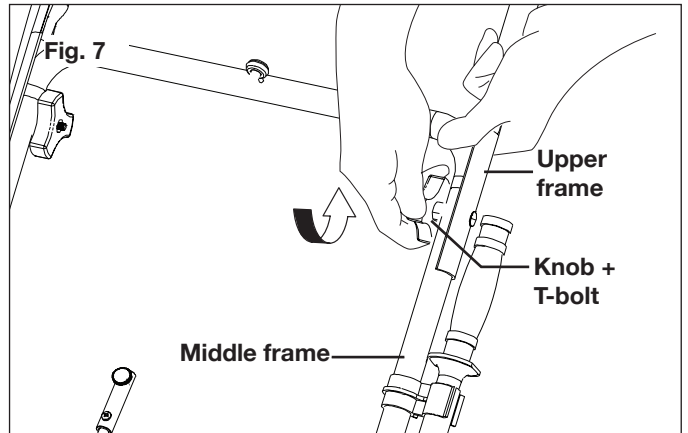
1. For easy assembly, the unit comes complete with most parts already connected. To complete the handle assembly, simply pull the middle frame back and pull the upper frame up (Fig. 5).



2. Secure the connection of the middle frame to the lower frame by fastening the first set of knobs and bolts on each side (Fig. 6).

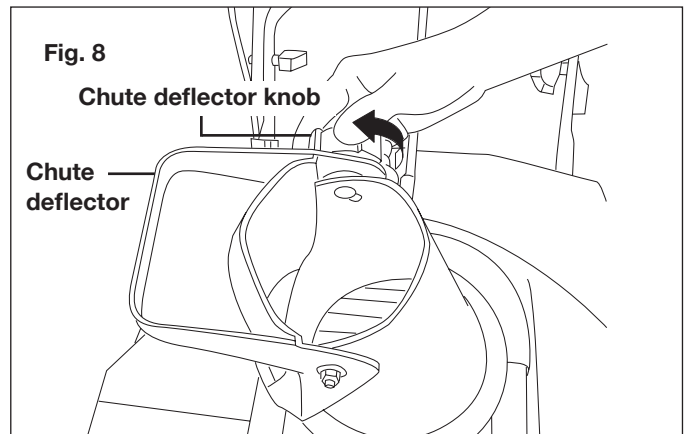


3. Secure the connection of the upper frame to the middle frame by fastening the second set knobs and bolts on each side (Fig. 7).

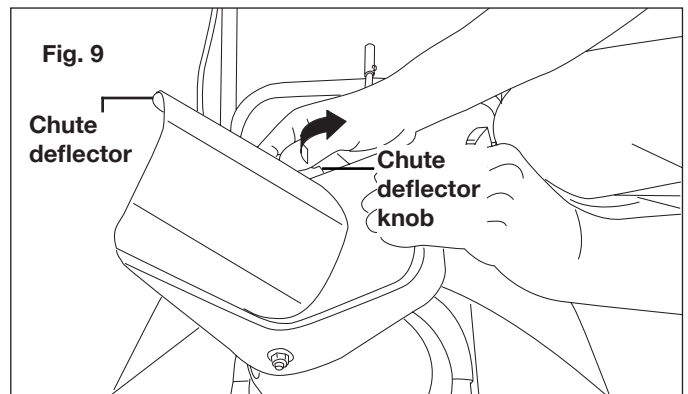


Discharge Chute Assembly

1. Loosen the chute deflector knob to lift the chute deflector (Fig. 8).



2. Lift the chute deflector and lock it securely onto the discharge chute (Fig. 9).

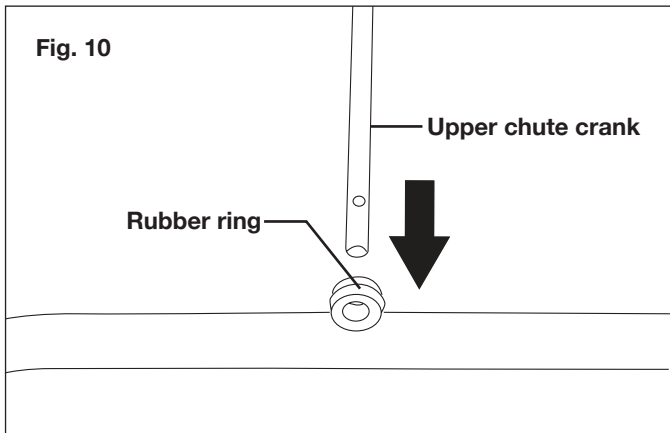


3. Raise or lower the chute deflector to the desired height of the snow stream and tighten the chute deflector knob (Fig. 9).

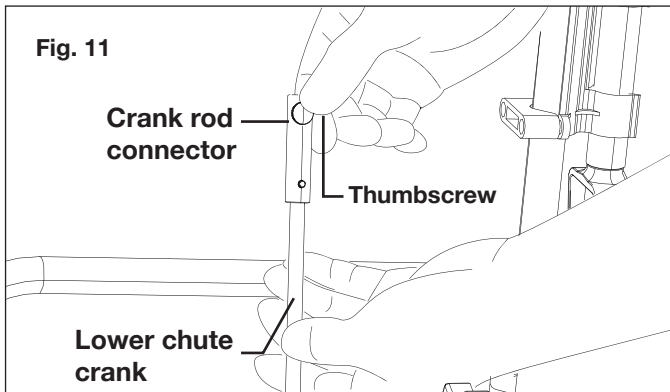
NOTE: Do not overtighten the chute deflector knob.

Chute Crank Assembly

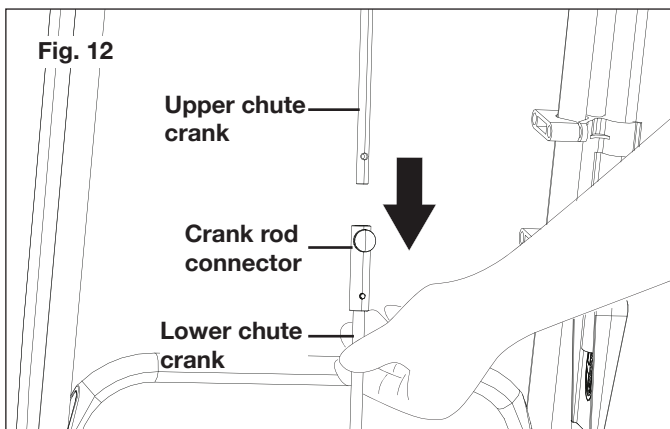
1. Slide the upper chute crank through the rubber ring located on the middle frame (Fig. 10).



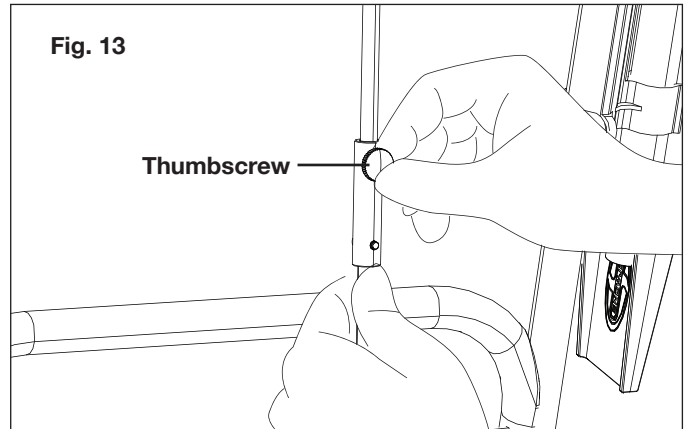
2. Loosen the screw on the lower chute crank by hand (Fig. 11).



3. Slide the upper chute crank into the lower chute crank (Fig. 12).



4. Align the screw holes and tighten the screw by hand (Fig. 13).

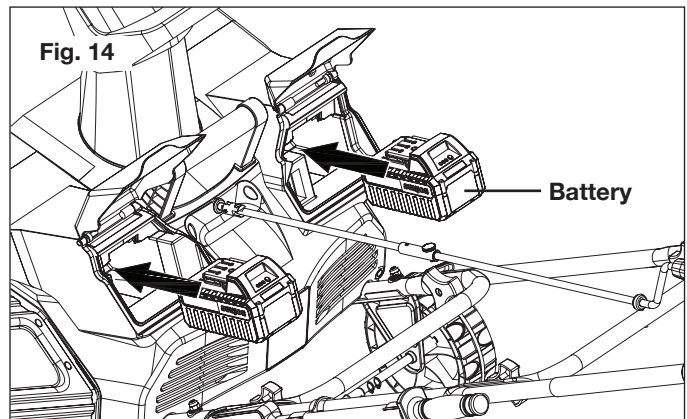


Operation

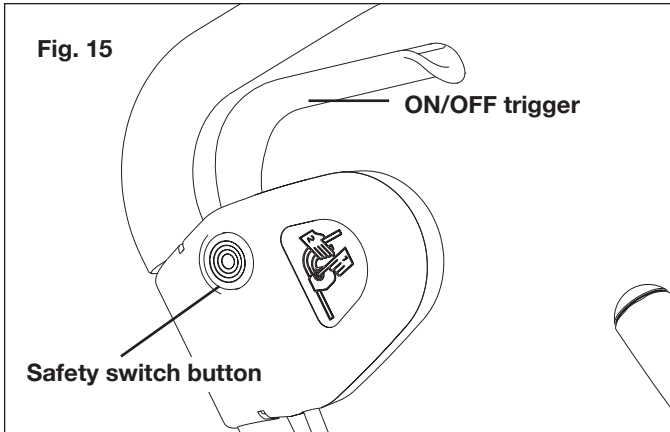
⚠WARNING! Keep the area to be cleared free of stones, toys or other foreign objects that the rotor blades might pick up and throw. Such items could be covered by snow and are easy to overlook, so be sure to conduct a thorough inspection of the area before beginning work.

Starting + Stopping

1. Open the battery compartment covers and slide each battery down until it clicks to lock it into position (Fig. 14).



2. While depressing the safety switch button, pull the ON/OFF trigger toward you. Once the machine powers on, release the safety switch button and begin operation (Fig. 15). The machine can only be started by depressing the safety switch button first, followed by squeezing the ON/OFF trigger; reverse operation will not start the machine.



3. To power off, release your grip on the ON/OFF trigger.

Operating Tips

⚠️ WARNING! Foreign objects, such as rocks, broken glass, nails, wire, or string, can be picked up and thrown by the snow blower, causing serious personal injury. Remove all foreign objects from the area to be plowed before operating the snow blower.

1. Keep the area of operation free of foreign objects that can become thrown by the rotor blades. Perform a thorough inspection of the area since some objects may be hidden from view by surrounding snow. If the snow blower hits an obstruction or picks up a foreign object during use, stop the snow blower, remove the batteries, remove the obstruction, and inspect the unit for damage. Repair or replace any damaged part before restarting and operating the unit.
2. Keep children, pets, and bystanders away from the area of operation. Be aware that the normal noise of the machine when turned on may make it difficult for you to hear approaching people.
3. When moving the snow blower, use the wheels on one side as the pivot point. Slightly tilt the snow blower on this pivot point to move it forward or backward.
4. Start your clearing path outward, throwing snow in a back and forth motion. To clear in the opposite direction, pivot the snow blower on its wheels. Make sure to overlap clearing paths.
5. Note the wind direction. If possible, move in the same direction as the wind so that the snow is not thrown against the wind (and thus back into your face and on the just cleared path).

6. Do not push the snow blower with excessive force. You should push the machine gently and evenly in accordance with the unit's throw rate.
7. Do not apply additional man-made load to the motor since this may cause motor damage.
8. Some parts of the snow blower may freeze under extreme temperature conditions. Do not attempt to operate the snow blower with frozen parts. If the parts freeze while the snow blower is in use, stop the snow blower, remove the batteries, and inspect for frozen parts. Free all parts before restarting or operating the snow blower. Never force controls that have frozen.
9. When working on pebbles, gravel, or unpaved surfaces, avoid throwing loose surface material along with the snow by pushing down on the handle to raise the scraper at the base of the unit above the pebbles or gravel.

Headlight

The snow blower is equipped with a headlight that can be used to illuminate the forward path in the dark. The headlight will be turned on once the machine is started by depressing the safety switch button and pulling the ON/OFF trigger (Fig. 15).

NOTE: The light will only turn ON when the snow blower is running. The light will automatically turn off 30 seconds after the machine powers off.

Changing Throw Direction and Throw Height



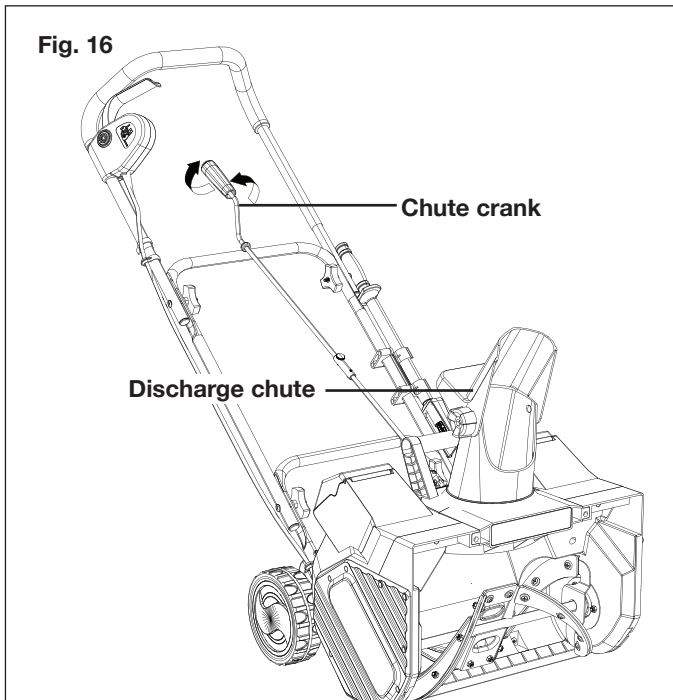
WARNING



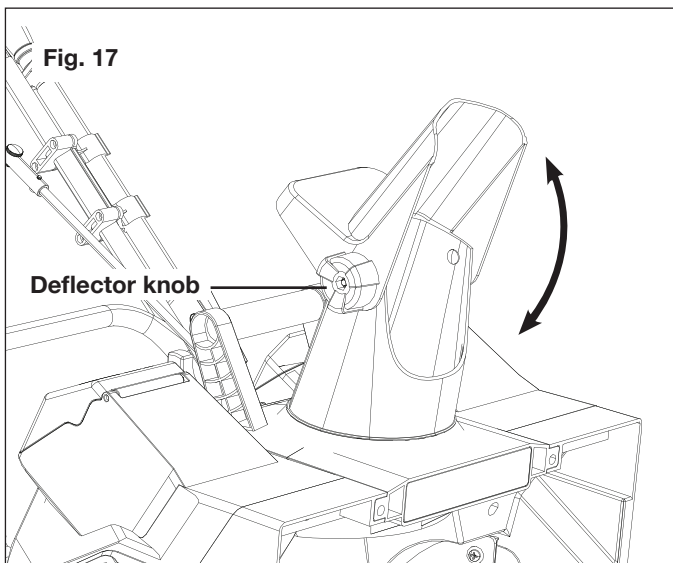
Never direct the snow discharge chute at the operator, at bystanders, at vehicles, or at nearby windows. The discharged snow and foreign objects accidentally picked up by the snow thrower can cause serious damage and personal injury.

Always orient the discharge chute in the opposite direction from where you, bystanders, surrounding vehicles, or windows are located.

1. The discharge chute can be adjusted 180 degrees by rotating the chute crank. Rotate the chute control crank clockwise to move the discharge chute to the left and counterclockwise to move the chute to the right (Fig. 16).



2. The chute deflector on the top of the discharge chute controls the height of the snow stream. Loosen the knobs to raise or lower the deflector to the desired height of snow you wish to throw. Tighten the knobs to secure the deflector (Fig. 17).



WARNING



Make sure that the chute deflector snaps and locks completely onto the discharge chute. An opening between the discharge chute and the chute deflector may allow foreign objects to be picked up by the snow thrower and thrown in the direction of the operator causing serious bodily injury.

- Do not advance the chute deflector too far forward causing an opening to appear between the deflector and discharge chute.
- Do not overtighten the knobs on the chute deflector.

Maintenance

To order genuine replacement parts or accessories for the Snow Joe® 24V-X2-SB18 cordless snow blower, please visit snowjoe.com or contact the Snow Joe® + Sun Joe® customer service center at 1-866-SNOWJOE (1-866-766-9563).

⚠️WARNING! Make sure to turn off the switch and remove the batteries before performing any maintenance task on your snow blower.

Lifetime Lubrication (Motor + Auger)

Lubrication is not necessary and may damage the unit. The snow blower is lubricated for lifetime use at the factory before shipment.

General Maintenance Tips

1. Do not attempt to repair the machine unless you have the proper tools and instructions for disassembly and repair of the machine.
2. Check bolts and screws at frequent intervals for proper tightness to ensure that the equipment is in safe working condition.
3. After each snow removal session, run the snow blower for a few minutes to prevent the collector/impeller from freezing. Shut off the motor, wait for all revolving parts to stop completely, and wipe residual ice and snow off the unit. Rotate the chute deflector by the chute control crank several times to remove any excess snow.

Proper Care for Batteries + Charger

⚠️WARNING! To reduce the risk of injury, always unplug the charger and remove the battery packs from the charger before performing any maintenance task. Never disassemble the battery packs or charger. Contact your Snow Joe® + Sun Joe® dealer or the Snow Joe® + Sun Joe® customer service center for ALL repairs.

1. To reduce the risk of injury and damage, never immerse your battery packs or charger in liquid or allow any liquid to flow inside these components.

2. Clean out dust and debris from charger vents and electrical contacts by blowing with compressed air.
3. Use only mild soap on a damp cloth to clean the battery packs and charger, keeping away from all electrical contacts. Certain cleaning agents and solvents are harmful to plastics and other insulated parts. Some of these include gasoline, turpentine, lacquer thinner, paint thinner, chlorinated cleaning solvents, ammonia and household detergents containing ammonia. Never use flammable or combustible solvents around battery packs, battery chargers or tools.
4. The iON+ 24V lithium-ion battery charger has no serviceable parts.

Maintenance + Storage

1. Run the machine a few minutes after throwing snow to prevent the auger from freezing.
2. Examine the cordless snow blower thoroughly for worn, loose or damaged parts. Should you need to repair or replace a part, contact an authorized Snow Joe® + Sun Joe® dealer or call the Snow Joe® + Sun Joe® customer service center at 1-866-SNOWJOE (1-866-766-9563) for assistance.
3. Clean the snow blower before storing or transporting. Be sure to secure the unit while transporting.
4. Remove the batteries from the cordless snow blower before storing.
5. Store the cordless snow blower indoors in a locked, dry place out of the reach of children to prevent unauthorized use or damage.
6. Maintain safety and instruction labels, as necessary.
7. Always refer to the Battery + Charger Off-Season Storage section for important details if the snow blower is to be stored for an extended period.

Battery + Charger Off-Season Storage

1. Do not expose your battery packs or charger to water, rain or allow them to get wet. This could permanently damage the charger and the battery packs. Do not use oil or solvents to clean or lubricate your battery packs as the plastic casing can become brittle and crack, causing a serious risk of injury.
2. Store the battery packs and charger at room temperature away from moisture. Do not store in damp locations where corrosion of terminals may occur. As with other battery

pack types, permanent capacity loss can result if the pack is stored for long periods of time at high temperatures (over 120°F/49°C).

3. iON+ 24V lithium-ion battery packs maintain their charge during storage longer than other battery pack types. As a general practice, it is best to unplug the battery charger and remove the battery packs when they are not in use. Recharge the battery packs every 6 months to 50% capacity (2 lights on) during off-season storage to maintain optimal battery performance.

Battery Caution + Disposal Information

Always dispose of your battery packs according to federal, state, and local regulations. Contact a recycling agency in your area for recycling locations.




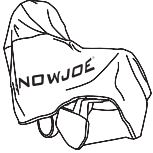
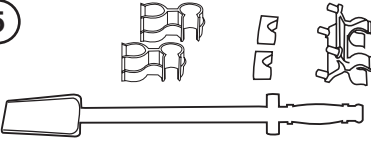
⚠ CAUTION! Even discharged battery packs contain some energy. Before disposing, use electrical tape to cover the terminals to prevent the battery packs from shorting, which could cause a fire or explosion.

⚠ WARNING! To reduce the risk of injury or explosion, never burn or incinerate battery packs even if it is damaged, dead or completely discharged. When burned, toxic fumes and materials are emitted into the surrounding atmosphere.

1. Batteries vary according to device. Consult your manual for specific information.
2. Install only new batteries of the same type in your product (where applicable).
3. Failure to insert batteries in the correct polarity, as indicated in the battery compartment or manual, may shorten the life of the batteries or cause batteries to leak.
4. Do not mix old and new batteries.
5. Do not mix Alkaline, Standard (Carbon-Zinc) or Rechargeable (Nickel Cadmium, Nickel Metal Hydride, or Lithium-Ion) batteries.
6. Do not dispose of batteries in fire.
7. Batteries should be recycled or disposed of as per state and local guidelines.

Accessories

⚠️ WARNING! ALWAYS use only authorized Snow Joe® + Sun Joe® replacement parts and accessories. NEVER use replacement parts or accessories that are not intended for use with this cordless snow blower. Contact Snow Joe® + Sun Joe® if you are unsure whether it is safe to use a particular replacement part or accessory with your cordless snow blower. The use of any other attachment or accessory can be dangerous and could cause injury or mechanical damage.

Accessories	Item	Model
	24V iON+ 4.0 Ah Lithium-Ion Battery	24VBAT
	24V iON+ 5.0 Ah Lithium-Ion Battery	24VBAT-XR
	24V iON+ Lithium-Ion Battery Quick Charger	24VCHRG-QC
	Universal 21-inch snow thrower protection cover	SJCVR-21
	Universal Snow Thrower Chute Clean-Out Tool	SJCOT

NOTE: Accessories are subject to change without any obligation on the part of Snow Joe® + Sun Joe® to provide notice of such changes. Accessories can be ordered online at snowjoe.com or via phone by contacting the Snow Joe® + Sun Joe® customer service center at 1-866-SNOWJOE (1-866-766-9563).



SNOW JOE® + SUN JOE® CUSTOMER PROMISE

ABOVE ALL ELSE, Snow Joe, LLC (“Snow Joe”) is dedicated to you, our customer. We strive to make your experience as pleasant as possible. Unfortunately, there are times when a Snow Joe®, Sun Joe®, or Aqua Joe® product (“Product”) does not work or breaks under normal operating conditions. We think it’s important that you know what you can expect from us. That’s why we have a Limited Warranty (“Warranty”) for our Products.

OUR WARRANTY:

Snow Joe warrants new, genuine, powered and non-powered Products to be free from defects in material or workmanship when used for ordinary household use for a period of two years from the date of purchase by the original, end-user purchaser when purchased from Snow Joe or from one of Snow Joe’s authorized sellers with proof of purchase. Because Snow Joe is unable to control the quality of its Products sold by unauthorized sellers, unless otherwise prohibited by law, this Warranty does not cover Products purchased from unauthorized sellers. If your Product does not work or there’s an issue with a specific part that is covered by the terms of this Warranty, Snow Joe will elect to either (1) send you a free replacement part, (2) replace the Product with a new or comparable product at no charge, or (3) repair the Product. How cool is that!

This Warranty gives you specific legal rights, and you may also have other rights which vary from State to State.

PRODUCT REGISTRATION:

Snow Joe strongly encourages you to register your Product. You can register online at snowjoe.com/register, or by printing and mailing in a registration card available online from our website, or calling our Customer Service Department at **1-866-SNOWJOE (1-866-766-9563)**, or by e-mailing us at help@snowjoe.com. Failure to register your Product will not diminish your warranty rights. However, registering your Product will allow Snow Joe to better serve you with any of your customer service needs.

WHO CAN SEEK LIMITED WARRANTY COVERAGE:

This Warranty is extended by Snow Joe to the original purchaser and original owner of the Product.

WHAT IS NOT COVERED?

This Warranty does not apply if the Product has been used commercially or for non-household or rental applications. This Warranty also does not apply if the Product was purchased from an unauthorized seller. This Warranty also does not cover cosmetic changes that do not affect performance. Wearing parts like belts, augers, chains and tines are not covered under this Warranty, and can be purchased at snowjoe.com or by calling **1-866-SNOWJOE (1-866-766-9563)**.



SNOWJOE®

MANUAL DEL OPERADOR

ES

QUITANIEVE INALÁMBRICO

48 V MÁX.* | 4.0 Ah | 46 CM | LUZ LED

Una división de Snow Joe®, LLC

Modelo 24V-X2-SB18

Forma N° SJ-24V-X2-SB18-880S-MR4


¡IMPORTANTE!


Instrucciones de seguridad

Todos los operadores deberán leer estas instrucciones antes del uso


Lea todas las instrucciones al usar su quitanieve inalámbrico. Usted tendrá que tomar siempre las precauciones que se indican a continuación para reducir riesgos de incendios, choques eléctricos o lesiones personales.


Reglas generales de seguridad


Preste atención al símbolo  de alerta de seguridad personal usado en este manual para enfocar su atención a una **ADVERTENCIA** dada junto a una instrucción de operación particular. Esto significa que la operación requiere **ATENCIÓN, PRECAUCIÓN Y CAUTELA** especiales.

- **Mantenga el área de trabajo limpia y bien iluminada:** las áreas abarrotadas y oscuras provocan accidentes.
- **Mantenga alejados a los transeúntes:** todos los visitantes, incluidas las mascotas, deberán estar a una distancia segura del área de trabajo.
- **Vístase apropiadamente:** no lleve prendas holgadas ni joyas. Pueden llegar a engancharse en las partes móviles. Al trabajar en exteriores, se recomienda el uso de guantes de goma y calzado antideslizante.
- **Utilice las herramientas apropiadas:** no utilice esta máquina para ningún otro trabajo excepto para el cual está destinada.
-  **¡PRECAUCIÓN!** Tenga cuidado y evite resbalar o caer. Utilice calzado protector que proteja sus pies y mejore su posición de pie en superficies resbaladizas.
- **Use gafas protectoras:** use también calzado protector, ropa que se ajuste a su cuerpo, guantes protectores y protección auditiva y para la cabeza.
- **No fuerce el quitanieve:** use el quitanieve con la intensidad para la cual fue diseñado con el propósito de asegurar un rendimiento óptimo y una operación segura.
- **Manténgase alerta:** vea lo que está haciendo. Utilice su sentido común. No opere el quitanieve si usted está cansado o bajo la influencia del alcohol o las drogas.

- **No se extralimite:** mantenga con sus pies una posición y un balance adecuados todo el tiempo.
- **Guárdelo en interiores:** cuando no esté siendo usado, el quitanieve debe permanecer seco y almacenado lejos del alcance de los niños, en un lugar alto o bajo llave.
- **Cuide su quitanieve:** siga las instrucciones para su lubricación y cambio de accesorios.


 **¡ADVERTENCIA!** Siempre desactive la palanca interruptora y retire la batería antes de realizar cualquier tarea de ajuste, inspección, servicio, cambio de accesorios o limpieza del quitanieve, o cuando exista cualquier otra condición peligrosa. Cualquiera de estas operaciones deberá ser realizada luego de que las partes giratorias dentro del quitanieve se hayan detenido por completo. Estas medidas preventivas de seguridad reducen el riesgo de un encendido accidental de la herramienta.

 **¡ADVERTENCIA!** Al reemplazar cualquier parte, usted debe seguir rigurosamente las instrucciones y procedimientos descritos en este manual del operador. Se debe tener especial cuidado con las partes de goma, ya que estas partes, de estar dañadas, pueden aumentar la carga del motor y reducir su potencia mecánica.

 **¡ADVERTENCIA!** Si usted nota que el quitanieve no está funcionando apropiadamente, o escucha sonidos anormales del motor durante su uso, apague inmediatamente la máquina, desconecte la batería, y contacte a su centro de servicio.

- **Superficies:** este quitanieve está diseñado para uso en superficies pavimentadas. No lo use en grava, piedras u otras superficies no pavimentadas a menos que el quitanieve sea ajustado para dichas superficies, de acuerdo con las instrucciones en el manual del operador.
- **Las partes móviles presentan riesgos:** mantenga su rostro, cabello, vestimenta, manos y pies lejos de cualquier parte móvil. Todos los protectores y accesorios de seguridad deben estar instalados apropiadamente antes de usar la unidad. Apague y desconecte la batería antes de tocar cualquier parte que no sea los mangos o el interruptor.
- **Evite encendidos accidentales:** asegúrese de que el interruptor de seguridad y la palanca interruptora estén en la posición de apagado antes de insertar la batería en la unidad. No transporte el quitanieve con el interruptor de seguridad y la palanca interruptora activados.

- **No se extralimite:** mantenga con sus pies una posición y un balance adecuados todo el tiempo. Coloque sus talones firmemente en el piso y agarre fuertemente el manillar. Esté atento ante superficies desniveladas y no se extienda demasiado. En caso de que usted se caiga o choque contra el quitanieve, inspeccione la unidad para detectar daños o resquebrajaduras. Al retroceder, tenga especial cuidado y evite obstáculos cerca de sus pies o detrás de usted para evitar tropezar y caer.

 **¡ADVERTENCIA!** Si el quitanieve golpea un objeto extraño, siga estas instrucciones:


- i) Detenga el quitanieve y retire las baterías;
- ii) Inspecciónelo en busca de cualquier daño; y
- iii) Repare cualquier daño antes de volver a encender el quitanieve.


Instrucciones de seguridad para las baterías y el cargador


Prestamos mucha atención al diseño de cada batería para garantizar la producción de baterías seguras y durables, con una alta densidad de energía. Las celdas de las baterías tienen varios dispositivos de seguridad. Cada celda individual es inicialmente formateada y sus curvas eléctricas características son registradas. Estos datos son luego usados exclusivamente para ensamblar las mejores baterías posibles.

Independientemente de todas las precauciones de seguridad, se debe tener mucho cuidado al manipular las baterías. Las siguientes instrucciones deben ser obedecidas en todo momento para garantizar un uso seguro. Un uso seguro solo puede ser garantizado si se usan celdas libres de daños. Una manipulación incorrecta de las baterías puede causar daños en sus celdas.

¡IMPORTANTE! Los análisis han confirmado que el uso incorrecto y el cuidado deficiente de baterías de alto rendimiento son las causas principales de lesiones personales y/o daños al producto.

 **¡ADVERTENCIA!** Lea todas las advertencias de seguridad e instrucciones. No seguir las instrucciones y advertencias puede causar un choque eléctrico, incendio y/o lesiones personales graves.

 **¡ADVERTENCIA!** Use solo baterías de repuesto aprobadas. Otras baterías pueden dañar el quitanieve y causar fallas en su funcionamiento.

 **¡PRECAUCIÓN!** Para reducir el riesgo de lesiones personales, cargue las baterías de iones de litio iON+ de 24 V solo con su cargador de baterías de iones de litio designado, el iON+ de 24 V. Otros tipos de cargadores presentan riesgos de incendios, lesiones personales y daños materiales. No conecte una batería a un tomacorriente doméstico ni encendedor de cigarrillos en su vehículo. Dicho uso indebido dañará o deshabilitará permanentemente la batería.

- **Evite entornos peligrosos:** no cargue la batería bajo la lluvia o nieve, ni en entornos húmedos o mojados. No use la batería ni el cargador en atmósferas explosivas (gases, polvo o materiales inflamables) ya que al insertar o retirar la batería se pueden generar chispas que pueden causar un incendio.

- **Cargue la batería en un área bien ventilada:** no bloquee los conductos de ventilación del cargador. Manténgalos despejados para permitir una ventilación adecuada. No permita que se fume o haya fuego abierto cerca de una batería siendo cargada. Los gases presentes pueden explotar.

NOTA: el rango seguro de temperatura para la batería es de -4°F (-20°C) a 113°F (45°C). No cargue la batería en exteriores a temperaturas congelantes. Cárguela a temperatura ambiente en interiores.


- **Cuide el cable de alimentación del cargador:** al desenchufar el cargador tire del enchufe, no del cable, para desconectarlo del tomacorriente y así evitar el riesgo de daños al enchufe y cable de alimentación. Nunca transporte el cargador colgado de su cable, ni tire del cable para desconectarlo del tomacorriente. Mantenga el cable del cargador alejado del calor, aceites y bordes afilados. Asegúrese de que el cable no sea pisado, que la gente no se tropiece con éste, ni que esté sujeto a daños o tensiones mientras el cargador esté siendo usado. No use el cargador con un cable o enchufe dañado. Reemplace un cargador dañado inmediatamente.

- **No use un cable de extensión a menos que sea absolutamente necesario:** usar un cable de extensión incorrecto, dañado o conectado de forma inapropiada puede causar un incendio o choque eléctrico. Si se debe usar un cable de extensión, conecte el cargador a un cable de extensión de calibre 16 (o más grueso) de alambreado adecuado, con su enchufe hembra encajando perfectamente en el enchufe macho del cargador. Verifique que el cable de extensión esté en buenas condiciones.

- **El cargador 24VCHRG-DPC está especificado solo para 120 V CA:** el cargador debe estar enchufado a un tomacorriente apropiado.

- **Use solo los accesorios recomendados:** el uso de un accesorio no recomendado ni vendido por el fabricante de la batería o cargador de batería puede resultar en un riesgo de un choque eléctrico, incendio o lesiones personales.

- **Desenchufe el cargador cuando no esté siendo usado:** asegúrese de retirar las baterías de los cargadores desenchufados.

 **¡ADVERTENCIA!** Para reducir el riesgo de un choque eléctrico, desenchufe siempre el cargador antes de llevar a cabo cualquier tarea de limpieza o mantenimiento. No permita que entre agua dentro del cargador. Use un interruptor de circuito por falla a tierra (GFCI) para reducir el riesgo de un choque eléctrico.

- **No quemé ni incinere baterías:** las baterías pueden explotar, causando lesiones personales o daños. Las baterías generan sustancias y humos tóxicos al ser quemadas.

- **No triture, deje caer ni dañe las baterías:** no use la batería ni el cargador si han sido severamente golpeados, se han dejado caer, se han aplastado, o han sido dañados de cualquier forma como por ejemplo perforados con un clavo, golpeados con un martillo, pisados, etc.
- **Antes de realizar en el artefacto cualquier tarea de ajuste o cambio de accesorios, o antes de guardarlo, sus baterías deberán ser retiradas:** dichas medidas de seguridad preventiva reducen el riesgo de encendidos accidentales.
- **Evite encendidos accidentales:** asegúrese de que el interruptor de seguridad y la palanca interruptora estén en la posición de apagado antes de insertar la batería en la unidad. No transporte el quitanieve con el interruptor de seguridad y el gatillo de encendido/apagado activado.
- **Cuando las baterías no estén siendo usadas, manténgalas alejadas de otros objetos metálicos:** monedas, sujetapapeles, clavos, tornillos, alfileres u otros objetos metálicos pequeños que puedan causar el contacto de un terminal con otro. Cortocircuitar los terminales de las baterías puede causar quemaduras o un incendio.
- **Bajo condiciones extremas, las baterías pueden expulsar un líquido; evite el contacto con este líquido:** si ocurre un contacto accidental, enjuáguese con agua. Si el líquido hace contacto con los ojos, adicionalmente busque atención médica. El líquido que sale de las baterías puede causar irritación o quemaduras.
- **No use baterías o artefactos que hayan sido dañados o modificados:** las baterías dañadas o alteradas pueden reaccionar impredeciblemente, causando un incendio, explosión o lesiones personales.
- **No exponga una batería o el quitanieve al fuego o temperaturas excesivas:** una exposición al fuego o a temperaturas mayores de 130°C (265°F) puede causar una explosión.
- **Siga todas las instrucciones de carga, y no cargue las baterías o artefacto fuera del rango de temperaturas especificado en las instrucciones:** cargar de forma incorrecta o a temperaturas fuera del rango especificado puede dañar la batería e incrementar el riesgo de incendio.
- **Haga que las tareas de reparación sean hechas por personal calificado usando únicamente partes de repuesto idénticas:** esto garantizará la seguridad del producto.
- **No modifique ni intente reparar el artefacto o la batería (de ser aplicable):** a menos que lo haga según lo indicado en las instrucciones de uso y cuidado.
- **No los desarme:** el reensamblado incorrecto puede presentar un riesgo severo de choque eléctrico, fuego o exposición a químicos tóxicos de las baterías. Si las baterías o el cargador están dañados, contacte a un distribuidor autorizado Snow Joe® + Sun Joe® o comuníquese con la central de servicio al cliente Snow Joe® + Sun Joe® llamando al 1-866-SNOWJOE (1-866-766-9563).

- **Los químicos de las baterías causan quemaduras severas:** nunca deje que una batería dañada haga contacto con la piel, ojos o boca. Si una batería dañada deja escapar químicos, use guantes de hule o neopreno para deshacerse de ella de forma segura. Si la piel es expuesta a los fluidos de la batería, lave el área afectada con jabón y agua, y enjuague con vinagre. Si los ojos son expuestos a los químicos, inmediatamente enjuáguelos con agua durante 20 minutos y busque atención médica. Quítese y deshágase de las vestimentas contaminadas.
- **Guarde su batería y cargador en un lugar fresco y seco:** no guarde la batería ni el cargador en lugares donde las temperaturas puedan exceder los 104°F (40°C), tales como bajo la luz directa del sol, o dentro de un vehículo o construcción metálica durante el verano.

Información sobre la batería

1. Las baterías suministradas con su quitanieve inalámbrico están cargadas solo parcialmente. Las baterías tienen que ser cargadas por completo antes de que usted use esta herramienta por primera vez.
2. Para un óptimo rendimiento de la batería, evite ciclos de descarga baja cargando frecuentemente la batería.
3. Guarde la batería en un lugar fresco, de preferencia a 59°F (15°C) y cargada por completo.
4. Las baterías de iones de litio están sujetas a un proceso natural de desgaste. La batería debe ser reemplazada a más tardar cuando su capacidad caiga a un 80% de su capacidad inicial, cuando estaba nueva. Las celdas debilitadas en una batería gastada no son capaces de cumplir con los requisitos de alta potencia necesarios para la operación adecuada de su quitanieve, y por tanto representan un riesgo de seguridad.
5. No arroje las baterías al fuego ya que pueden explotar.
6. No quemee las baterías ni las esponja al fuego.
7. No descargue las baterías exhaustivamente. Una descarga exhaustiva dañará las celdas de las baterías. La causa más común de descarga exhaustiva es el almacenamiento prolongado o la falta de uso de baterías parcialmente descargadas. Deje de trabajar tan pronto como el rendimiento de la batería caiga considerablemente o se active el sistema de protección electrónico. Almacene la batería únicamente luego de haberla cargado por completo.
8. Proteja las baterías y la herramienta contra sobrecargas. Las sobrecargas causarán rápidamente un sobrecalentamiento y daños a las celdas en el interior de la batería, incluso si este sobrecalentamiento no es aparente por fuera.
9. Evite daños y golpes. Reemplace inmediatamente las baterías que se hayan caído desde una altura de más de un metro o que hayan sido expuestas a golpes violentos, incluso si el exterior de una batería aparenta no tener daños. Las celdas dentro de la batería pueden haber sufrido daños severos. En dichos casos, lea la información de eliminación para deshacerse apropiadamente de la batería.

10. Si las baterías sufren una sobrecarga y sobrecalentamiento, el sistema interruptor de corte de protección integrado apagará el equipo por motivos de seguridad. Si esto ocurre, apague el quitanieve y deje que las baterías se enfríen por algunos minutos antes de volverla a encender.

¡IMPORTANTE! No presione más el gatillo de encendido/apagado si se ha activado el interruptor de protección. Esto puede dañar las baterías.

11. Use únicamente baterías originales. El uso de otras baterías puede causar lesiones personales o una explosión.

Información sobre el cargador y el proceso de carga

1. Verifique la información indicada en la placa de especificaciones del cargador de baterías. Asegúrese de conectar el cargador de baterías a una fuente de alimentación que tenga el voltaje indicado en la placa de especificaciones. Nunca lo conecte a una fuente de alimentación con voltaje diferente.
2. Proteja el cargador de baterías y su cable contra daños. Mantenga el cargador de baterías y su cable alejados del calor, grasa, aceite y bordes afilados. Haga reparar sin demora los cables dañados por un técnico calificado en un distribuidor autorizado Snow Joe® + Sun Joe® o comuníquese con la central de servicio al cliente Snow Joe® + Sun Joe® llamando al 1-866-SNOWJOE (1-866-766-9563).
3. Los enchufes deben encajar en los tomacorrientes. Nunca modifique el enchufe de ninguna manera. No use ningún adaptador de enchufe con artefactos que tengan conexión a tierra. El uso de enchufes no modificados y tomacorrientes equivalentes reducirá el riesgo de un choque eléctrico.
4. Mantenga el cargador de baterías, las baterías y la herramienta inalámbrica lejos del alcance de los niños.
5. No use el cargador de batería suministrado para cargar baterías de otras herramientas inalámbricas.
6. Durante periodos de trabajo pesado, las baterías se calentarán. Permita que las baterías se enfríen a temperatura ambiente antes de insertarlas al cargador para su recarga.
7. No sobrecargue las baterías. No exceda los tiempos máximos de carga. Estos tiempos de carga solo se aplican a baterías descargadas. La inserción frecuente de una batería cargada o parcialmente cargada resultará en una sobrecarga y daños a las celdas. No deje las baterías en el cargador por días enteros.
8. Nunca use o cargue la batería si sospecha que han pasado más de doce (12) meses desde la última vez que fue cargada. Existe una alta probabilidad de que la batería ya haya sufrido un daño severo (descarga exhaustiva).
9. Cargar baterías a temperaturas menores de 41°F (5°C) causará daños químicos a las celdas y puede provocar un incendio.

10. No use baterías que hayan sido expuestas al calor durante el proceso de carga, ya que sus celdas pueden haber sufrido daños severos.
11. No use baterías que se hayan curvado o deformado durante el proceso de carga, ni que muestren otros síntomas atípicos como liberación de gases, zumbidos, grietas, etc.
12. Nunca descargue por completo la batería (se recomienda una profundidad de descarga de un 80%). Una descarga completa de la batería conducirá a un envejecimiento prematuro de las celdas de la batería.

Protección contra influencias del entorno

1. Use ropa de trabajo adecuada. Use gafas protectoras.
2. Proteja su herramienta inalámbrica y cargador de batería contra la humedad y la lluvia. La humedad y la lluvia pueden causar daños severos a las celdas.
3. No use este quitanieve inalámbrico ni el cargador de batería cerca de vapores o líquidos inflamables.
4. Use el cargador de batería y las herramientas inalámbricas solo en entornos secos y a una temperatura ambiente de entre 50°F (10°C) y 104°F (40°C).
5. No coloque el cargador de batería en lugares donde la temperatura pueda superar los 105°F (40.5°C). En particular, no deje el cargador de batería en un auto estacionado bajo la luz directa del sol.
6. Proteja las baterías contra el sobrecalentamiento. Las sobrecargas, exceso de carga y exposición a la luz directa del sol darán como resultado un sobrecalentamiento y daños a las celdas. Nunca cargue ni trabaje con baterías que hayan estado sobrecalentadas. De ser posible, reemplácelas inmediatamente.
7. Guarde el cargador de batería y su herramienta inalámbrica solo en entornos secos y a una temperatura ambiente de entre 50°F (10°C) y 104°F (40°C). Guarde sus baterías de iones de litio en un lugar fresco y seco, a una temperatura ambiente de entre 50°F (10°C) y 68°F (20°C). Proteja las baterías, el cargador y la herramienta inalámbrica contra la humedad y la luz directa del sol. Solo almacene baterías cargadas por completo.
8. Evite que la batería de iones de litio se congele. Las baterías almacenadas a temperaturas menores de 32°F (0°C) por más de una hora deberán ser desechadas.
9. Al manipular baterías, tenga cuidado con las descargas electrostáticas, ya que estas pueden dañar el sistema electrónico de protección y las celdas de la batería. Evite las descargas electrostáticas y nunca toque los polos de la batería.

Instrucciones adicionales de seguridad

Instrucciones de seguridad para quitanieves de rodadura

- **Lea cuidadosamente el manual del operador:** entérese de las aplicaciones y limitaciones de su quitanieve; así como los peligros potenciales específicos relacionados con este. El quitanieve no debe utilizarse para trabajos para los que no se ha diseñado. No obedecer estas precauciones puede causar fallas mecánicas, daños severos o lesiones personales.
- **Inspección preliminar de la unidad:** inspeccione completamente la unidad antes de su uso. Asegúrese de que todas las partes estén seguras e instaladas correctamente. Si usted nota cualquier anomalía, no use este quitanieve hasta que haya sido reparado correctamente. Lleve a cabo una prueba la primera vez que use el quitanieve, o siempre después de haber reemplazado partes para asegurarse de que funcione correctamente.
- **Inspección preliminar del área:** limpie el área a ser trabajada antes de cada uso. Retire todos los objetos, tales como rocas, vidrios rotos, clavos, alambres o cuerdas, que puedan ser arrojados o enredarse dentro del quitanieve. Mantenga el área de trabajo libre de personas adultas, niños y mascotas.
- **Fuerza excesiva:** el quitanieve fue diseñado para responder a una velocidad determinada en diversas condiciones de nieve para una seguridad y rendimiento óptimos. No lo fuerce. Mantenga constante la presión aplicada durante su operación.
- **Si el interruptor está defectuoso:** no use el quitanieve si su interruptor no lo enciende ni apaga. Cualquier artefacto eléctrico que no pueda ser controlado por un interruptor no es seguro y deberá ser reparado.
- **Si se golpea un objeto:** si el quitanieve golpea accidentalmente un objeto, primero detenga el quitanieve y retire la batería; luego inspecciónelo en busca de daños y, finalmente, repare o reemplace cualquier parte dañada antes de volver a encender y operar el quitanieve.
- **Seguridad del conducto de descarga:** nunca apunte el conducto de descarga de nieve directamente al operador, a los espectadores, a vehículos o a ventanas. Lanzar nieve que pueda contener objetos extraños recogidos accidentalmente por el quitanieve puede causar daños materiales y lesiones personales graves. No use sus manos para desatascar el conducto de descarga. Detenga el motor antes de retirar residuos.
- **Posición de operación sosteniendo la máquina con las manos:** la operación del quitanieve sosteniéndolo con las manos es insegura.
- **Operación anormal:** si usted nota que el quitanieve no está funcionando correctamente, u oye sonidos anormales provenientes del motor, detenga inmediatamente la máquina, retire las baterías, y comuníquese con un representante Snow Joe® + Sun Joe® autorizado o llame a la central de servicio al cliente Snow Joe® + Sun Joe® al 1-866-SNOWJOE (1-866-766-9563) para obtener ayuda.
- **Control de ruido:** al usar el quitanieve, respete las leyes y normas locales con respecto al control de ruido y la protección del medio ambiente. Para evitar perturbaciones de ruido, usted debe elegir a conciencia una hora de operación apropiada y tomar en cuenta las condiciones del entorno.
- **Cuando el trabajo haya concluido:** retire la batería del quitanieve cuando no esté en uso, al cambiarle accesorios, y antes de llevar a cabo cualquier tarea de mantenimiento.
- **Almacenamiento seguro:** guarde el quitanieve en interiores, en un área seca, después de cada uso. Manténgalo en un área bajo llave, a donde no puedan acceder niños ni personas no autorizadas. Nunca guarde el quitanieve con la batería instalada. Puede causar daños materiales y lesiones personales.
- **Mantenimiento para seguridad y durabilidad:** verifique que las partes móviles no estén desalineadas o trabadas, que no haya partes rotas y que no esté presente cualquier otra condición que pueda afectar el funcionamiento de la unidad. De estar dañada una parte, repárela o reemplácela antes de usar la unidad. Utilice solamente aquellas partes de repuesto hechas para su modelo. Al reemplazar cualquier parte, usted debe seguir estrictamente las instrucciones y procedimientos descritos en este manual. Se debe tener especial cuidado con cualquier parte de goma, ya que estas partes pueden incrementar la carga del motor y reducir su potencia mecánica si se dañan.
- **Partes giratorias:** no ponga sus manos o pies cerca o debajo de las partes giratorias. Manténgase alejado de la abertura de descarga en todo momento.
- **Peligros ocultos:** tenga mucho cuidado al operar sobre, o cruzando, senderos de grava, aceras o caminos. Esté atento a peligros ocultos o tráfico.
- Tenga mucho cuidado al operar en pendientes. Nunca opere la máquina a altas velocidades de labrado en superficies resbaladizas. Mire hacia atrás y tenga cuidado al operar en reversa.
- Nunca opere el quitanieve sin luz o visibilidad adecuada. Siempre esté atento a dónde usted esté pisando, y mantenga una sujeción firme en los mangos. Camine; nunca corra.
- No sobrecargue la capacidad de la máquina intentando retirar la nieve a una velocidad demasiado rápida.
- Nunca permita que niños operen el equipo. Nunca permita que adultos operen el equipo sin una instrucción adecuada.
- Ajuste la altura de la carcasa de la barrena para evitar que haga contacto con las superficies de rocas trituradas o grava.

- Use gafas de seguridad o protección ocular durante la operación, o mientras realice cualquier ajuste o reparación, para proteger sus ojos de objetos extraños que puedan ser arrojados por la máquina.

Despeje de un conducto de descarga atascado

El contacto de las manos con la barrena giratoria dentro del conducto de descarga es la causa más común de lesiones personales asociadas con quitanieves. Nunca use sus manos para despejar el conducto de descarga.

Para despejar el conducto de descarga:

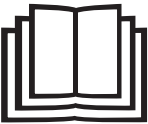













- i) **¡APAGUE EL MOTOR!**
- ii) Espere 10 segundos para asegurarse de que las palas de la barrena hayan dejado de girar por completo.
- iii) Use siempre una herramienta de limpieza, nunca sus manos.

Seguridad eléctrica

- **Evite encendidos accidentales:** asegúrese de que el interruptor de seguridad y el gatillo de encendido/apagado estén en la posición de apagado antes de insertar la batería en la unidad. No transporte el quitanieve con el interruptor de seguridad y el gatillo de encendido/apagado activados.

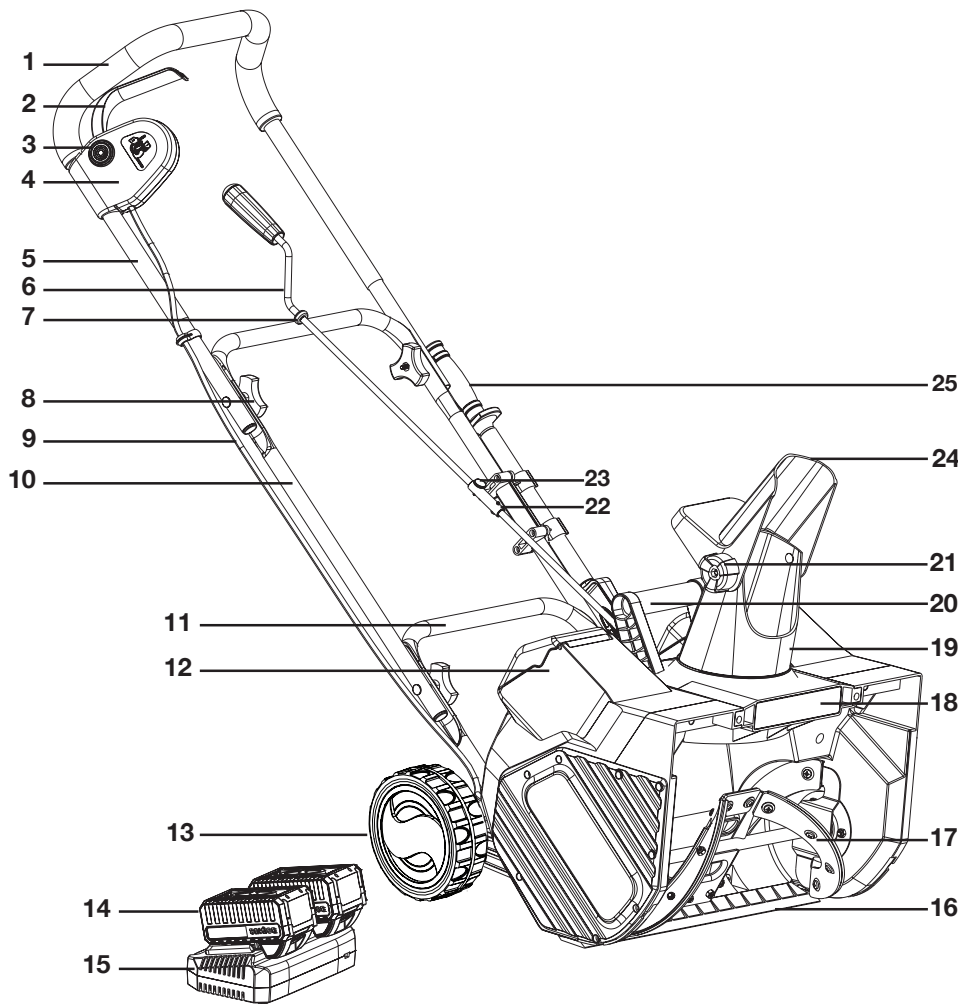
Símbolos de seguridad

La siguiente tabla muestra y describe los símbolos de seguridad que pueden aparecer en este producto. Lea, comprenda y siga todas las instrucciones de la máquina antes de intentar ensamblarla y operarla.

Símbolo	Descripción	Símbolo	Descripción
	LEA EL(LOS) MANUAL(ES) DEL OPERADOR: lea, comprenda y siga todas las instrucciones en el(los) manual(es) antes de intentar ensamblar y operar la unidad.		¡ADVERTENCIA! No exponga la unidad a la lluvia ni a entornos mojados. Manténgala seca.
	ALERTA DE SEGURIDAD: indica una precaución, advertencia o peligro.		¡PELIGRO! Peligro de corte/mutilación: mantenga los pies lejos de la barrena giratoria.
	Use protección auditiva. Use protección ocular. Use protección respiratoria.		¡PRECAUCIÓN! Tenga cuidado con piedras y otros objetos extraños que puedan ser arrojados por el artefacto.
	Mantenga las manos, pies y ropa lejos del rotor giratorio para evitar lesiones personales.		La parte giratoria seguirá moviéndose durante varios segundos después de que usted haya apagado la máquina.
	Use guantes protectores y calzado no deslizante al operar esta máquina y al manipular desechos.		Mantenga a los espectadores y niños a una distancia segura (al menos 33 pies [10 metros]) del área de trabajo.
	No use las manos para desatascar el conducto.		¡PELIGRO! Peligro de corte/mutilación: mantenga las manos lejos de la barrena giratoria. No use las manos para desatascar la carcasa del rotor. Detenga el motor antes de retirar residuos.
	¡ADVERTENCIA! Siempre APAGUE la máquina antes de realizar cualquier tarea de inspección, limpieza o mantenimiento.		Solo para uso en interiores. Utilice el cargador de batería solamente en interiores.

Conozca su quitanieve inalámbrico

Lea detenidamente este manual del propietario y el reglamento de seguridad antes de operar su quitanieve inalámbrico. Compare la ilustración debajo con el quitanieve real para familiarizarse con las ubicaciones de los diversos controles y ajustes. Guarde este manual para referencias futuras.



1. Manillar
2. Interruptor de encendido/apagado
3. Botón de trabado de seguridad
4. Caja de interruptor
5. Estructura superior
6. Manivela superior
7. Anillo de goma
8. Tuercas de mariposa y pernos (4)
9. Cable
10. Estructura intermedia
11. Estructura inferior
12. Compartimiento de batería (2)
13. Rueda (2)
14. Batería de iones de litio iON+ de 24 V (24VBAT) con exclusiva tecnología EcoSharp® (2)
15. Cargador de doble puerto de baterías de iones de litio iON+ de 24 V (24VCHRG-DPC)
16. Barra raspadora
17. Barrena
18. Luz LED
19. Conducto de descarga
20. Empuñadura auxiliar
21. Perilla de deflector
22. Conector de manivela
23. Tornillo de ajuste manual
24. Deflector de conducto
25. Herramienta de limpieza

Datos técnicos

Motor	1200 W sin escobillas
Voltaje máx. de batería*	48 V CC (2 x 24 V)
Capacidad de la batería	4.0 Ah
Entrada de cargador	120 V CA, 60 Hz, 160 W
Salida de cargador	26 V CC, 2 x 2.2 A
Tiempo de carga	1 hr 50 min
Velocidad sin carga	2,500 RPM
Barrena	Cuatro palas de acero con bordes de goma
Ancho de despeje	18 plg (46 cm)

Profundidad de despeje de nieve	10 plg (25.4 cm)
Distancia máx. de lanzamiento	20 pies (6 m)
Etapas	Etapas únicas
Control direccional	Conducto de autorotación de 180°
Luz LED	2 W
Tamaño de rueda	6.5 plg (16.5 cm)
Peso neto	39 lb (17.7 kg)

*Genera 48 V máx. con dos baterías iones de litio de 24 V. El voltaje inicial sin carga para cada batería completamente cargada alcanza un máximo de 24 V. El voltaje nominal bajo una carga típica es de 21.6 V.

Desembalaje

El paquete contiene:

- Quitanieve inalámbrico
- Perilla y perno de fijación conjunta (4 juegos)
- Manivela superior (ensamblada)
- Herramienta de limpieza (ensamblada)
- Batería de iones de litio iON+ de 24 V (2)
- Cargador de doble puerto de baterías de iones de litio iON+ de 24 V
- Manual y tarjeta de registro

1. Retire cuidadosamente su quitanieve inalámbrico y compruebe que todos los artículos anteriores estén suministrados.
2. Inspeccione cuidadosamente el producto para asegurarse de que no haya ocurrido ningún daño o ruptura durante su transporte. Si alguna parte está dañada o extraviada, NO DEVUELVA el quitanieve a la tienda. Comuníquese con la central de servicio al cliente Snow Joe® + Sun Joe® llamando al 1-866-SNOWJOE (1-866-766-9563).

NOTA: no se deshaga de la caja de transporte ni de los materiales de embalaje hasta que usted esté listo para usar su quitanieve inalámbrico. El empaquetado está hecho de materiales reciclables. Deshágase apropiadamente de estos materiales según los reglamentos locales, o guarde el empaquetado para el almacenamiento del producto a largo plazo.

¡IMPORTANTE! El equipo y los materiales de embalaje no son juguetes. No deje que los niños jueguen con las bolsas plásticas, láminas o partes pequeñas. ¡Estos objetos pueden ser tragados y representan un riesgo de asfixia!

Operación de la batería

La unidad es alimentada con dos baterías de iones de litio. Las baterías están completamente selladas y no requieren de mantenimiento.

⚠ ¡ADVERTENCIA! El quitanieve inalámbrico solo podrá funcionar con las dos baterías juntas. Usar solo una batería no dará suficiente alimentación a la herramienta. Asegúrese de usar dos baterías del mismo voltaje y capacidad. Usar la herramienta con baterías de diferente capacidad provocará un daño a las baterías.

Indicador de nivel de carga de batería

Las baterías están equipadas con un botón para comprobar el nivel de carga. Simplemente presione el botón para leer el nivel de carga de la batería en los LED indicadores de la batería:

- Los tres LED indicadores de nivel están encendidos: el nivel de carga de la batería es elevado.
- Dos LED indicadores de nivel están encendidos: el nivel de carga de la batería está disminuyendo. Deje de trabajar tan pronto como sea posible.

- Un LED indicador de nivel está encendido: el nivel de carga de la batería está bajo. Deje de trabajar INMEDIATAMENTE y cargue la batería, de otro modo, la vida útil de la batería se reducirá en gran medida.

Luces	Significado
	Botón de nivel de carga
	La batería está cargada a un 30% y requiere ser cargada de inmediato
	La batería está cargada a un 60% y requiere ser cargada pronto
	La batería está cargada por completo

NOTA: si el botón de nivel de carga no parece funcionar, coloque la batería en el cargador y cargue según se requiera.

NOTA: inmediatamente luego del uso de las baterías, el botón de nivel de carga puede mostrar una carga más baja que la que se mostrará algunos minutos después. Las celdas de las baterías “recuperan” parte de su carga luego de permanecer inactivas.

Operación del cargador

⚠ ¡ADVERTENCIA! Cargue la batería de iones de litio iON+ de 24 V solo con su cargador de iones de litio compatible iON+ de 24 V. Otros tipos de baterías pueden causar lesiones personales y daños materiales.

Para reducir el riesgo de un choque eléctrico, no permita que entre agua a la conexión CA/CC del cargador.

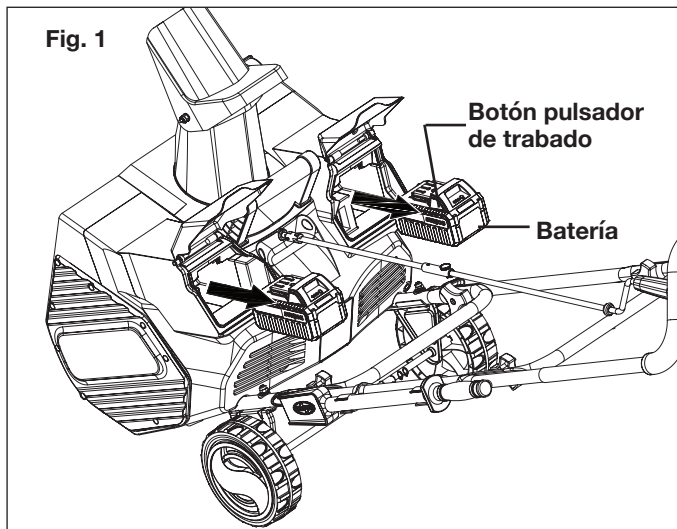
Cuándo cargar las baterías de iones de litio iON+ 24VBAT

NOTA: las baterías de iones de litio iON+ 24VBAT no crean una “memoria” al ser cargadas luego de una descarga parcial. Por tanto, no hay necesidad de agotar la batería antes de insertar el conector del cargador.

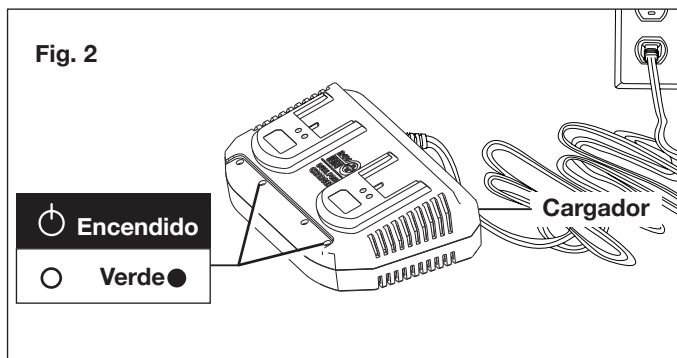
- Use las luces indicadoras de carga de batería para determinar cuándo cargar sus baterías de iones de litio iON+ 24VBAT.
- Usted puede cargar por completo sus baterías antes de empezar un trabajo grande, o luego de un uso prolongado.

Carga de las baterías

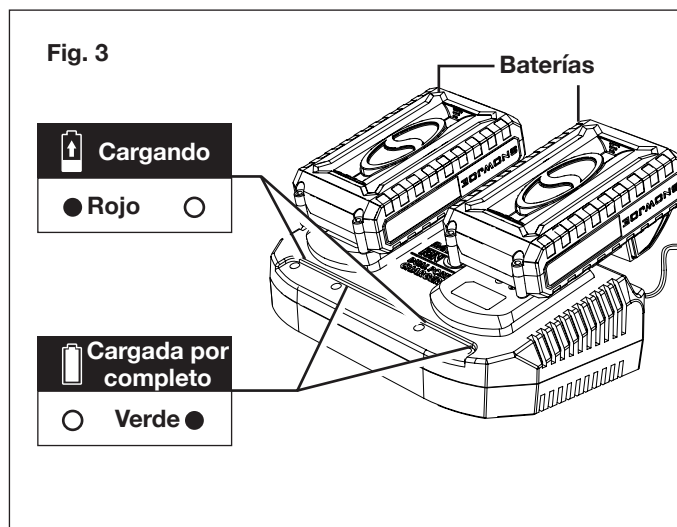
1. Presione los botones pulsadores de trabado en las baterías para poder extraer las baterías fuera del quitanieve (Fig. 1).



2. Compruebe que el voltaje de la red eléctrica sea el mismo que el indicado en la placa de especificaciones del cargador de la batería. Luego, inserte el enchufe del cargador en el tomacorriente de pared. Cuando enchufe el cargador, dos luces verdes se iluminarán y permanecerán verdes (Fig. 2).



3. Coloque las baterías en el cargador deslizándolas para trabarlas en su posición. Cuando usted inserte las baterías dentro del cargador, las dos luces verdes se apagarán y las luces rojas se encenderán indicando que las baterías se están cargando (Fig. 3).

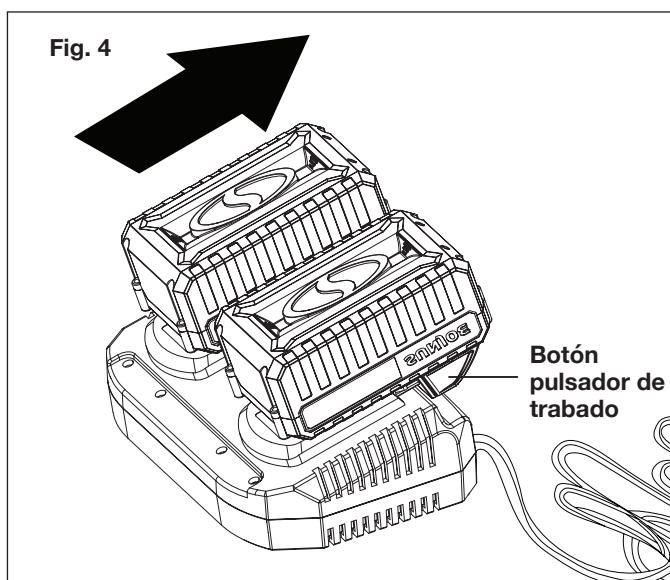


4. Cuando las luces del cargador se tornen verdes, las baterías estarán totalmente cargadas (Fig. 3).

NOTA: una batería descargada por completo, con una temperatura interna en el rango normal, se cargará por completo dentro de 1 hora y 50 minutos a una temperatura de entre 32°F (0°C) y 113°F (45°C).

5. Si las luces indicadoras no aparecen del todo, verifique que las baterías estén asentadas por completo en sus compartimientos. Retire las baterías y reinsértelas. Si el problema persiste, contacte a un distribuidor autorizado Snow Joe® + Sun Joe® o comuníquese con la central de servicio al cliente Snow Joe® + Sun Joe® llamando al 1-866-SNOWJOE (1-866-766-9563) para recibir asistencia.

6. Cuando se haya completado la carga, retire las baterías del cargador presionando los botones pulsadores de trabado y deslizando las baterías hacia atrás para desratarlas del cargador (Fig. 4).



7. Una recarga oportuna de las baterías ayudará a prolongar sus ciclos de vida útil. Usted debe recargar las baterías cuando note una caída en la potencia del equipo.

¡IMPORTANTE! Nunca permita que las baterías se descarguen por completo ya que se dañarán irreversiblemente.

Carga de una batería caliente o fría

Las luces verdes indicadoras en la base del cargador indican que las temperaturas de las baterías está fuera del rango de carga. Una vez que las baterías estén a una temperatura dentro del rango aceptable de carga, se cargarán normalmente y las luces rojas serán continuas. Las baterías frías o calientes pueden tardar más tiempo en cargarse.

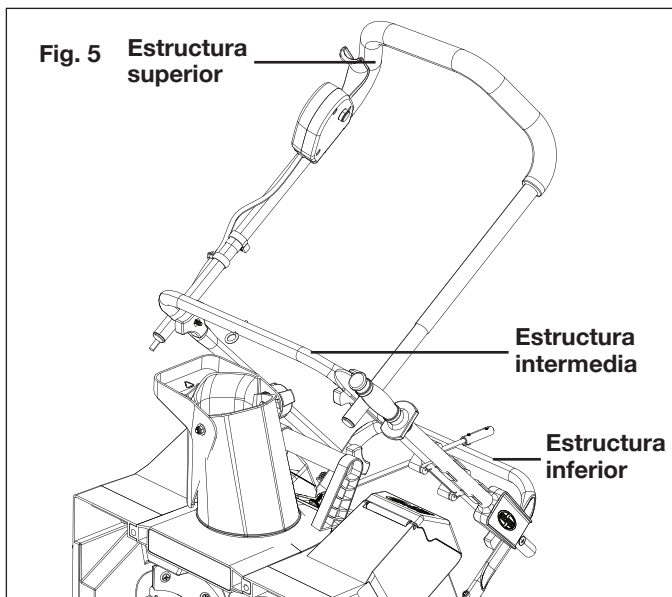
Estado de carga de batería de iones de litio

Temperatura de batería	Luz indicadora de base de cargador	Luz indicadora de batería	Estado de carga
Demasiado caliente	Verde	Parpadeando juntas	No se carga
Rango normal	Rojo	Parpadeando una por una	Carga normal
Muy fría	Verde	Parpadeando juntas	No se carga

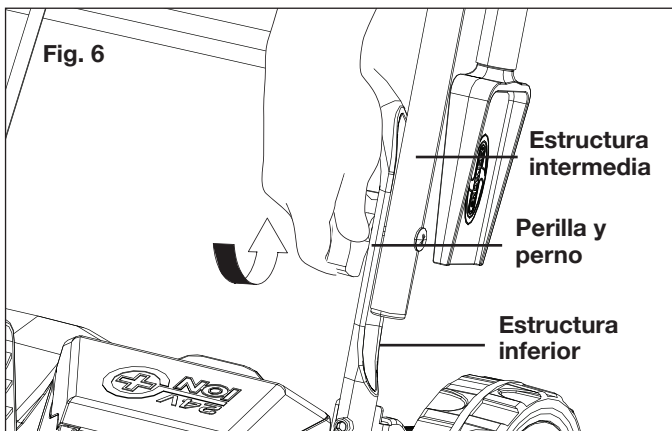
Ensamblado

Ensamblado de los mangos

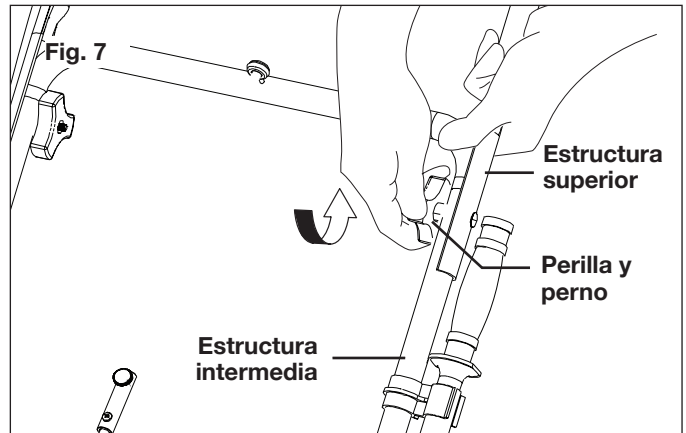
1. Para un fácil ensamblado, la unidad viene con la mayoría de sus partes ya instaladas. Para completar el ensamblado del mango, simplemente jale la estructura intermedia hacia atrás y levante la estructura superior (Fig. 5).



2. Asegure la conexión de la estructura intermedia con la estructura inferior ajustando el primer juego de tuercas de perillas y pernos en ambos lados (Fig. 6).

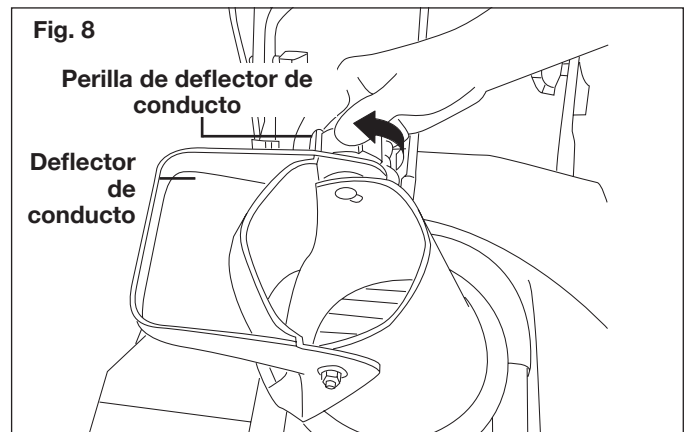


3. Asegure la conexión de la estructura superior con la estructura intermedia ajustando el segundo juego de perillas y pernos en ambos lados (Fig. 7).

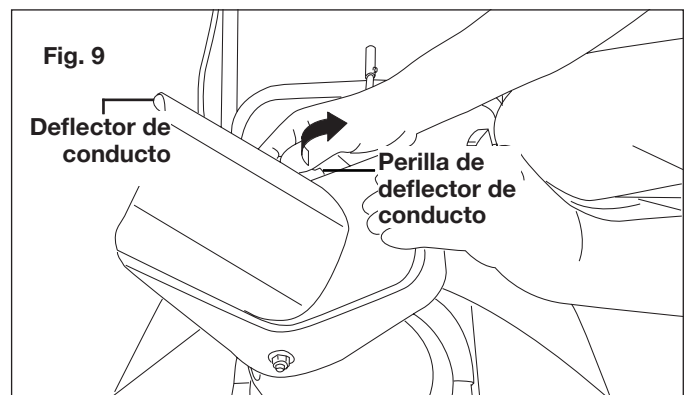


Ensamblado del conducto de descarga

1. Afloje la perilla de deflector de conducto para levantar el deflector (Fig. 8).



2. Levante el deflector de conducto y trábelo de forma segura en el conducto de descarga (Fig. 9).

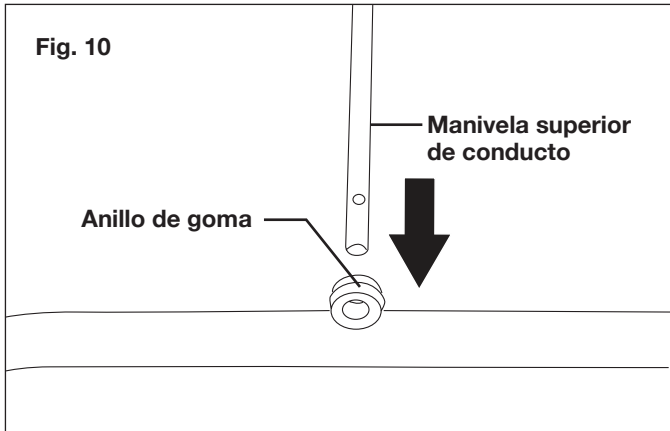


3. Levante o baje el deflector de conducto a la altura deseada del chorro de nieve y apriete la perilla de deflector de conducto (Fig. 9).

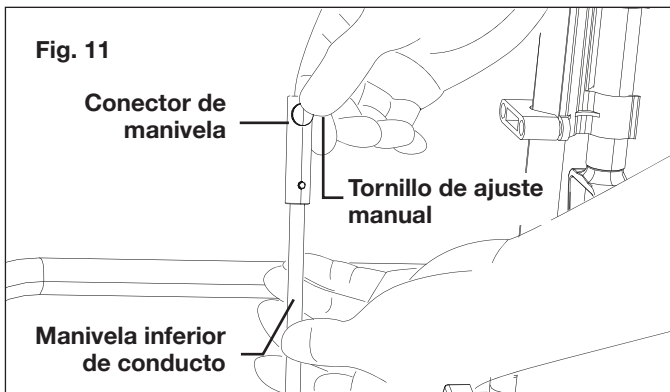
NOTA: no sobreajuste la perilla de deflector de conducto.

Ensamblado de la manivela del conducto

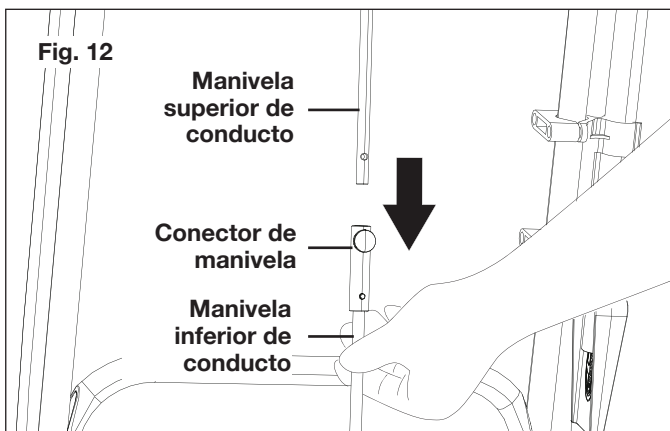
1. Deslice la manivela superior de conducto a través del anillo de goma ubicado en la estructura intermedia (Fig. 10).



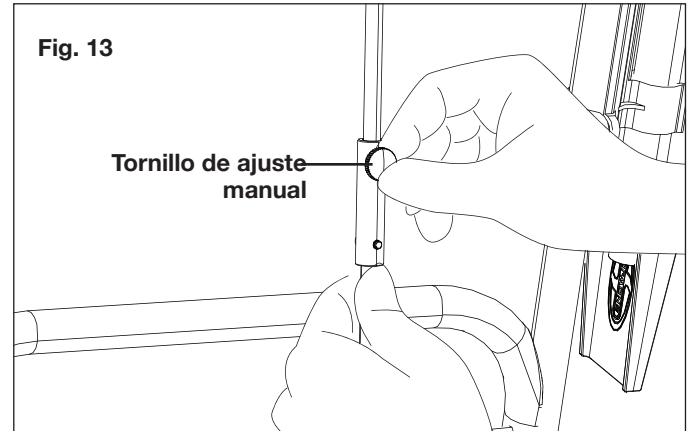
2. Afloje el tornillo de ajuste manual en la manivela inferior del conducto (Fig. 11).



3. Introduzca la manivela superior del conducto dentro de la manivela inferior del conducto (Fig. 12).



4. Alinee los orificios del tornillo y apriete el tornillo de ajuste manual (Fig. 13).

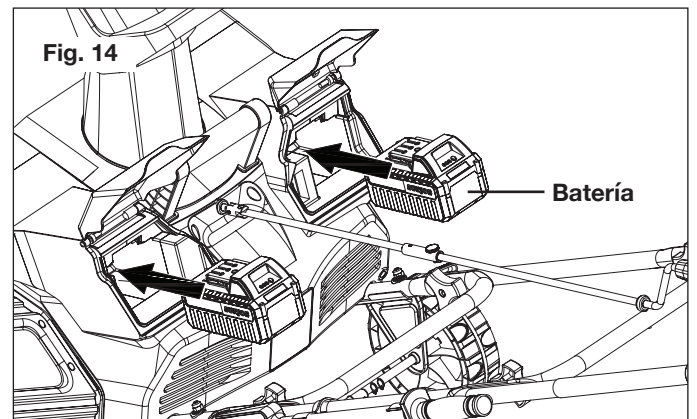


Operación

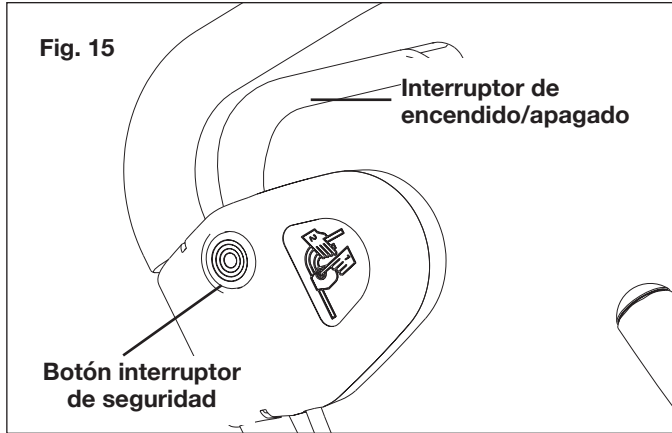
⚠ ¡ADVERTENCIA! Mantenga el área libre de piedras, juguetes u otros objetos extraños que las palas del rotor puedan capturar y lanzar. Dichos objetos pueden estar cubiertos por nieve y ser ignorados, así que asegúrese de inspeccionar minuciosamente el área antes de trabajar.

Arranque y parada

1. Abra las tapas de los compartimientos de batería y deslice hacia dentro las dos baterías hasta que hagan "clic" para trabarse en su posición (Fig. 14).



2. Manteniendo presionado el botón interruptor de seguridad, jale el gatillo de encendido/apagado hacia usted. Una vez que la máquina se encienda, suelte el botón interruptor de seguridad y empiece con la operación (Fig. 15). La máquina solo puede ser encendida primero presionando el botón interruptor de seguridad, y luego apretando el gatillo de encendido/apagado. Lo inverso no encenderá la máquina.



3. Para apagar la máquina, suelte el gatillo de encendido/apagado.

Consejos de operación

⚠ ¡ADVERTENCIA! Objetos extraños, como piedras, vidrios rotos, clavos, alambres o cuerdas pueden ser recogidos y arrojados por el quitanieve, causando lesiones personales severas. Retire todos los objetos extraños del área a ser trabajada antes de operar el quitanieve.

1. Mantenga el área de trabajo libre de objetos extraños que puedan ser arrojados por las palas del rotor. Lleve a cabo una inspección completa del área, ya que algunos objetos pueden estar ocultos a la vista por la nieve que los rodea. Si el quitanieve golpea una obstrucción o atrapa un objeto extraño durante su uso, detenga el quitanieve, retire las baterías, retire la obstrucción e inspeccione el quitanieve en busca de daños. Repare o reemplace cualquier parte dañada antes de volver a encender y operar la unidad.
2. Mantenga a las mascotas, niños y espectadores alejados del área de operación. Tenga en cuenta que el ruido normal de la máquina al ser encendida puede hacer difícil oír a la gente acercarse.
3. Al mover el quitanieve, use las ruedas en un lado como punto de pivote. Incline ligeramente el quitanieve sobre este punto de pivote para moverlo hacia adelante o hacia atrás.
4. Empiece su ruta de limpieza hacia afuera, lanzando la nieve en un movimiento hacia adelante y hacia atrás. Para limpiar en la dirección opuesta, gire el quitanieve sobre sus ruedas. Asegúrese de superponer las rutas de limpieza.
5. Tenga en cuenta la dirección del viento. De ser posible, muévase en la misma dirección que el viento de manera que la nieve no sea lanzada contra el viento (y por tanto hacia su cara y por sobre la ruta recién limpiada).
6. No empuje el quitanieve con demasiada fuerza. Usted debe empujar la máquina cuidadosamente y de forma uniforme, de acuerdo con la intensidad de lanzamiento de la unidad.

7. No aplique carga humana adicional al motor ya que esto puede causarle daños.
8. Algunas partes del quitanieve se pueden congelar bajo condiciones de temperatura extremas. No intente operar el quitanieve con partes congeladas. Si las partes se congelan mientras el quitanieve está siendo usado, detenga el quitanieve, retire las baterías e inspeccione en busca de partes congeladas. Libere todas las partes antes de volver a encender u operar el quitanieve. Nunca fuerce los controles que se hayan congelado.
9. Al trabajar sobre piedras, grava o superficies sin pavimentar, evite lanzar junto con la nieve materiales sueltos de superficie empujando hacia abajo en el mango para levantar la barra raspadora en la base de la unidad por sobre las piedras o grava.

Luz frontal

El quitanieve está equipado con una luz frontal para iluminar la trayectoria en la oscuridad. La luz frontal se encenderá cuando la máquina se arranque presionando el botón de seguridad y jalando el gatillo interruptor (Fig. 15).

NOTA: La luz estará encendida solo cuando el quitanieve esté funcionando. La luz se apagará de forma automática 30 segundos después de que la máquina se apague.

Cambio de la dirección y altura de lanzado



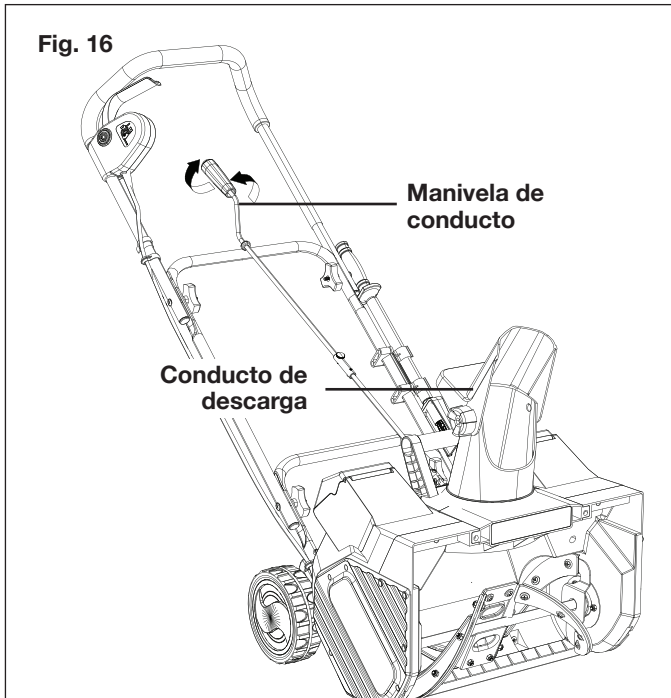
ADVERTENCIA



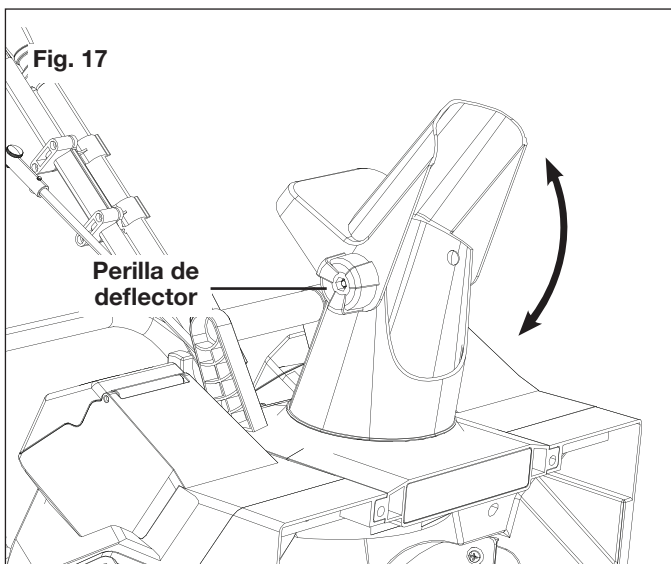
Nunca apunte el conducto de descarga al operador, espectadores, vehículos o ventanas cercanas. Los objetos extraños lanzados junto con la nieve accidentalmente pueden causar daños materiales y lesiones personales severas.

Siempre oriente el conducto de descarga a la dirección opuesta a donde usted, los espectadores, vehículos y ventanas en los alrededores estén ubicados.

1. El conducto de descarga puede ser ajustado 180° girando la manivela del conducto. Gire la manivela de control de conducto en sentido horario para mover el conducto de descarga hacia la izquierda y en sentido antihorario para mover el conducto a la derecha (Fig. 16).



2. El deflector de conducto en la parte superior del conducto de descarga controla la altura del flujo de nieve. Afloje las perillas para levantar o bajar el deflector a la altura deseada de nieve que usted desee lanzar. Apriete las perillas para asegurar el deflector (Fig. 17).



ADVERTENCIA



Asegúrese de que el deflector de conducto se enganche y trabe completamente sobre el conducto de descarga. Una abertura entre el conducto de descarga y el deflector de conducto puede permitir que objetos extraños recogidos por el quitanieve sean lanzados en la dirección del operador, causando lesiones personales severas.

- No mueva el deflector de conducto demasiado hacia adelante provocando que aparezca una abertura entre el deflector y el conducto de descarga.
- No apriete demasiado las perillas en el deflector de conducto.

Mantenimiento

Para ordenar partes de repuesto o accesorios genuinos del quitanieve inalámbrico 24V-X2-SB18 de Snow Joe®, visite snowjoe.com o comuníquese con la central de servicio al cliente Snow Joe® + Sun Joe® llamando al 1-866-SNOWJOE (1-866-766-9563).

⚠ ¡ADVERTENCIA! Asegúrese de apagar el interruptor y retirar las baterías antes de llevar a cabo cualquier tarea de mantenimiento en su quitanieve.

Lubricación de por vida (motor y barrena)

La lubricación no es necesaria y puede dañar la unidad. Este quitanieve ha sido lubricado en la fábrica para un uso de por vida antes de ser enviado.

Consejos generales de mantenimiento

1. No intente reparar la máquina a no ser que usted tenga las herramientas e instrucciones apropiadas para desarmarla y repararla.
2. Verifique los pernos y tornillos en intervalos frecuentes para un ajuste correcto y asegurarse de que el equipo esté en una condición de trabajo segura.
3. Después de cada sesión de retiro de nieve, mantenga el quitanieve funcionando por unos minutos más para evitar que el rotor/barrena se congelen. Apague el motor, espere a que todas las partes giratorias se detengan por completo, y retire el hielo y nieve residuales de la unidad. Gire el deflector de conducto girando la manivela de conducto varias veces para retirar cualquier exceso de nieve.

Cuidado apropiado de las baterías y cargador

⚠ ¡ADVERTENCIA! Para reducir el riesgo de lesiones personales, desenchufe siempre el cargador y retire las baterías del cargador antes de llevar a cabo cualquier tarea de mantenimiento. Nunca desarme las baterías ni el cargador. Para TODAS las reparaciones, comuníquese con su distribuidor Snow Joe® + Sun Joe® o con la central de servicio al cliente Snow Joe® + Sun Joe®.

1. Para reducir el riesgo de daños y lesiones personales, nunca sumerja las baterías o el cargador en un líquido ni permita que ningún líquido entre dentro de estos componentes.
2. Limpie de polvo y residuos los conductos de ventilación del cargador y los contactos eléctricos soplándolos con aire comprimido.
3. Use solo detergente suave en un paño húmedo para limpiar las baterías y el cargador, manteniendo el paño alejado de todos los contactos eléctricos. Ciertos agentes y solventes de limpieza son dañinos para los plásticos y otras partes aisladas. Algunos de estos incluyen gasolina, trementina, diluyente de laca, diluyente de pintura, solventes clorados para limpieza, amoníaco y detergentes caseros con amoníaco. Nunca use solventes inflamables o combustibles cerca de baterías, cargadores de batería, o herramientas.
4. El cargador de baterías de iones de litio iON+ de 24 V no tiene partes reparables.

Mantenimiento y almacenamiento

1. Haga funcionar la máquina unos cuantos minutos luego de retirar nieve para evitar que la barrena se congele.
2. Examine el quitanieve inalámbrico cuidadosamente y compruebe que no haya partes gastadas, sueltas o dañadas. En caso de necesitar una reparación o reemplazar una parte, contacte a un distribuidor autorizado Snow Joe® + Sun Joe® o comuníquese con la central de servicio al cliente Snow Joe® + Sun Joe® llamando al 1-866-SNOWJOE (1-866-766-9563) para obtener asistencia.
3. Limpie el quitanieve antes de guardarlo o transportarlo. Asegúrese de sujetar la unidad durante su transporte.

4. Retire las baterías y la llave de seguridad del quitanieve inalámbrico antes de almacenarlo.
5. Para prevenir daños o un uso no autorizado, guarde el quitanieve inalámbrico en interiores, en un lugar seco y bajo llave, lejos del alcance de los niños.
6. Conserve las etiquetas de seguridad y de instrucciones, de ser necesario.
7. Consulte siempre la sección “almacenamiento de la batería y el cargador fuera de temporada” para información importante si el quitanieve se va a guardar por un periodo prolongado.

Almacenamiento de la batería y el cargador fuera de temporada

1. No exponga sus baterías o cargador al agua o lluvia, ni permita que se mojen. Esto podría dañar permanentemente las baterías y el cargador. No use aceites o solventes para limpiar o lubricar sus baterías ya que sus cubiertas de plástico pueden tornarse quebradizas y romperse, causando lesiones personales graves.
2. Guarde las baterías y el cargador a una temperatura ambiente, lejos de la humedad. No los guarde en lugares húmedos donde los terminales se puedan corroer. Como con cualquier otro tipo de batería, puede ocurrir una pérdida permanente de capacidad si las baterías son almacenadas por largos periodos de tiempo a elevadas temperaturas (más de 120°F [49°C]).
3. Las baterías de iones de litio iON+ de 24 V mantienen su carga durante el almacenamiento por más tiempo que otras baterías. Como costumbre, es mejor desenchufar el cargador y retirar las baterías cuando no estén siendo usados. Recargue las baterías cada seis meses al 50% de su capacidad (dos luces encendidas) durante el almacenamiento fuera de temporada para mantener un rendimiento óptimo de las baterías.

Precaución y eliminación de las baterías

Deshágase de sus baterías de acuerdo con los reglamentos federales, estatales y locales. Para encontrar lugares de reciclaje, comuníquese con un servicio de reciclaje en su localidad.

⚠ ¡PRECAUCIÓN! Incluso las baterías descargadas contienen algo de energía. Antes de deshacerse de estas, use cinta aislante para cubrir los terminales y evitar que las baterías hagan cortocircuito, lo cual puede causar una explosión o incendio.

⚠ ¡ADVERTENCIA! Para reducir el riesgo de lesiones personales o explosión, nunca queme ni incinere las baterías incluso si están dañadas, inservibles o completamente descargadas. Al ser quemada, los humos y materiales tóxicos son lanzados a la atmósfera circundante.

1. Las baterías varían de acuerdo al dispositivo. Consulte su manual para obtener la información específica.
2. Instale solo nuevas baterías del mismo tipo en su producto (donde corresponda).
3. No insertar las baterías con la polaridad correcta, tal como se indica en el compartimiento de la batería o en el manual, puede reducir el ciclo de vida útil de las baterías o causar fugas en estas.
4. No combine baterías nuevas con antiguas.
5. No combine baterías alcalinas, estándar (de zinc-carbono) o recargables (de níquel-cadmio, de níquel-hidruro metálico o de iones de litio).
6. No arroje las baterías al fuego.
7. Las baterías deben ser recicladas o desechadas según los reglamentos locales y estatales.

Servicio y soporte

Si su quitanieve inalámbrico 24V-X2-SB18 de Snow Joe® requiere servicio o mantenimiento, comuníquese con la central de servicio al cliente Snow Joe® + Sun Joe® llamando al 1-866-SNOWJOE (1-866-766-9563).

Modelo y número de serie

Al comunicarse con la empresa, ordenar partes de repuesto o programar una reparación en un centro autorizado, usted necesitará proporcionar el modelo y número de serie, los cuales se encuentran en la etiqueta ubicada en la carcasa de la unidad. Copie estos números en el espacio proporcionado a continuación.

Registre los siguientes números que se encuentran en la carcasa o mango de su nuevo producto:	
Modelo:	2 4 V - X 2 - S B 1 8
N° de serie:	

24VCHRG-DPC

Federal Communications Commission (Comisión Federal de Comunicaciones o FCC):

⚠ ¡ADVERTENCIA! Cualquier cambio o modificación a esta unidad no aprobado expresamente por la parte responsable por el cumplimiento puede hacer que el usuario pierda el derecho de utilizar el equipo.

Dispositivo Clase B:

NOTA: este equipo ha sido probado y cumple con los límites de la Clase B de dispositivos digitales, de acuerdo con la Parte 15 de las normas de la FCC.

Estos límites están diseñados para proporcionar protección razonable contra interferencias dañinas en una instalación residencial.

Este equipo genera, usa y puede irradiar energía de radiofrecuencia y, si no se instala y utiliza de acuerdo con las instrucciones, puede provocar interferencias perjudiciales en las comunicaciones radiofónicas.




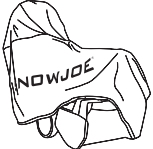
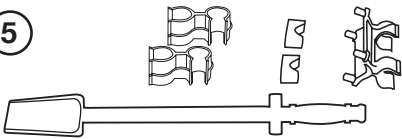
No obstante, no hay garantía alguna de que no se produzcan interferencias en una instalación concreta.

Si este equipo llegara a causar una interferencia perjudicial para la recepción de radio o televisión (la cual se puede determinar apagando y encendiendo el equipo), se recomienda que el usuario trate de corregir la interferencia tomando una o más de las siguientes medidas:

- Reorientar o reubicar la antena receptora.
- Aumentar la distancia entre el equipo y el receptor.
- Conectar el equipo a un tomacorriente correspondiente a un circuito diferente de aquel al que está conectado el receptor.
- Consultar con un comerciante o con un técnico experimentado de radio y televisión.

Accesorios

⚠ ¡ADVERTENCIA! USE SIEMPRE solo partes de repuesto y accesorios Snow Joe® + Sun Joe®. NUNCA use partes de repuesto o accesorios que no estén destinados para su uso con este quitanieve inalámbrico. Comuníquese con Snow Joe® + Sun Joe® si tiene dudas sobre si es seguro usar una parte de repuesto o accesorio en particular con su quitanieve inalámbrico. El uso de cualquier otro accesorio o parte puede ser peligroso y causar lesiones personales o daños mecánicos.

Accesorio	Descripción	Modelo
1 	Batería de iones de litio iON+ de 24 V y 4.0 Ah	24VBAT
2 	Batería de iones de litio iON+ de 24 V y 5.0 Ah	24VBAT-XR
3 	Cargador rápido de batería de iones de litio iON+ de 24 V	24VCHRG-QC
4 	Cubierta universal protectora de quitanieve eléctrico de 21 plg	SJCVR-21
5 	Herramienta universal de limpieza de conducto de quitanieve	SJCOT

NOTA: los accesorios están sujetos a cambios sin obligación alguna por parte de Snow Joe® + Sun Joe® de notificar sobre dichos cambios. Los accesorios pueden ser pedidos en línea en snowjoe.com o vía telefónica llamando a la central de servicio al cliente Snow Joe® + Sun Joe® al 1-866-SNOWJOE (1-866-766-9563).



LA PROMESA DE SNOW JOE® + SUN JOE® AL CLIENTE

POR SOBRE TODO, en Snow Joe, LLC (“Snow Joe”) estamos dedicados a usted, nuestro cliente. Nos esforzamos por hacer que su experiencia sea lo más placentera posible. Desafortunadamente, hay veces en que un producto Snow Joe®, Sun Joe®, o Aqua Joe® (el “Producto”) no funciona o sufre un desperfecto bajo condiciones normales de operación. Creemos que es importante que usted sepa que puede confiar en nosotros. Es por eso que tenemos esta Garantía Limitada (la “Garantía”) para nuestros Productos.

NUESTRA GARANTÍA:

Snow Joe garantiza que sus Productos motorizados y no motorizados, nuevos y genuinos, están libres de defectos materiales o de mano de obra al ser usados en tareas domésticas normales durante un periodo de dos (2) años a partir de la fecha de compra por parte del comprador original y usuario final, cuando este último los compra a través de Snow Joe o un vendedor autorizado por Snow Joe y ha obtenido un comprobante de compra. Ya que Snow Joe no puede controlar la calidad de sus Productos vendidos por vendedores no autorizados, a menos que la ley lo prohíba esta Garantía no cubre Productos adquiridos a través de vendedores no autorizados. Si su Producto no funciona, o hay un problema con una parte específica que está cubierta por los términos de esta Garantía, Snow Joe elegirá entre: (1) enviarle una parte de repuesto gratuita; (2) reemplazar el Producto con uno nuevo o similar sin costo alguno; o (3) reparar el Producto. ¡Un excelente soporte!

Esta Garantía le da derechos legales específicos, y usted puede también tener otros derechos según el Estado.

REGISTRO DEL PRODUCTO:

Snow Joe le recomienda enfáticamente registrar su Producto. Usted puede registrar su Producto en línea visitando snowjoe.com/register, imprimiendo y enviando por correo una tarjeta de registro disponible en línea en nuestro sitio Web, llamando a nuestra central de servicio al cliente al **1-866-SNOWJOE (1-866-766-9563)**, o enviándonos un e-mail a help@snowjoe.com. Si usted no registra su Producto sus derechos de garantía no disminuirán; sin embargo, registrar su Producto permitirá que Snow Joe le pueda atender mejor si usted tiene alguna necesidad como cliente.

¿QUIÉN PUEDE SOLICITAR COBERTURA DE GARANTÍA LIMITADA?

Esta Garantía es otorgada por Snow Joe al comprador original y propietario original del Producto.

¿QUÉ NO ESTÁ CUBIERTO?

Esta Garantía no se aplica si el Producto ha sido usado de forma comercial o en aplicaciones no domésticas o de alquiler. Esta Garantía tampoco se aplica si el Producto fue adquirido desde un vendedor no autorizado. Esta garantía tampoco cubre cambios cosméticos que no afecten el funcionamiento del Producto. Las partes desgastables como correas, brocas y cuchillas no están cubiertas por esta Garantía, y pueden ser compradas visitando snowjoe.com o llamando al **1-866-SNOWJOE (1-866-766-9563)**.



**SNOWJOE****FR**

SOUFFLEUSE À NEIGE SANS CORDON

48 V MAX.* | 4,0 Ah | 46 cm | PHARE À DEL

MANUEL D'UTILISATION

A Division of Snow Joe®, LLC

Modèle 24V-X2-SB18

Formulaire n° SJ-24V-X2-SB18-880F-MR4

IMPORTANT!

Consignes de sécurité

Tous les utilisateurs doivent lire ces instructions avant d'utiliser la machine

Lisez toutes les instructions lorsque vous utilisez une souffleuse à neige sans cordon. Les précautions de sécurité de base doivent toujours être suivies pour réduire le risque d'incendie, de secousse électrique ou de blessures.

Règles de sécurité générale

Prenez note du symbole d'alerte de sécurité personnelle

⚠ utilisé dans ce manuel pour attirer votre attention sur un **AVERTISSEMENT** s'appliquant à une consigne d'utilisation particulière. Ce symbole indique que cette utilisation nécessite d'être particulièrement **VIGILANT**, de **PRENDRE DES PRÉCAUTIONS** et d'être **CONSCIENT DES DANGERS**.

- **Maintenir la zone de travail propre et bien éclairée** – Les endroits encombrés et sombres sont propices aux accidents.
- **Maintenir les spectateurs à bonne distance** – Tous les spectateurs et les animaux familiers doivent être maintenus à une distance de sécurité de la zone de travail.
- **S'habiller en conséquence** – Ne portez ni vêtements amples ni bijoux. Ils peuvent être happés par les pièces mobiles. Il est recommandé de porter des gants de protection en caoutchouc et des chaussures à semelle antidérapante pour tout travail à l'extérieur.
- **Utiliser la bonne machine** – N'utilisez pas cette machine pour des travaux différents de ceux auxquels elle est destinée.
- **⚠ MISE EN GARDE!** – Faire très attention pour éviter de glisser ou de tomber. Porter des chaussures de protection pour se protéger les pieds et avoir une meilleure prise sur les revêtements glissants.
- **Porter des lunettes de sécurité** – Portez également des chaussures de protection, des vêtements serrés près du corps, des gants de protection, des protecteurs d'oreille et une protection de la tête.
- **Ne pas forcer la souffleuse à neige** – Pour un rendement optimal et une sécurité maximale, utilisez la souffleuse à neige au régime du moteur pour lequel elle a été conçue.

- **Rester vigilant** – Surveillez ce que vous faites. Faites preuve de bon sens. N'utilisez pas la souffleuse à neige quand vous êtes fatigué ou si vous êtes sous l'emprise de l'alcool ou de la drogue.
- **Ne pas s'arc-bouter** – Restez en permanence sur les deux pieds pour ne pas perdre l'équilibre.
- **Remiser la machine à l'intérieur** – Lorsqu'elle n'est pas utilisée, la souffleuse à neige doit être remise dans un endroit sec, surélevé, hors de portée des enfants ou sous clé.
- **Entretien la souffleuse à neige avec soin** – Suivez les consignes de lubrification et de changement d'accessoire.

⚠ AVERTISSEMENT! Toujours relâcher la gâchette marche-arrêt et retirer les blocs-piles avant de régler, inspecter, réparer ou nettoyer la souffleuse à neige, lors d'un changement d'accessoire ou lorsque d'autres conditions dangereuses se présentent. Chacune de ces opérations doit être effectuée une fois que les pièces rotatives à l'intérieur de la souffleuse à neige se sont complètement arrêtées. Ces mesures préventives de sécurité visent à réduire le risque de démarrage accidentel de la machine électrique.

⚠ AVERTISSEMENT! Si vous remplacez une pièce, quelle qu'elle soit, vous devez strictement observer les instructions et les procédures décrites dans ce manuel d'utilisation. Des précautions spéciales doivent être prises pour toutes les pièces en caoutchouc dans la mesure où ces pièces peuvent surcharger le moteur et réduire sa puissance mécanique si elles sont endommagées.

⚠ AVERTISSEMENT! Si vous remarquez que la souffleuse à neige ne fonctionne pas normalement ou si vous entendez des sons anormaux provenant du moteur quand il tourne, arrêtez immédiatement la machine, retirez les batteries et communiquez avec votre centre d'entretien et de réparation.

- **Revêtements** – Cette souffleuse à neige est destinée à être utilisée sur une surface revêtue. Ne l'utilisez pas sur du gravier, de la pierre ou sur d'autres revêtements non revêtus, à moins que la souffleuse à neige soit réglée pour ce type de revêtements, conformément aux instructions fournies dans ce manuel d'utilisation.
- **Les pièces mobiles présentent des risques** – Maintenez le visage, les cheveux, les vêtements, les mains et les pieds éloignés de toutes les pièces mobiles. Toutes les protections et tous les accessoires de sécurité doivent être convenablement posés avant d'utiliser la machine. Retirez les batteries avant de toucher toute pièce autre que le guidon et l'interrupteur.

- Évitez tout démarrage involontaire : avant d'insérer les blocs-piles dans la machine, assurez-vous que le bouton poussoir de sécurité et la gâchette marche-arrêt sont à la position d'arrêt. Ne transportez pas la souffleuse à neige si le bouton-poussoir de sécurité et la gâchette marche-arrêt ne sont pas à la position d'arrêt.
- **Ne pas s'arc-bouter** – Restez en permanence sur les deux pieds pour ne pas perdre l'équilibre. Les talons bien posés sur le sol, saisissez fermement le guidon. Ne vous laissez pas surprendre par l'irrégularité du revêtement et ne vous arc-boutez pas. Si vous chutez ou si vous heurtez la souffleuse à neige, inspectez la machine pour vérifier la présence éventuelle de dommages ou de fissures. Lorsque vous reculez, pour ne pas chuter, veillez à éviter tout obstacle sous vos pieds ou derrière vous.

⚠ AVERTISSEMENT! Si la souffleuse à neige heurte quoi que ce soit, suivez ces étapes :

- i) Arrêter la souffleuse à neige. Retirer les batteries.
- ii) Vérifier si la machine n'est pas endommagée.
- iii) Réparer tout dommage avant de redémarrer et d'utiliser à nouveau la souffleuse à neige.

Consignes de sécurité concernant les batteries et le chargeur

Nous avons consacré beaucoup de temps à la conception de chaque bloc-piles afin de nous assurer de vous fournir des batteries qui peuvent être utilisées sans danger, sont robustes et ont une énergie volumique élevée. Les cellules des batteries sont dotées d'un large éventail de dispositifs de sécurité. Chaque cellule individuelle est initialement formatée et ses courbes électriques caractéristiques sont enregistrées. Ces données sont ensuite utilisées exclusivement pour pouvoir assembler les meilleurs blocs-piles possible.

Malgré toutes ces mesures de précaution, il faut toujours faire preuve de prudence lors de la manipulation de batteries. Pour utiliser sans danger les batteries, les points suivants doivent être observés en permanence. L'utilisation sans danger peut uniquement être garantie si les cellules sont intactes. Toute manipulation inappropriée des blocs-piles peut endommager les cellules.

IMPORTANT! Les analyses confirment que la mauvaise utilisation de batteries à haut rendement et un entretien laissant à désirer sont les principaux facteurs responsables de dommages corporels et/ou matériels.

⚠ AVERTISSEMENT! Lire tous les avertissements de sécurité et toutes les consignes. Le non-respect de tous les avertissements et de toutes les consignes de sécurité pourrait être à l'origine d'une secousse électrique, d'un incendie ou de graves blessures.

⚠ AVERTISSEMENT! Utiliser uniquement des batteries de rechange homologuées. D'autres types de batteries peuvent endommager la souffleuse à neige et empêcher son bon fonctionnement.

⚠ MISE EN GARDE! Pour réduire le risque de blessure, charger les blocs-piles au lithium-ion iON+ 24V uniquement dans le chargeur au lithium-ion iON+ 24V désigné. Les autres types de chargeurs présentent des risques d'incendie et de dommages corporels et matériels. Ne brancher aucun bloc-piles sur le secteur ou l'allume-cigare d'une voiture. Le bloc-piles serait définitivement et irrémédiablement endommagé.

- **Évitez les environnements dangereux :** ne chargez pas les blocs-piles sous la pluie, sous la neige ou dans les endroits humides. N'utilisez pas les blocs-piles ou le chargeur lorsque l'atmosphère est explosive (effluents gazeux, poussière ou matières inflammables), des étincelles pouvant se produire lors de l'insertion ou du retrait des blocs-piles, ce qui pourrait provoquer un incendie.
- **Chargez dans un endroit bien ventilé :** ne bloquez pas les orifices de ventilation du chargeur. Dégagez le voisinage immédiat du chargeur pour qu'il soit bien ventilé. Interdisez de fumer et n'autorisez la présence d'aucune flamme nue à proximité de blocs-piles se chargeant. Le gaz dispersé dans l'atmosphère peut exploser.

REMARQUE : les températures de la plage de sécurité des batteries sont comprises entre -20 °C et 45 °C. Ne chargez pas les batteries à l'extérieur lorsqu'il gèle, chargez-les à température ambiante.

- **Prenez soin du cordon du chargeur :** lorsque vous débranchez le chargeur, pour éviter d'endommager la fiche électrique et le cordon, tirez sur la fiche dans la prise et non sur le cordon. Ne tirez jamais le chargeur par le cordon et ne tirez pas brusquement sur le cordon pour le retirer de la prise. Maintenez le cordon éloigné de la chaleur, de l'huile et des arêtes tranchantes. Pendant l'utilisation du chargeur, assurez-vous que personne ne marche sur le cordon, ne trébuche dessus et qu'il ne peut être ni endommagé ni soumis à des tensions ou des pressions. N'utilisez pas le chargeur si sa fiche ou son cordon est endommagé. Remplacez immédiatement tout chargeur endommagé.
- **N'utilisez pas de rallonge électrique, à moins que cela soit absolument nécessaire :** l'utilisation d'une rallonge électrique mal adaptée, endommagée ou mal branchée présente des risques d'incendie et de secousse électrique. S'il s'avère nécessaire d'utiliser une rallonge électrique, branchez le chargeur dans une rallonge électrique de calibre 16 ou plus gros, la fiche femelle correspondant à la fiche mâle sur le chargeur. Vérifiez que la rallonge électrique est en bon état.
- **Le chargeur 24VCHRG-DPC est prévu uniquement pour 120 VCA :** il doit être branché dans une prise appropriée.
- **Utilisez uniquement des accessoires recommandés :** l'utilisation d'un accessoire non recommandé ou vendu par le fabricant des blocs-piles ou du chargeur peut provoquer un incendie, une secousse électrique ou des dommages corporels.

- **Débranchez tout chargeur non utilisé** : assurez-vous de retirer les blocs-piles d'un chargeur débranché.

⚠️ AVERTISSEMENT! Pour réduire le risque de secousse électrique, toujours débrancher le chargeur avant d'effectuer un nettoyage ou un entretien. Ne pas laisser d'eau couler dans le chargeur. Pour réduire le risque d'électrocution, utiliser un disjoncteur différentiel de fuite de terre (DDFT).

- **Ne brûlez pas ou n'incinerez pas les blocs-piles** : ils peuvent exploser et provoquer des dommages corporels ou matériels. Des vapeurs et des particules toxiques se dégagent des blocs-piles qui brûlent.
- **N'écrasez pas, ne faites pas tomber ou n'endommagez pas les blocs-piles** : n'utilisez pas les blocs-piles ou le chargeur s'ils ont reçu un coup brutal, s'ils sont tombés, s'ils ont été écrasés ou endommagés d'une façon ou d'une autre (c.-à-d., percés par un clou, frappés d'un coup de marteau, foulés au pied, etc.).
- **Retirez les blocs-piles de la machine avant de procéder à un réglage, de changer d'accessoire ou de remiser la machine** : ces mesures préventives de sécurité visent à réduire le risque de démarrage accidentel de la machine.
- **Évitez tout démarrage involontaire** : avant d'insérer les blocs-piles dans la machine, assurez-vous que le bouton poussoir de sécurité et la gâchette marche-arrêt sont à la position d'arrêt. Ne transportez pas la souffleuse à neige si le bouton-poussoir de sécurité et la gâchette marche-arrêt ne sont pas à la position d'arrêt.
- **Lorsque vous n'utilisez pas les blocs-piles, rangez-les à l'écart d'autres objets métalliques** : par exemple les trombones, pièces de monnaie, clés, clous, vis ou autres petits objets métalliques qui peuvent établir un contact entre les deux bornes. Le court-circuit des bornes d'une batterie peut être à l'origine de brûlures ou d'un incendie.
- **Si une batterie est malmenée, du liquide peut en être éjecté et il faut éviter de le toucher** : en cas de contact accidentel, rincez à l'eau. En cas de contact du liquide avec les yeux, consultez un médecin. Le liquide qui s'échappe de la batterie peut causer une irritation ou des brûlures.
- **N'utilisez pas un bloc-piles ou un chargeur qui a été modifié** : les batteries endommagées ou modifiées peuvent se comporter de manière imprévisible et provoquer un incendie ou une explosion ou présenter un risque de blessure.
- **N'exposez pas les blocs-piles ou le chargeur au feu ou à une température excessive** : toute exposition au feu ou à une température supérieure à 130 °C peut déclencher une explosion.
- **Suivez toutes les instructions de charge des blocs-piles en veillant à ne jamais procéder à cette opération à une température en dehors de la plage spécifiée dans ces instructions** : les batteries qui sont chargées de façon inappropriée ou à une température en dehors de la plage spécifiée peuvent être endommagées et augmenter le risque d'incendie.

- **Faites réparer ou entretenir les blocs-piles et le chargeur par un réparateur qualifié utilisant uniquement des pièces de rechange identiques** : en pratiquant ainsi, vous assurerez le maintien de la sécurité de vos produits.
- **Ne modifiez pas ou n'essayez pas de réparer les blocs-piles ou le chargeur** : sauf, le cas échéant, précisions contraires concernant leur utilisation ou leur entretien.
- **Ne démontez rien** : un remontage mal effectué peut présenter un risque important de secousse électrique, d'incendie ou d'exposition aux produits chimiques des batteries. Si les batteries ou le chargeur sont endommagés, veuillez communiquer avec un revendeur Snow Joe® + Sun Joe® agréé ou appeler le service clientèle Snow Joe® + Sun Joe® au 1-866-SNOWJOE (1-866-766-9563).
- **Les produits chimiques des batteries peuvent occasionner de graves brûlures** : ne laissez jamais un bloc-piles endommagé entrer en contact avec la peau, les yeux ou la bouche. Si un bloc-piles endommagé laisse fuir des produits chimiques, utilisez des gants en caoutchouc ou en néoprène pour les éliminer sans danger. Si la peau est entrée en contact avec les fluides d'une batterie, lavez la zone affectée à l'eau et au savon et rincez au vinaigre. Si les yeux sont entrés en contact avec les produits chimiques d'une batterie, rincez immédiatement à grande eau pendant 20 minutes et consultez un médecin. Retirez les vêtements contaminés et jetez-les.
- **Rangez les blocs-piles et le chargeur dans un endroit frais et sec** : ne rangez pas les blocs-piles ou le chargeur quand la température peut être supérieure à 40 °C, par exemple directement sous les rayons du soleil, à l'intérieur d'un véhicule ou dans un cabanon à structure métallique pendant l'été.

Renseignements sur les batteries

1. Les blocs-piles fournis avec votre souffleuse à neige sans cordon ne sont que partiellement chargés. Les blocs-piles doivent être complètement chargés avant d'utiliser la machine pour la première fois.
2. Pour que les blocs-piles fonctionnent de manière optimale, évitez d'attendre qu'ils soient presque déchargés et chargez-les fréquemment.
3. Rangez les blocs-piles dans un endroit frais, idéalement à 15 °C et à charge complète.
4. Les batteries au lithium-ion s'usent naturellement avec le temps. Les blocs-piles doivent être remplacés au plus tard lorsque leur capacité d'origine, à l'état neuf, chute de 80 %. Les cellules affaiblies dans des blocs-piles usés ne peuvent plus produire la forte intensité exigée pour que votre souffleuse à neige fonctionne normalement, et ils présentent donc un risque pour la sécurité.
5. Ne jetez pas les blocs-piles dans un feu nu, ils pourraient exploser.
6. Ne mettez pas le feu aux blocs-piles et ne les exposez pas à une flamme.

7. Ne déchargez jamais complètement les blocs-piles. Les cellules d'une batterie complètement déchargée seront endommagées. Le rangement prolongé et la non-utilisation d'une batterie partiellement déchargée sont les causes les plus communes d'une décharge complète. Arrêtez votre travail dès que vous remarquez que la puissance de la batterie chute ou dès que le système de protection électronique se déclenche. Rangez les blocs-piles pour une longue période uniquement s'ils sont à charge complète.
8. Protégez les batteries et la machine contre les surcharges. Les surcharges donneront rapidement lieu à une surchauffe et endommageront les cellules à l'intérieur du boîtier des batteries, même si cette surchauffe n'est pas visible de l'extérieur.
9. Évitez d'endommager les batteries et de les soumettre à des chocs. Remplacez immédiatement toute batterie qui est tombée d'une hauteur supérieure à un mètre ou qui a été soumise à des chocs violents, même si le boîtier du bloc-piles ne semble pas endommagé. Les cellules à l'intérieur de la batterie peuvent avoir été gravement endommagées. Dans ce cas, veuillez lire les renseignements sur l'élimination des déchets en ce qui concerne les batteries.
10. Si les blocs-piles souffrent d'une surcharge ou d'une surchauffe, le coupe-circuit de protection intégré coupe le moteur de la machine pour des raisons de sécurité. Si cette situation se produit, arrêtez la machine et laissez les blocs-piles se refroidir quelques minutes avant de redémarrer.
IMPORTANT! Ne pressez plus la gâchette marche-arrêt si le coupe-circuit de protection a été activé. Ceci pourrait endommager les blocs-piles.
11. Utilisez uniquement des blocs-piles d'origine. L'utilisation d'autres blocs-piles présente un risque d'incendie et pourrait provoquer des blessures ou une explosion.
4. Maintenez hors de portée des enfants le chargeur de batteries, les blocs-piles et la machine sans cordon.
5. N'utilisez pas le chargeur de batteries qui est fourni pour charger d'autres outils ou machines sans cordon.
6. Les blocs-piles deviennent chauds après une utilisation prolongée. Laissez les blocs-piles se refroidir à la température ambiante avant de les insérer dans le chargeur pour les charger.
7. Ne chargez pas les batteries de façon excessive. Ne dépassez pas le temps maximal de charge. Ce temps de charge ne s'applique qu'aux batteries déchargées. L'insertion fréquente de blocs-piles chargés ou partiellement chargés provoquera une surcharge et endommagera les cellules. Ne laissez pas les batteries dans le chargeur pendant plusieurs jours consécutifs.
8. N'utilisez ou ne chargez jamais les batteries si vous soupçonnez qu'il y a plus de 12 mois qu'elles ont été chargées pour la dernière fois. Il est extrêmement probable que les blocs-piles soient déjà dangereusement endommagés (décharge jusqu'à épuisement).
9. Si vous chargez les batteries à une température inférieure à 5 °C, vous endommagez les produits chimiques des cellules, ce qui peut provoquer un incendie.
10. N'utilisez pas les batteries qui ont été exposées à la chaleur pendant leur charge, car les cellules de batteries peuvent avoir été dangereusement endommagées.
11. N'utilisez pas les batteries qui se sont bombées ou ont subi des déformations pendant le processus de charge, ni celles présentant d'autres symptômes atypiques (échappement de gaz, sifflement, fissures, etc.)
12. Ne déchargez jamais complètement les blocs-piles (le niveau maximal de décharge recommandé est de 80 %). La décharge complète des blocs-piles entraînera le vieillissement prématuré de leurs cellules.

Renseignements sur le chargeur et le processus de charge

1. Veuillez vérifier les données marquées sur la plaque signalétique du chargeur de batterie. Veillez à brancher le chargeur de batteries sur une source d'alimentation correspondant à la tension indiquée sur la plaque signalétique. Ne le branchez jamais sur une tension de secteur différente.
2. Protégez le chargeur de batteries et son cordon pour éviter de les endommager. Maintenez le chargeur et son cordon éloignés de la chaleur, de l'huile et des objets tranchants. Faites réparer sans délai les cordons endommagés par un technicien qualifié chez un revendeur Snow Joe® + Sun Joe® agréé ou appelez le service clientèle Snow Joe® + Sun Joe® au 1-866-SNOWJOE (1-866-766-9563).
3. Les fiches électriques doivent correspondre à la prise. N'apportez aucune modification, quelle qu'elle soit, à la fiche. N'utilisez pas de fiche d'adaptation avec les appareils mis à la terre. Des fiches non modifiées et des prises correspondantes réduiront le risque de secousse électrique.

Protection contre les influences environnementales

1. Portez des vêtements de travail adaptés. Portez des lunettes de sécurité.
2. Protégez votre machine sans cordon et le chargeur de batteries contre l'humidité et la pluie. L'humidité et la pluie peuvent endommager dangereusement les cellules.
3. N'utilisez pas la machine sans cordon ou le chargeur de batteries près de vapeurs ou de liquides inflammables.
4. Utilisez le chargeur de batteries et la machine sans cordon uniquement en milieu sec et à une température ambiante comprise entre 10 °C et 40 °C.
5. Ne conservez pas le chargeur de batteries dans les endroits où la température est susceptible d'être supérieure à 40,5 °C. Ne laissez surtout pas le chargeur de batteries dans une voiture qui stationne au soleil.

6. Protégez les batteries contre les surcharges. Les surcharges et l'exposition directe aux rayons du soleil entraînent une surchauffe des cellules et les endommagent. Ne chargez ou n'utilisez jamais de batteries qui ont surchauffé : au besoin, remplacez-les immédiatement.
7. Rangez le chargeur et votre machine sans cordon uniquement dans un endroit sec où la température ambiante est comprise entre 10 °C et 40 °C. Rangez votre bloc-piles au lithium-ion dans un endroit frais et sec à une température comprise entre 10 °C et 20 °C. Protégez les blocs-piles, le chargeur et la machine sans cordon contre l'humidité et les rayons du soleil directs. Rangez uniquement les batteries lorsqu'elles sont à charge complète.
8. Veillez à ce que les blocs-piles au lithium-ion ne gèlent pas. Les blocs-piles qui ont été entreposés à une température inférieure à 0 °C pendant plus de 60 minutes doivent être éliminés.
9. Lorsque vous manipulez les batteries, prenez garde aux décharges électrostatiques, car elles peuvent endommager le système de protection électronique et les cellules des batteries. Évitez de produire des charges électrostatiques et ne touchez jamais les pôles des batteries.

Consignes de sécurité supplémentaires

Consignes de sécurité pour les souffleuses à neige poussées

- **Lisez attentivement le manuel d'utilisation** : apprenez comment utiliser votre souffleuse à neige et ses limites, ainsi que les dangers potentiels spécifiques que présente cette machine. N'utilisez pas cette machine pour des travaux autres que ceux pour lesquels elle a été conçue. Le non-respect de ces précautions peut être à l'origine de défaillances mécaniques ou de graves dommages matériels ou corporels.
- **Inspection préliminaire de la machine** : inspectez méticuleusement la souffleuse à neige avant de l'utiliser. Assurez-vous que toutes les pièces sont bien attachées et posées correctement. Si vous remarquez quoi que ce soit d'anormal, n'utilisez pas la machine tant qu'elle n'a pas été réparée convenablement. Pour vous assurer que la machine fonctionne correctement, effectuez toujours un essai la première fois que vous utilisez la souffleuse à neige ou après avoir remplacé des pièces.
- **Inspection préliminaire de la zone de travail** : nettoyez la zone à déneiger avant chaque utilisation. Retirez tout ce qui pourrait être projeté par la souffleuse à neige ou qui pourrait se prendre dedans, par exemple des roches, des éclats de verre, des clous, des fils ou de la ficelle. Ne laissez ni personnes, ni enfants, ni animaux familiers s'approcher de la zone de travail.
- **Force excessive** : la souffleuse à neige a été conçue pour maintenir une certaine puissance, quel que soit l'état de la neige à déblayer, pour un niveau de sécurité et de rendement optimal. Ne la forcez pas; poussez-la en exerçant une force constante tout au long de l'utilisation.
- **Mauvais fonctionnement de l'interrupteur** : n'utilisez pas la souffleuse à neige si l'interrupteur ne la met pas en marche ou ne l'arrête pas. Toute machine électrique qui ne répond pas à l'interrupteur est dangereuse et doit être réparée.
- **Heurt accidentel** : si la souffleuse à neige heurte accidentellement quoi que ce soit, arrêtez-la d'abord et retirez les blocs-piles. Inspectez-la ensuite pour vérifier qu'elle n'est pas endommagée. Finalement, réparez ou remplacez toute pièce endommagée avant de redémarrer et d'utiliser la souffleuse à neige.
- **Sécurité de la goulotte d'éjection** : ne dirigez jamais la goulotte d'éjection vers l'utilisateur de la machine, des spectateurs, des véhicules ou des fenêtres. La neige rejetée et tout ce qui a été accidentellement ramassé et rejeté par la souffleuse à neige peuvent provoquer de graves dommages matériels et corporels. N'utilisez pas les mains pour déboucher la goulotte d'éjection. Arrêtez le moteur avant de retirer les débris.
- **Portée à bout de bras** : il est dangereux de porter à bout de bras la souffleuse à neige.
- **Fonctionnement anormal** : si vous trouvez que la souffleuse à neige ne fonctionne pas correctement ou si vous percevez des vibrations ou des sons anormaux en provenance du moteur, arrêtez immédiatement la machine, retirez les blocs-piles et communiquez avec un revendeur Snow Joe® + Sun Joe® agréé ou appelez le service clientèle Snow Joe® + Sun Joe® au 1 866-SNOWJOE (1-866-766-9563) pour de l'aide.
- **Lutte contre le bruit** : lorsque vous utilisez la souffleuse à neige, respectez les lois et réglementations locales antibruit ainsi que celles concernant la protection de l'environnement. Pour éviter toute agression sonore, vous devez soigneusement choisir l'heure appropriée à laquelle utiliser la machine et tenir compte des conditions environnementales.
- **Une fois le travail effectué** : retirez les blocs-piles de la souffleuse à neige si vous ne l'utilisez plus, si vous changez d'accessoire et avant d'effectuer tout entretien de la machine.
- **Remisage en sécurité** : entre chaque utilisation, remisez la souffleuse à neige à l'intérieur, dans un endroit sec. Maintenez la machine sous clé dans un endroit où ne peuvent accéder ni les enfants ni les utilisateurs non autorisés. Ne remisez jamais la souffleuse à neige si les blocs-piles sont encore dedans. Ceci pourrait causer des dommages matériels et corporels.

- **Entretien pour la sécurité et la longévité** : vérifiez si les pièces en mouvement sont correctement alignées et ne grippent pas, si des pièces sont cassées et toutes les autres conditions pouvant affecter l'utilisation de la machine. Réparez ou remplacez les pièces endommagées avant d'utiliser à nouveau la machine. Utilisez uniquement les pièces de rechange prévues pour votre modèle. Lorsque vous remplacez des pièces, vous devez observer strictement les instructions et les procédures décrites dans ce manuel. Des précautions spéciales doivent être prises pour toutes les pièces en caoutchouc dans la mesure où ces pièces peuvent surcharger le moteur et réduire sa puissance mécanique si elles sont endommagées.
- **Pièces tournantes** : ne mettez ni les mains ni les pieds sous les pièces tournantes ou à proximité. Tenez-vous en permanence à l'écart de l'ouverture d'éjection.
- **Dangers cachés** : faites preuve d'une extrême prudence lorsque vous utilisez la machine ou lui faites traverser des chemins, des allées ou des routes de gravier. Soyez à l'affût des dangers cachés et de la circulation.
- Faites preuve d'une extrême prudence lorsque vous utilisez la machine sur des terrains pentus. Ne déplacez jamais la souffleuse à neige à une vitesse de transport élevée sur un revêtement glissant. Regardez derrière vous et faites preuve de prudence lors des marches arrière.
- N'utilisez jamais la souffleuse à neige sans bonne visibilité ou éclairage suffisant. Assurez toujours vos pas et tenez fermement le guidon. Marchez; ne courez pas.
- Ne surchargez pas la capacité de la machine en essayant de déblayer trop rapidement la neige.
- N'autorisez jamais les enfants à utiliser la machine. Ne laissez jamais d'adultes utiliser la machine sans formation adéquate.
- Réglez la hauteur du carter du collecteur pour déblayer les revêtements en gravier ou en pierre concassée.
- Afin de vous protéger les yeux des corps étrangers pouvant être rejetés par la machine, portez des lunettes de sécurité ou des protecteurs oculaires pendant son utilisation, un réglage ou une réparation.

Sécurité électrique

- **Évitez les démarrages accidentels** : avant d'insérer les blocs-piles dans la machine, assurez-vous que le bouton-poussoir de sécurité et la gâchette marche-arrêt sont à la position d'arrêt. Ne transportez pas la souffleuse à neige si le bouton-poussoir de sécurité et la gâchette marche-arrêt ne sont pas à la position d'arrêt.

Déblocage d'une goulotte d'éjection bouchée

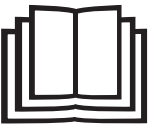














Le contact des mains avec le rotor à l'intérieur de la goulotte d'éjection est la cause la plus commune des blessures associées aux souffleuses à neige. N'utilisez jamais les mains pour déboucher la goulotte d'éjection.

Pour nettoyer la goulotte :

- i) **COUPEZ LE MOTEUR!**
- ii) Patientez dix secondes pour vous assurer que les lames du rotor se sont complètement arrêtées.
- iii) Utilisez toujours un outil de curage et non les mains.

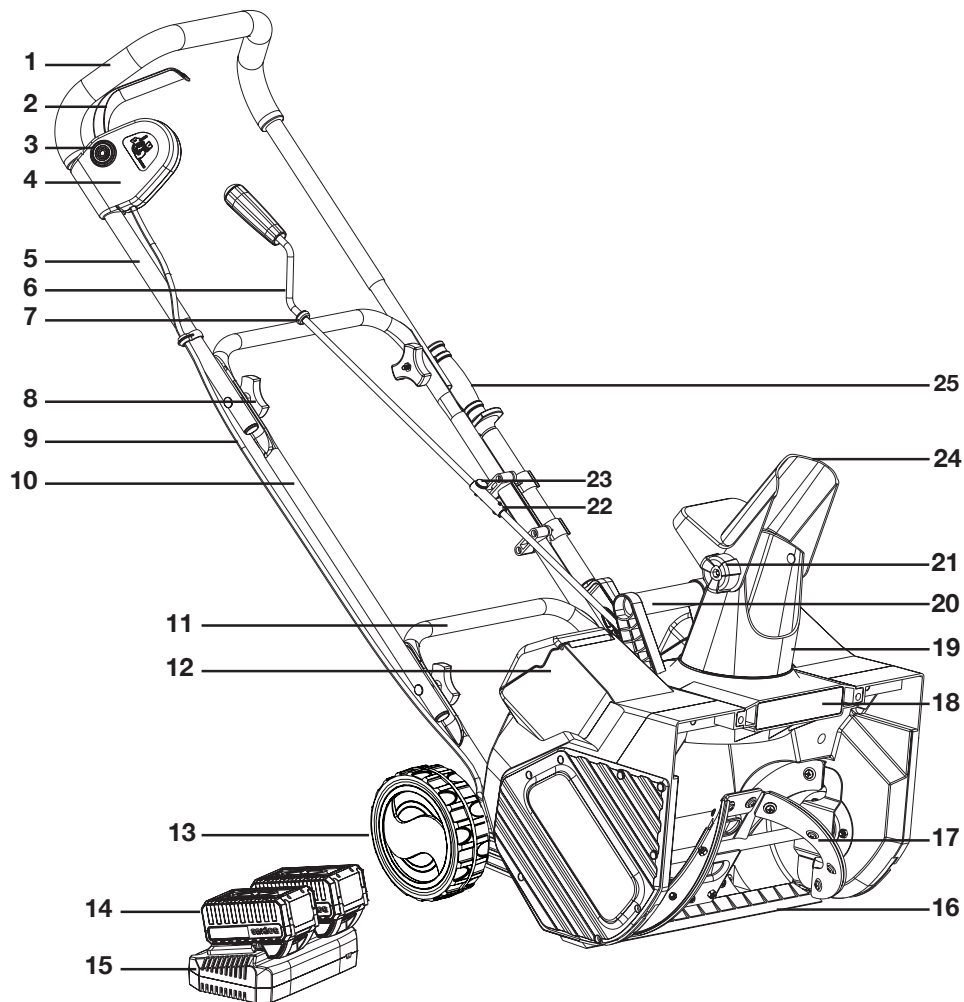
Symboles de sécurité

Le tableau suivant décrit et explique les symboles de sécurité pouvant être marqués sur cette machine. Avant d'essayer de procéder à son assemblage et de l'utiliser, lisez, comprenez et suivez toutes les instructions sur cette machine.

Symboles	Descriptions	Symboles	Descriptions
	LIRE LE OU LES MANUELS D'UTILISATION – Lire, comprendre et suivre toutes les instructions du ou des manuels avant d'essayer d'assembler et d'utiliser la machine.		AVERTISSEMENT! Ne pas utiliser ou remettre la machine sous la pluie ou par forte humidité. La maintenir au sec.
	ALERTE DE SÉCURITÉ – Indique une précaution, un avertissement ou un danger.		DANGER! Danger de coupure/mutilation – Maintenir les pieds éloignés de la tarière rotative.
	Porter des protecteurs d'oreille. Porter des lunettes de protection. Porter un masque respiratoire.		MISE EN GARDE! Attention aux pierres et autres objets pouvant être projetés par la machine.
	Pour éviter de se blesser, maintenir les mains, les pieds et les vêtements éloignés de la tarière rotative.		La pièce tournante continuera de tourner plusieurs secondes après avoir arrêté la machine.
	Porter des gants de protection et des chaussures à semelle antidérapante pour utiliser la machine et manipuler les débris.		Tous les spectateurs et les enfants doivent être maintenus à une distance de sécurité (au moins 10 m) de la zone de travail.
	Ne pas utiliser les mains pour déboucher la goulotte.	 	DANGER! Danger de coupure/mutilation – Maintenir les mains éloignées de la tarière rotative. Ne pas utiliser les mains pour déboucher le carter de tarière. Arrêter le moteur avant de retirer des débris.
	AVERTISSEMENT! Toujours arrêter la machine avant d'effectuer une inspection, un nettoyage ou un entretien.		Utilisation uniquement à l'intérieur. Utiliser uniquement le chargeur de batteries à l'intérieur.

Apprenez à mieux connaître votre souffleuse à neige sans cordon

Avant d'utiliser votre souffleuse à neige sans cordon, lisez attentivement le manuel d'utilisation et les consignes de sécurité. Comparez l'illustration ci-dessous avec votre machine afin de vous familiariser avec l'emplacement des différents réglages et commandes. Conservez ce manuel pour pouvoir le consulter dans le futur.



- | | | |
|-----------------------------------|---|----------------------------------|
| 1. Guidon | 10. Cadre intermédiaire | 17. Tarière |
| 2. Gâchette marche-arrêt | 11. Cadre inférieur | 18. Phare à DEL |
| 3. Bouton-poussoir de sécurité | 12. Compartiment à batterie (2) | 19. Goulotte d'éjection |
| 4. Boîtier d'interrupteurs | 13. Roue (2) | 20. Poignée auxiliaire |
| 5. Cadre supérieur | 14. Batterie au lithium-ion iON+ 24V (24VBAT) présentant la technologie exclusive EcoSharp® (2) | 21. Bouton de déflecteur |
| 6. Tige supérieure de manivelle | 15. Double chargeur au lithium-ion iON+ 24 V (24VCHRG-DPC) | 22. Raccord de tige de manivelle |
| 7. Bague de caoutchouc | | 23. Vis de serrage |
| 8. Bouton et boulon de guidon (4) | | 24. Déflecteur de goulotte |
| 9. Cordon | 16. Lame de raclage | 25. Outil de curage |

Données techniques

Moteur	1 200 W, sans balais
Tension max. de la batterie*	48 VCC (2 bloc-piles de 24 V)
Capacité des batteries	4,0 Ah
Entrée du chargeur	120 VCA, 60 Hz, 160 W
Sortie du chargeur	26 VCC, 2 x 2,2 A
Temps de charge	1 h 50 min
Régime à vide	2 500 tr/min
Tarière	4 lames d'acier à chants en caoutchouc
Largeur de déneigement	46 cm
Profondeur de tranchée de neige	25,4 cm
Distance max. d'éjection	6 m
Type de souffleuse.....	Mono-étagée
Contrôle du jet de neige	Goulotte auto-pivotante 180°
Phare à DEL	2 W
Dimension des pneus	16,5 cm
Poids neto	17.7 kg

*Génère 48 V max. grâce à deux batteries au lithium-ion de 24 V. Tension initiale à vide; grimpe à 24 volts une fois à charge complète; la tension nominale sous charge typique est de 21,6 volts.

Déballage

Contenu de la caisse :

- Souffleuse à neige sans cordon
 - Bouton de raccord et boulon (4)
 - Tige supérieure de manivelle (assemblée)
 - Outil de curage (assemblé)
 - Batterie au lithium-ion iON+ 24V (2)
 - Double chargeur au lithium-ion iON+ 24V
 - Manuel et carte d'enregistrement
1. Retirez soigneusement la souffleuse à neige de la caisse et inspectez-la pour vérifier que tous les éléments énumérés ci-dessus sont fournis.
 2. Inspectez soigneusement le contenu afin de vous assurer qu'aucun élément ne s'est cassé ou n'a été endommagé pendant le transport. Si vous constatez que des pièces manquent ou sont endommagées, NE PAS retourner la caisse au magasin. Veuillez appeler le service clientèle Snow Joe® + Sun Joe® au 1-866-SNOWJOE (1-866-766-9563).

REMARQUE : ne jetez pas la caisse d'expédition et l'emballage tant que vous n'êtes pas prêt à utiliser la souffleuse à neige sans cordon. L'emballage est fabriqué dans des matériaux recyclables. Éliminez ces matériaux de façon appropriée et conformément à la réglementation ou conservez l'emballage pour le remisage de longue durée de la machine.

IMPORTANT! La machine et son emballage ne sont pas des jouets. Ne laissez pas les enfants jouer avec les sacs en plastique, les feuilles métalliques ou les petites pièces. Ces éléments peuvent être avalés et risquent de provoquer une suffocation!

Utilisation des blocs-piles





La machine est alimentée par deux batteries au lithium-ion. Les blocs-piles sont complètement hermétiques et ne nécessitent absolument aucun entretien.

⚠ AVERTISSEMENT! La souffleuse à neige sans cordon peut uniquement être alimentée par les deux batteries ensemble. Une seule batterie ne peut pas fournir suffisamment d'énergie à la machine. S'assurer d'utiliser deux batteries de même tension et de même capacité. L'utilisation de la machine avec des batteries de différentes capacités endommagera les batteries.

Témoins de charge de batterie

Les blocs-piles sont équipés d'un bouton-poussoir pour vérifier le niveau de charge. Appuyez simplement sur le bouton-poussoir pour lire le niveau de charge de la batterie à l'aide des témoins de charge :

- Les témoins de charge sont tous les trois allumés : le niveau de charge de batterie est élevé.
- Deux témoins de charge sont allumés : le niveau de charge de batterie diminue. Arrêtez votre travail dès que possible.
- Un témoin de charge est allumé : la batterie est épuisée. Arrêtez IMMÉDIATEMENT votre travail et chargez la batterie. Sinon, la longévité de la batterie s'en trouvera considérablement réduite.

Témoins	Indications de charge
	Bouton de niveau de charge
	La batterie est à 30 % de sa capacité et nécessite d'être chargée
	La batterie est à 60 % de sa capacité et nécessite d'être chargée bientôt
	La batterie est à charge complète

REMARQUE : si le bouton de niveau de charge ne semble pas fonctionner, placez au besoin le bloc-piles dans le chargeur et chargez.

REMARQUE : immédiatement après avoir utilisé les blocs-piles, le bouton de niveau de charge peut afficher une charge plus faible que si la vérification avait eu lieu quelques minutes plus tard. Les cellules des batteries « récupèrent » une partie de leur charge après une période de repos.

Utilisation du chargeur

⚠ AVERTISSEMENT! Charger uniquement les blocs-piles au lithium-ion iON+ 24V dans leur chargeur au lithium-ion iON+ 24V compatible. Les autres types de batteries peuvent causer des dommages corporels et matériels.

Pour réduire le risque de secousse électrique, ne laissez pas d'eau couler dans la fiche du chargeur CA/CC.

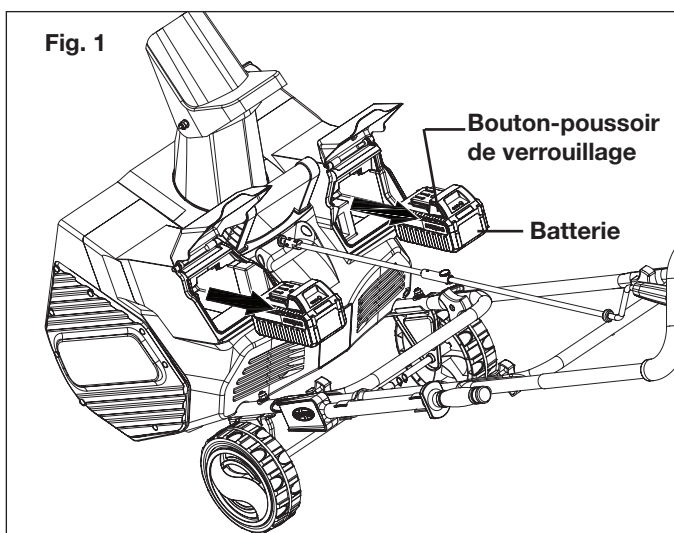
Quand charger les batteries au lithium-ion iON+ 24VBAT

REMARQUE : les blocs-piles au lithium-ion iON+ 24VBAT ne présentent pas « d'effet mémoire » quand ils sont chargés après une simple décharge partielle. C'est pourquoi il n'est pas nécessaire d'épuiser les blocs-piles avant d'insérer la fiche du chargeur.

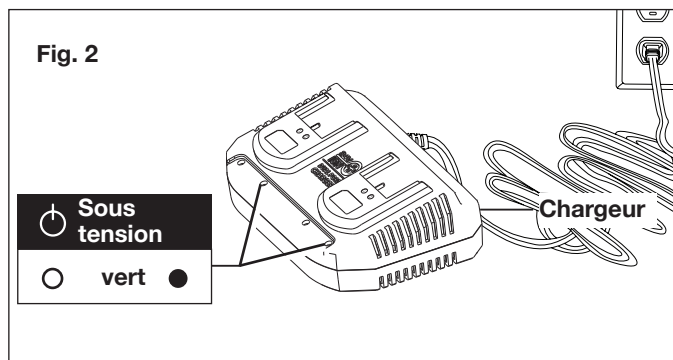
- Utilisez les témoins indicateurs de charge pour déterminer quand charger vos blocs-piles au lithium-ion iON+ 24VBAT.
- Vous pouvez « compléter » la charge des blocs-piles avant de démarrer un gros travail ou après une longue journée d'utilisation.

Comment charger les batteries

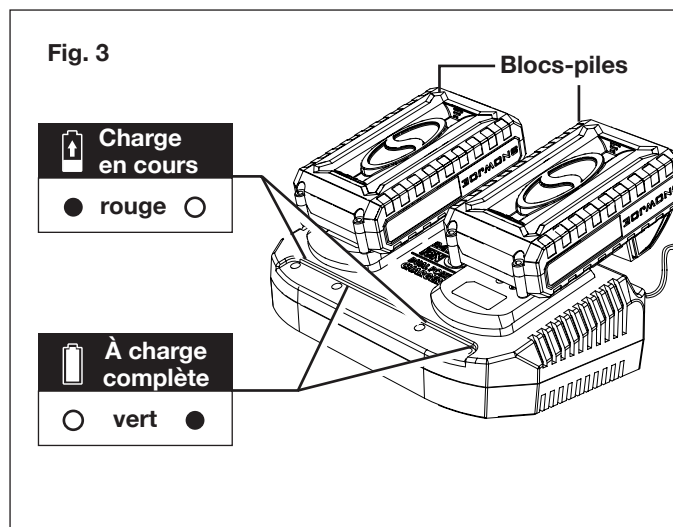
1. Appuyez sur le bouton-poussoir de verrouillage de chaque batterie pour les sortir de la machine en les tirant (Fig. 1).



2. Vérifiez que la tension de secteur est la même que celle marquée sur la plaque signalétique du chargeur de batteries. Insérez ensuite la fiche du chargeur dans une prise murale. Lorsque vous branchez le chargeur, deux témoins s'allument en vert sans clignoter (Fig. 2).



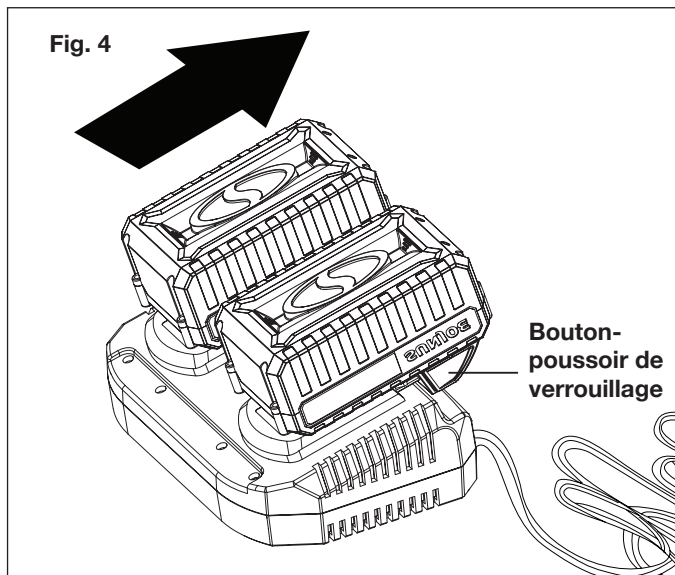
3. Insérez les blocs-piles dans le chargeur en les faisant glisser jusqu'à ce qu'elles se mettent en place en se verrouillant. Lorsque vous insérez les batteries dans le chargeur, les deux témoins verts s'éteignent et les témoins rouges s'allument pour indiquer que la charge des batteries est en cours (Fig. 3).



4. Lorsque les témoins du chargeur passent au vert, les batteries sont à charge complète (Fig. 3).

REMARQUE : un bloc-piles complètement déchargé dont la température interne est dans une plage normale se chargera complètement en 1 h 50 min (entre 0 et 45 °C).

5. Si les témoins indicateurs de charge ne s'allument pas du tout, vérifiez que les blocs-piles reposent bien dans leur compartiment. Retirez les blocs-piles et réinsérez-les. Si le problème persiste, communiquez avec un revendeur Snow Joe® + Sun Joe® agréé ou appelez le service clientèle Snow Joe® + Sun Joe® au 1 866-SNOWJOE (1 866-766-9563) pour de l'aide.
6. Une fois que les blocs-piles sont à charge complète, retirez-les du chargeur en appuyant sur le bouton-poussoir de verrouillage de chaque bloc-piles et en les faisant glisser vers l'arrière pour les dégager du chargeur (Fig. 4).



7. En rechargeant les batteries au moment opportun, vous prolongerez leur durée de vie. Vous devez recharger les blocs-piles lorsque vous remarquez une chute de puissance de la machine.

IMPORTANT! Ne laissez jamais les blocs-piles se décharger complètement, car ceci les endommagerait irrémédiablement.

Charger un bloc-piles chaud ou froid

Les témoins indicateurs verts sur la base du chargeur indiquent que la température des blocs-piles est en dehors de la plage normale pour se charger.

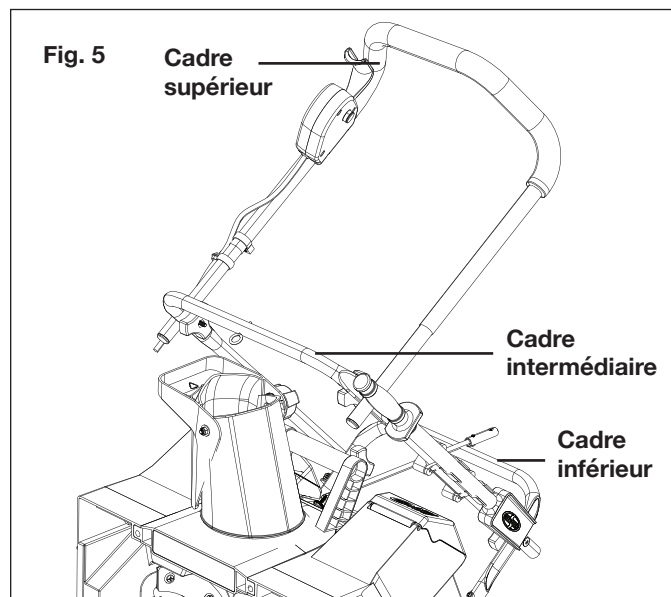
Une fois que la température des blocs-piles est redevenue acceptable, ils se chargent normalement et le témoin rouge ne clignotera plus. Les blocs-piles chauds ou froids prennent davantage de temps pour se charger.

Statut de charge lithium-ion			
Température du bloc-piles	Témoins sur la base du chargeur	Témoins sur le bloc-piles	Statut de charge en cours
Trop chaude	Vert	Clignotant ensemble	Aucune charge en cours
Plage normale	Rouge	Clignotant l'un après l'autre	Charge en cours normale
Trop froide	Vert	Clignotant ensemble	Aucune charge en cours

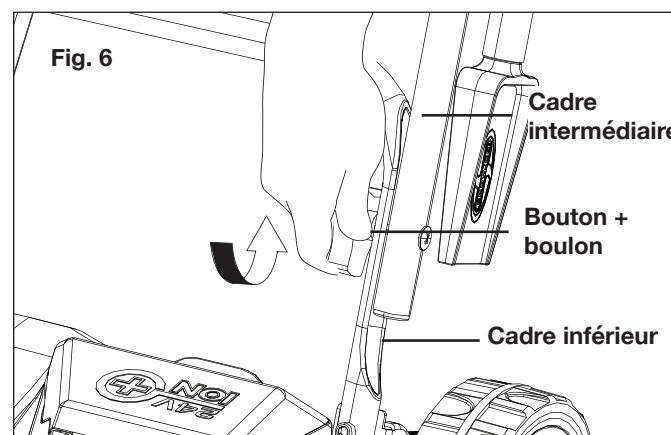
Assemblage

Assemblage du guidon

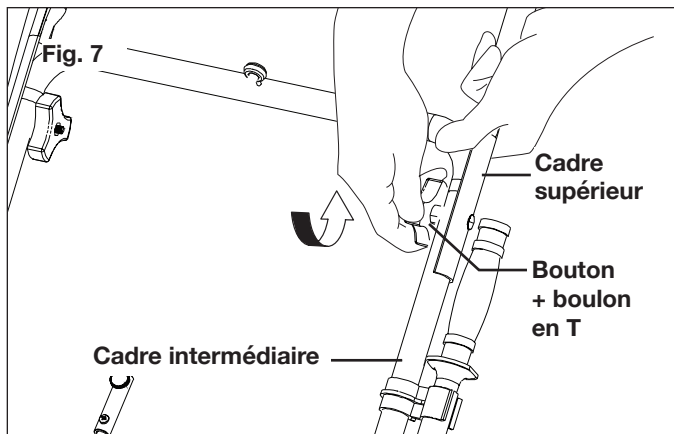
1. Pour faciliter l'assemblage de la souffleuse à neige, la plupart de ses pièces sont déjà assemblées à l'expédition. Pour achever le montage du guidon, tirez simplement vers l'arrière le cadre intermédiaire et tirez le cadre supérieur vers le haut (Fig. 5).



2. Attachez ensemble le cadre intermédiaire et le cadre inférieur en attachant de chaque côté le premier jeu de boutons et de boulons (Fig. 6).

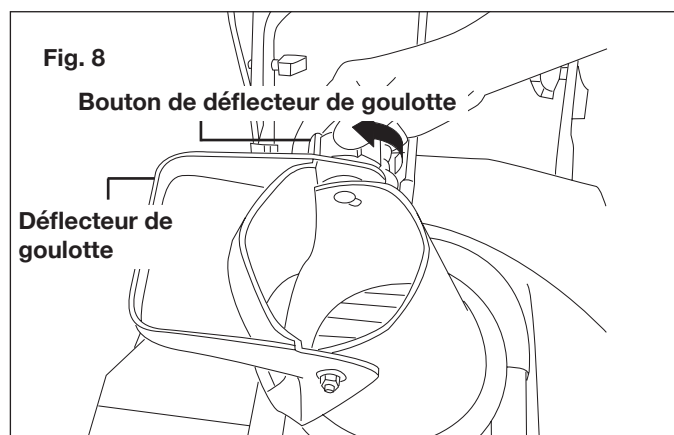


3. Attachez ensemble le cadre supérieur et le cadre intermédiaire en attachant de chaque côté le second jeu de boutons et de boulons (Fig. 7).

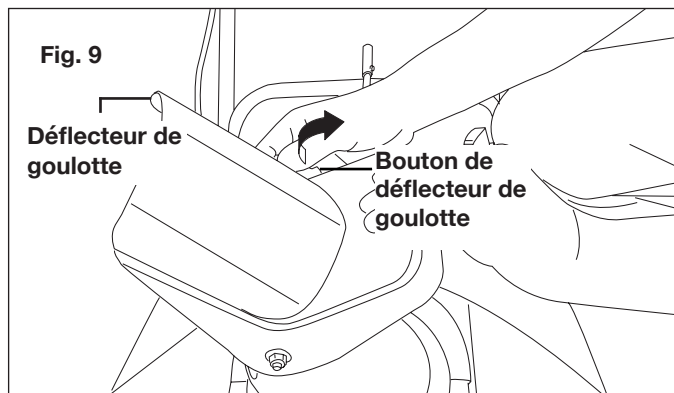


Assemblage de la goulotte d'éjection

1. Desserrez le bouton du déflecteur de goulotte pour lever le déflecteur de goulotte (Fig. 8).



2. Relevez le déflecteur de goulotte et attachez-le solidement à la goulotte d'éjection (Fig. 9).

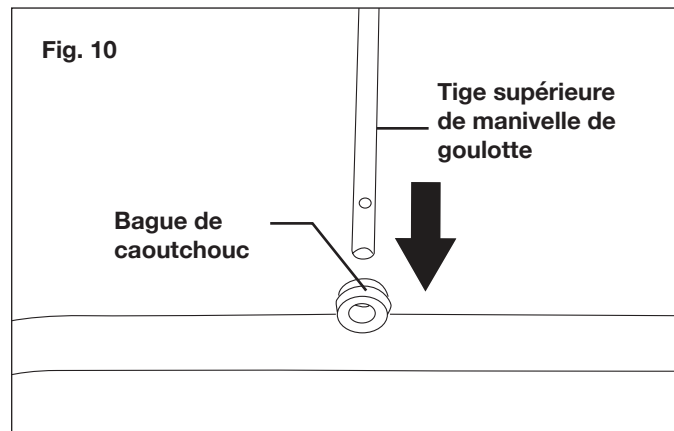


3. Levez ou abaissez le déflecteur de goulotte selon la hauteur souhaitée du jet de neige et serrez le bouton du déflecteur de goulotte (Fig. 9).

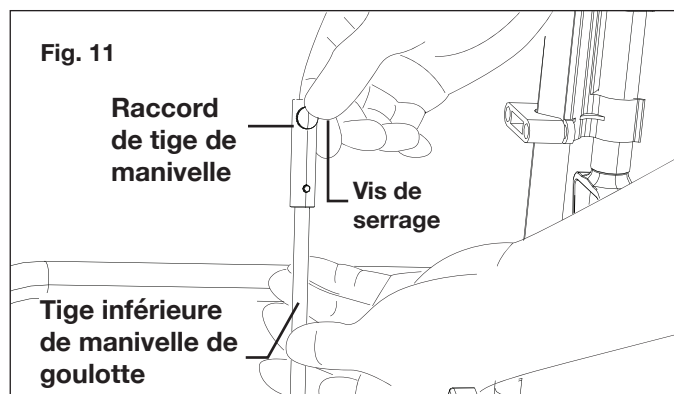
REMARQUE : ne serrez pas trop le bouton du déflecteur de goulotte.

Assemblage de la manivelle de commande de goulotte

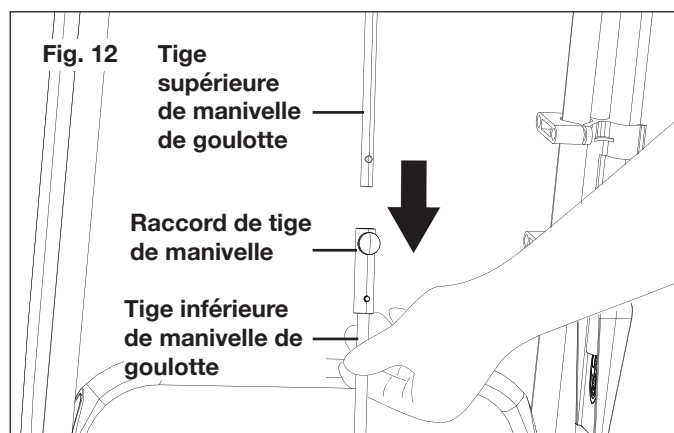
1. Faites glisser la tige supérieure de manivelle de goulotte à travers la bague de caoutchouc située sur le cadre intermédiaire (Fig. 10).



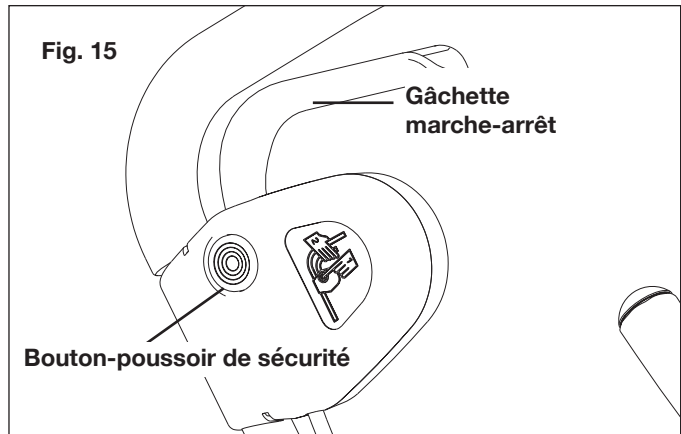
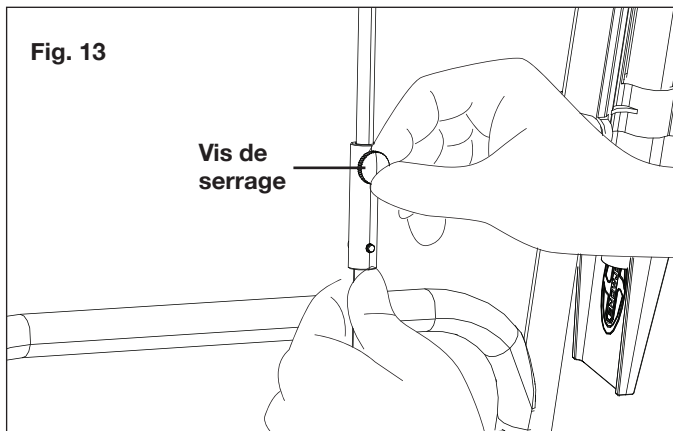
2. Desserrez à la main la vis sur la tige inférieure de manivelle de goulotte (Fig. 11).



3. Faites glisser la tige supérieure de manivelle de goulotte dans la tige inférieure de celle-ci (Fig. 12).



4. Alignez les trous de vis et serrez la vis à la main (Fig. 13).



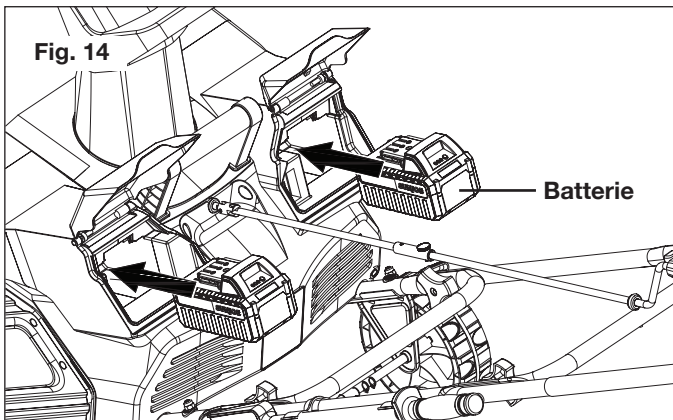
3. Pour arrêter la machine, relâchez la gâchette marche-arrêt.

Utilisation

⚠️ AVERTISSEMENT! Maintenir la zone à déneiger exempte de pierres, jouets ou autres corps étrangers que les lames rotatives pourraient ramasser et rejeter. Ces corps étrangers pourraient être couverts de neige et passer facilement inaperçus. Par conséquent, s'assurer de bien inspecter la zone de travail avant de commencer à déblayer.

Démarrage et arrêt

1. Ouvrez le couvercle des compartiments à batterie et faites glisser chaque batterie vers le bas jusqu'à ce qu'elle s'encliquette pour se mettre en place en se verrouillant (Fig. 14).



2. Tout en maintenant enfoncé le bouton-poussoir de sécurité, tirez la gâchette marche/arrêt vers vous. Une fois que la machine a démarré, relâchez le bouton-poussoir de sécurité et commencez à déneiger (Fig. 15). La machine peut uniquement être démarrée en appuyant d'abord sur le bouton-poussoir de sécurité, puis en pressant la gâchette marche-arrêt. L'opération inverse ne démarrera pas la machine.

Conseils d'utilisation

⚠️ AVERTISSEMENT! Des corps étrangers, par exemple des roches, des éclats de verre, des clous, des fils ou de la ficelle peuvent être ramassés et projetés par la souffleuse à neige en provoquant de graves blessures. Avant d'utiliser la souffleuse à neige, retirer tous les corps étrangers de la zone à déneiger.

1. Débarrassez la zone de travail de tout ce qui pourrait être rejeté par les lames du rotor. Sachant que certains corps étrangers peuvent être cachés sous la neige, effectuez une inspection minutieuse de la zone de travail. Si la souffleuse à neige heurte un obstacle ou ramasse quoi que ce soit pendant son utilisation, arrêtez la souffleuse à neige, retirez les batteries, retirez ce qui fait obstacle et inspectez la machine pour vérifier qu'elle n'est pas endommagée. Réparez ou remplacez toute pièce endommagée avant de redémarrer et d'utiliser à nouveau la machine.
2. Maintenez les enfants, les animaux familiers et les spectateurs éloignés de la zone de travail. Souvenez-vous que le volume sonore normal de la machine en marche peut vous empêcher d'entendre facilement des personnes s'approchant.
3. Lorsque vous déplacez la souffleuse à neige, utilisez les roues sur un côté comme point de pivotement. Faites légèrement basculer la souffleuse à neige sur cet axe pour la faire avancer ou reculer.
4. Commencez par déblayer en vous en éloignant et en projetant la neige dans un mouvement de va-et-vient. Pour déneiger dans la direction opposée, faites pivoter la souffleuse à neige sur ses roues. Assurez-vous de faire chevaucher les tranchées dans la neige.
5. Notez la direction du vent. Au besoin, déplacez-vous dans la même direction que le vent pour éviter que la neige soit projetée contre le vent (dans votre visage et sur la tranchée venant juste d'être ouverte).
6. Poussez la souffleuse à neige sans force excessive. Vous devez pousser la machine doucement et régulièrement en respectant sa capacité d'éjection.
7. N'exercez pas une force humaine supplémentaire sur le moteur, car il pourrait être endommagé.

8. Certaines pièces de la souffleuse à neige peuvent geler sous des températures extrêmes. N'essayez pas d'utiliser la souffleuse à neige si des pièces sont gelées. Si des pièces gèlent pendant que vous utilisez la souffleuse à neige, arrêtez la machine, retirez les batteries et inspectez les pièces gelées. Faites en sorte que toutes les pièces se déplacent librement avant de redémarrer et d'utiliser à nouveau la souffleuse à neige. Ne forcez pas les commandes lorsqu'elles sont gelées.
9. Lorsque vous utilisez la machine sur des pierres, du gravier ou une surface non revêtue, évitez de projeter des gravillons en même temps que la neige en appuyant sur la poignée pour lever la lame de raclage sous la machine et la faire passer au-dessus des pierres ou du gravier.

Phare

La souffleuse à neige est équipée d'un phare qui peut être utilisé dans l'obscurité pour éclairer la neige à débayer devant la machine. Une fois la machine démarrée, le phare s'allumera en enfonçant le bouton-poussoir de sécurité et en tirant la gâchette marche/arrêt (Fig. 15).

REMARQUE : le phare s'allume uniquement quand la souffleuse à neige est en marche. Le phare s'éteint automatiquement au bout de 30 secondes une fois que le moteur de la machine est coupé.

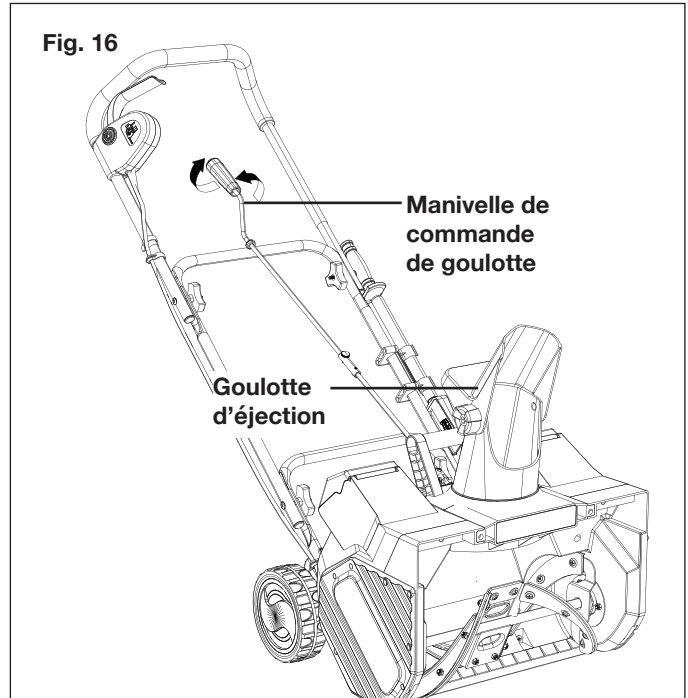
Changement de l'orientation et de la hauteur du jet de neige

AVERTISSEMENT

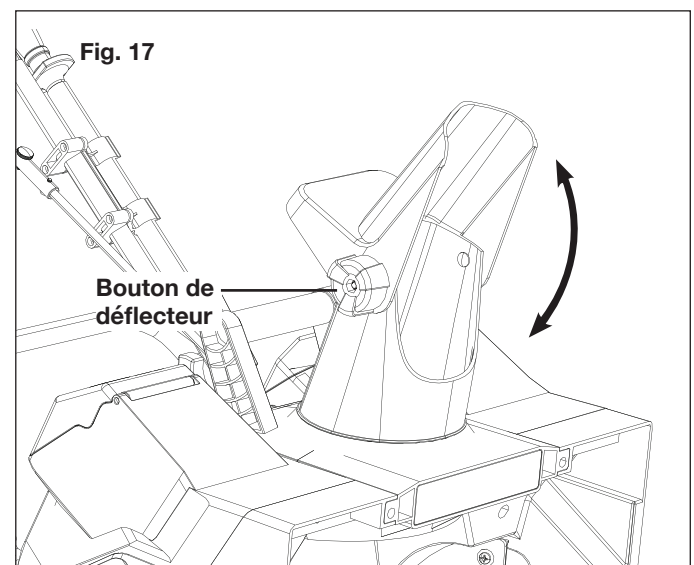
Ne jamais diriger la goulotte d'éjection vers l'utilisateur de la machine, des spectateurs, des véhicules ou des fenêtres à proximité. Les projections de neige et de tout ce qui a été accidentellement ramassé par la souffleuse à neige peuvent provoquer de graves dommages matériels et corporels.

Toujours orienter la goulotte d'éjection dans la direction opposée où vous êtes, où se trouvent des spectateurs, des véhicules ou des fenêtres.

1. La goulotte d'éjection peut pivoter à 180 degrés en tournant la manivelle de commande de goulotte. Faites tourner la manivelle de commande de goulotte dans le sens horaire pour orienter la goulotte vers la gauche et dans le sens antihoraire pour orienter la goulotte vers la droite (Fig. 16).



2. Le déflecteur de goulotte sur la partie supérieure de la goulotte d'éjection permet de contrôler la hauteur du jet de neige. Desserrez les boutons pour lever ou abaisser le déflecteur et obtenir la hauteur de jet de neige que vous souhaitez. Serrez les boutons pour attacher solidement le déflecteur (Fig. 17).





AVERTISSEMENT



S'assurer que le déflecteur de goulotte s'enclenche complètement et se verrouille sur la goulotte d'éjection. Tout espace entre la goulotte d'éjection et le déflecteur de goulotte peut permettre à des corps étrangers d'être ramassés par la souffleuse à neige et projetés dans la direction de son utilisateur en provoquant de graves blessures.

- **N'avancez pas le déflecteur de goulotte trop loin vers l'avant, un espace pouvant se créer entre le déflecteur et la goulotte d'éjection.**
- **Ne serrez pas trop le bouton sur le déflecteur de goulotte.**

Entretien

Pour commander des pièces de rechange ou des accessoires d'origine pour la souffleuse à neige sans cordon Snow Joe® 24V-X2-SB18, veuillez vous rendre sur le site www.snowjoe.com ou communiquer avec le service clientèle Snow Joe® + Sun Joe® au 1-866-SNOWJOE (1-866-766-9563).

⚠ AVERTISSEMENT! S'assurer de fermer l'interrupteur et de retirer les batteries avant de procéder à toute tâche d'entretien sur la souffleuse à neige.

Lubrification à vie (moteur et tarière)

Il n'est pas nécessaire de lubrifier la machine, ce qui pourrait l'endommager. La souffleuse à neige est lubrifiée en usine avant son expédition pour toute sa durée de vie.

Conseils d'entretien d'ordre général

1. N'essayez pas de réparer la machine à moins d'avoir l'outillage adéquat et les bonnes instructions pour démonter et réparer la machine.
2. Inspectez les boulons et les vis à intervalles réguliers et vérifiez qu'ils sont bien serrés pour que le matériel puisse fonctionner en toute sécurité.
3. Après chaque séance de déneigement, faites tourner la souffleuse à neige pendant quelques minutes pour empêcher le collecteur et le rotor de geler. Coupez le moteur, attendez que toutes les pièces en rotation s'arrêtent complètement et essuyez la glace et la neige résiduelles qui se sont déposées dessus. Faites pivoter plusieurs fois le déflecteur de goulotte à l'aide de la manivelle pour retirer la neige qui pourrait s'être accumulée dessus.

Entretien approprié pour les batteries et le chargeur

⚠ AVERTISSEMENT! Pour réduire le risque de se blesser, toujours débrancher le chargeur et retirer les blocs-piles du chargeur avant d'effectuer toute tâche d'entretien. Ne jamais démonter les blocs-piles ou le chargeur. Pour toutes les réparations, communiquer avec un revendeur Snow Joe® + Sun Joe® ou le service clientèle Snow Joe® + Sun Joe®.

1. Pour réduire le risque de vous blesser, ne plongez jamais les blocs-piles ou le chargeur dans un liquide et ne laissez jamais de liquide pénétrer à l'intérieur de ces composants.
2. Nettoyez la poussière et les débris des ouvertures de ventilation du chargeur et des contacts électriques en soufflant dessus de l'air comprimé.
3. Pour nettoyer les blocs-piles et le chargeur, utilisez uniquement un savon doux sur un chiffon mouillé, en le tenant à l'écart de tous les contacts électriques. Certains agents de nettoyage ou solvants peuvent attaquer les pièces en plastique ou isolées. Parmi ceux-ci figurent l'essence, l'essence de térébenthine, les diluants à peinture-laque, les diluants pour peintures, les solvants de nettoyage chlorés, l'ammoniac et les détergents ménagers contenant de l'ammoniac. N'utilisez jamais de solvants inflammables ou combustibles autour de blocs-piles, de chargeurs de batterie, de machines ou d'outils.
4. Le chargeur de batteries au lithium-ion iON+ 24V ne comporte aucune pièce réparable par l'utilisateur.

Entretien et remisage

1. Pour empêcher la tarière de geler, faites tourner la machine quelques minutes après avoir déblayé de la neige.
2. Examinez minutieusement la souffleuse à neige sans cordon pour vérifier qu'il n'y a pas de pièces usées, desserrées ou endommagées. Si vous devez faire réparer ou remplacer une pièce, communiquez avec votre revendeur Snow Joe® + Sun Joe® ou appelez le service à la clientèle Snow Joe® + Sun Joe® au 1-866-SNOWJOE (1-866-766-9563) pour de l'aide.
3. Nettoyez la souffleuse à neige avant de la remiser ou de la transporter. Veillez à ce que la machine ne présente aucun danger potentiel avant de la transporter.
4. Avant de la remiser, retirez les batteries et la clé de sécurité de la souffleuse à neige sans cordon.
5. Remisez la souffleuse à neige sans cordon à l'intérieur, dans un endroit sec, sous clé et hors de portée des enfants, et ce afin d'éviter toute utilisation non autorisée de la machine ou de l'endommager.
6. Au besoin, maintenez visibles les étiquettes de sécurité et d'instructions.

- Si la souffleuse à neige doit être remise pendant une période prolongée, pour des conseils utiles, consultez toujours la section Rangement hors-saison des batteries et du chargeur.

Rangement hors-saison des batteries et du chargeur

- N'exposez pas les blocs-piles ou le chargeur à l'eau, à la pluie ou à tout ce qui pourrait les rendre humides. Le chargeur et les blocs-piles pourraient être endommagés de façon permanente. N'utilisez ni huile ni solvants pour nettoyer ou lubrifier les blocs-piles, et ce dans la mesure où le boîtier en plastique pourrait devenir cassant, se fissurer et risquer de blesser quelqu'un.
- Rangez les blocs-piles et le chargeur à température ambiante et dans un endroit non humide. Ne les rangez pas dans un endroit humide où les bornes pourraient se corroder. Comme pour les autres types de blocs-piles, une perte de capacité permanente peut se produire si les blocs-piles sont rangés pendant de longues périodes à une température élevée (supérieure à 49 °C).
- Les blocs-piles au lithium-ion iON+ 24V restent chargés plus longtemps que les autres types de blocs-piles lorsqu'ils sont rangés. En règle générale, il est préférable de débrancher le chargeur de batteries et de retirer les blocs-piles lorsque vous ne les utilisez pas. Hors-saison, avant de les ranger et pour maintenir leur rendement optimal, rechargez les blocs-piles tous les six mois jusqu'à 50 % de leur capacité (deux témoins allumés).

Mise en garde concernant les batteries et informations sur leur élimination

Éliminez toujours les blocs-piles en vous conformant aux réglementations fédérales, provinciales ou territoriales et locales. Communiquez avec un organisme de recyclage de votre région pour obtenir la liste des sites de recyclage.

⚠ MISE EN GARDE! Même déchargés, les blocs-piles emmagasinent une certaine énergie. Avant de les éliminer, utiliser du ruban isolant pour couvrir les bornes et empêcher ainsi les blocs-piles de provoquer un court-circuit, ce qui pourrait causer un incendie ou une explosion.

⚠ AVERTISSEMENT! Pour réduire le risque de blessure ou d'explosion, ne jamais brûler ou incinérer les blocs-piles, même s'ils sont endommagés, à plat ou complètement déchargés. En brûlant, des vapeurs et des matières toxiques sont émises dans l'atmosphère environnante.

- Les batteries varient selon le type d'outils ou de machines. Consultez le manuel pour des renseignements spécifiques.
- Insérez uniquement des blocs-piles neufs de même type dans votre machine.

- Si, en les insérant, la polarité des batteries n'est pas respectée, comme indiqué dans les compartiments à batterie ou dans le manuel, leur durée de vie pourrait être réduite ou elles pourraient fuir.
- Ne mélangez pas des batteries anciennes et des neuves.
- Ne mélangez pas des batteries alcalines, standard (carbone/zinc) ou rechargeables (au nickel-cadmium, au nickel-métal-hydrure ou au lithium-ion).
- Ne jetez pas les batteries au feu.
- Les batteries doivent être recyclées ou éliminées en observant les directives provinciales ou territoriales et locales.

Entretien, réparations et assistance technique

Si votre souffleuse à neige sans cordon Sun Joe® 24V-X2-SB18 nécessite une réparation ou un entretien, veuillez appeler le service clientèle Snow Joe® + Sun Joe® au 1 866-SNOWJOE (1-866-766-9563).

Numéros de modèle et de série

Lorsque vous communiquez avec l'entreprise pour commander des pièces ou prendre rendez-vous pour une intervention technique chez un revendeur agréé, vous devez fournir les numéros de modèle et de série qui se trouvent sur l'étiquette autocollante apposée sur le caisson de la machine. Copiez ces numéros dans l'espace réservé ci-dessous.

Veuillez noter les numéros suivants sur le caisson ou le guidon de votre nouveau produit :															
N° de modèle :															
2	4	V	-	X	2	-	S	B	1	8					
N° de série :															

24VCHRG-DPC

FCC (Commission fédérale des communications)

⚠️ AVERTISSEMENT! Toute modification ou tout changement apporté à cet appareil et non approuvé par la partie à qui incombe la responsabilité de sa conformité pourrait annuler l'autorisation de l'utiliser.

Appareil de Classe B :

REMARQUE : ce matériel a été testé et il a été constaté qu'il est conforme aux limites des appareils numériques de Classe B, conformément à la Partie 15 des Règles de la FCC.

Ces limites sont conçues pour fournir une protection raisonnable contre le brouillage préjudiciable dans une installation résidentielle.

Ce matériel génère, utilise et peut rayonner une énergie de fréquence radio et, s'il n'est pas installé et utilisé conformément aux instructions, peut être à l'origine d'un brouillage préjudiciable aux communications radio.




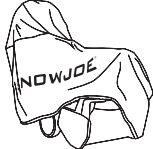
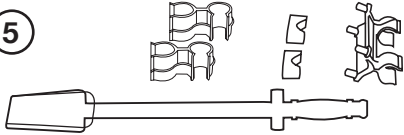
Toutefois, il n'est pas exclu que le brouillage affecte une installation particulière.

Si cet appareil est à l'origine de brouillage préjudiciable à la réception radio et télévision, ce qui peut être déterminé en éteignant et en allumant l'appareil, l'utilisateur est invité à supprimer le brouillage en prenant une ou plusieurs des mesures suivantes :

- Réorienter ou repositionner l'antenne de réception.
- Augmenter la distance entre l'appareil et le récepteur.
- Brancher l'appareil dans la sortie d'un circuit différent de celui dans lequel le récepteur est branché.
- Pour de l'aide, consulter le revendeur ou un technicien radio/télévision qualifié.

Accessoires

⚠ AVERTISSEMENT! TOUJOURS utiliser des pièces de rechange et des accessoires Snow Joe® + Sun Joe® homologués. NE JAMAIS utiliser des pièces ou des accessoires qui ne sont pas destinés à être utilisés avec cette souffleuse à neige sans cordon. Communiquez avec Snow Joe® + Sun Joe® si vous n'êtes pas sûr que l'utilisation d'une pièce de rechange ou d'un accessoire particulier avec votre souffleuse à neige sans cordon soit sans danger. L'utilisation de tout autre accessoire ou de toute autre pièce détachée peut être dangereuse et pourrait provoquer des dommages corporels ou des détériorations d'origine mécanique.

Accessoires	Description	Modèle
<p>①</p> 	Batterie au lithium-ion 4,0 Ah iON+ 24V	24VBAT
<p>②</p> 	Batterie au lithium-ion 5,0 Ah iON+ 24V	24VBAT-XR
<p>③</p> 	Chargeur rapide de batterie au lithium-ion iON+ 24V	24VCHRG-QC
<p>④</p> 	Housse de protection universelle de 53,3 cm pour souffleuse à neige	SJCVR-21
<p>⑤</p> 	Outil universel de curage de goulotte de souffleuse à neige	SJCOT

REMARQUE : les accessoires sont sous réserve de changements sans que Snow Joe® + Sun Joe® soit pour autant tenue de donner un préavis desdits changements. Les accessoires peuvent être commandés en ligne sur le site snowjoe.com ou par téléphone en appelant le service clientèle Snow Joe® + Sun Joe® au 1-866-SNOWJOE (1-866-766-9563).



LA PROMESSE DE SNOW JOE® + SUN JOE® À SES CLIENTS

Vous êtes notre client et Snow Joe, LLC (« Snow Joe ») **SE MET EN QUATRE** pour vous servir. Nous nous efforçons de vous rendre l'utilisation de nos produits aussi plaisante que possible. Malheureusement, il peut arriver qu'un produit Snow Joe®, Sun Joe® ou Aqua Joe (« Produit ») ne fonctionne pas ou se casse dans des conditions d'utilisation normales. Nous pensons qu'il est important que vous sachiez ce que vous pouvez attendre de nous. C'est pourquoi nous avons une garantie limitée (« Garantie ») pour nos Produits.

NOTRE GARANTIE :

Snow Joe déclare et garantit que les Produits neufs, d'origine, électriques ou non électriques sont exempts de vices de matière ou de fabrication et, lorsqu'ils font l'objet d'une utilisation résidentielle et ménagère ordinaire, les garantit pendant une période de deux ans à compter de la date d'achat au détail par l'acheteur primitif auprès de Snow Joe ou d'un des revendeurs agréés de Snow Joe, preuve d'achat à l'appui. Étant donné que Snow Joe ne peut pas contrôler la qualité de ses Produits vendus par des revendeurs non agréés, sauf stipulation contraire de la loi, la présente Garantie ne couvre pas les Produits achetés auprès de vendeurs non agréés. Si votre Produit ne fonctionne pas ou si une pièce spécifique couverte par les modalités de la présente Garantie fait l'objet d'un problème quelconque, Snow Joe choisira (1) de vous envoyer une pièce de rechange gratuite, (2) de remplacer le Produit par un produit neuf ou comparable, gratuitement, ou (3) de réparer le Produit. Génial, n'est-ce pas?

La présente Garantie vous donne des droits judiciaires spécifiques, et vous pouvez également avoir d'autres droits qui peuvent varier d'une province ou d'un territoire à l'autre.

ENREGISTREMENT DU PRODUIT :

Snow Joe vous recommande vivement d'enregistrer votre Produit. Vous pouvez l'enregistrer en ligne sur le site snowjoe.com/register, ou en imprimant et en envoyant par courrier une carte d'enregistrement offerte en ligne sur notre site Web, ou par téléphone en appelant notre Service à la clientèle au **1-866-SNOWJOE (1-866-766-9563)**, ou encore en nous envoyant un courriel à l'adresse help@snowjoe.com. Le fait de ne pas enregistrer l'achat de votre Produit n'a aucune conséquence sur vos droits concernant la garantie. Toutefois, l'enregistrement de votre Produit permettra à Snow Joe de mieux répondre au moindre besoin que vous pourriez avoir en matière de service à la clientèle.

QUI PEUT REVENDIQUER LA COUVERTURE DE LA GARANTIE?

La présente Garantie est étendue par Snow Joe à l'acheteur et propriétaire primitif du Produit.

QU'EST-CE QUI N'EST PAS COUVERT?

La présente Garantie ne s'applique pas si le Produit a été utilisé commercialement, pour des travaux non résidentiels ou s'il fait l'objet d'une location. La présente Garantie ne s'applique pas non plus si le Produit a été acheté auprès d'un revendeur non agréé. La présente garantie ne couvre pas non plus les changements cosmétiques qui n'affectent pas le rendement. Les pièces d'usure comme les courroies, les tarières, les chaînes et les dents ne sont pas couvertes au titre de la présente Garantie et peuvent être achetées en ligne sur le site snowjoe.com ou en appelant le **1-866-SNOWJOE (1-866-766-9563)**.







snowjoe.com