



LAWN TRACTOR MOUNTING KIT INSTRUCTIONS

DEVELOPED BY NORDIC PLOW™



ASSEMBLY
TIPS

INSTRUCTIONS FAQs & TIPS

SAFETY

Read and understand the plow instructions, Warranty & FAQ and Tips before use.

Scan the QRC instructional videos on the first page or watch the videos on our website before use: www.nordicplow.com

Always instruct other users before they use the plow.

OPERATION

Risk of Injury:

- Never allow children to handle the plow.
- Never allow anyone to walk beside or sit on the plow when in use.
- ^a **Never operate the plow over 2 to 3 mph. Keep a slow steady speed.**
- If you hit an obstruction, immediately stop the vehicle and reverse direction.

STEP 1 & 2: The side universal mounting plate (part #77) has 4 sides with various combinations of holes to line up with those already on the mower. In the rare case where the holes do not match, it is okay to drill holes in the mount plate to fit your frame.

NOTE: Holes must be identical on both sides.

STEPS 3: There are many ways to attach the boot plate (part #76) to the mount plates (part #77). The closer the boot plates are to the machine the better.

STEP 5: A left-sided mount of the handle is shown. Place bracket (part #75) on the other side if a right side handle is preferred. Use the axle (part #46) as a guide before tightening bolts to help keep the holes on center.

STEP 6: Be sure to include the thick spacers (part #41) onto the axle and in between the boot plate (part #76) and the Spring Pivot Bracket (part #10).

1-888-662-7569 (PLOW)

771 W. North Avenue West Chicago, IL 60185

www.nordicplow.com

1/4"



H-11201
X 2



P-31103
X 2

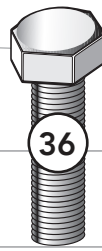
1"

2"



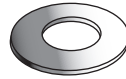
47189
x4

3/8"



43001
X 10

1"

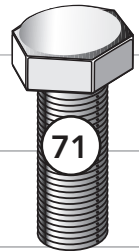


43070
x10



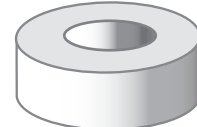
44072
x10

1/2"

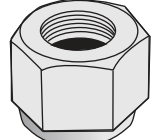


H-46521
X 2

1"



712-3083
x2



712-3083
x2



43343
x1



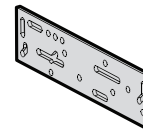
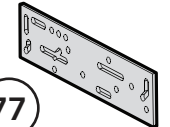
720116
x1



27527
x2



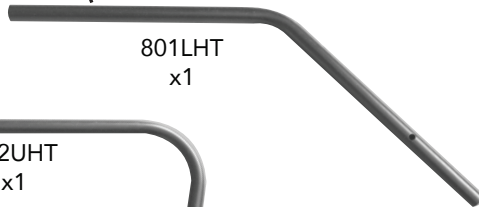
27526
x2



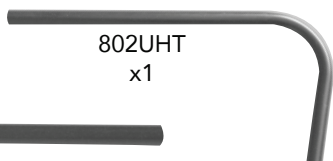
800HMB
x 1



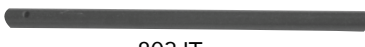
801LHT
x1



802UHT
x1



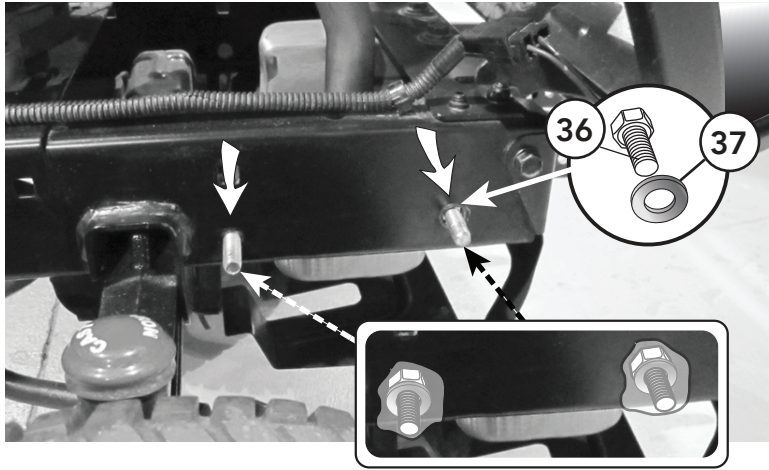
803JT
x1



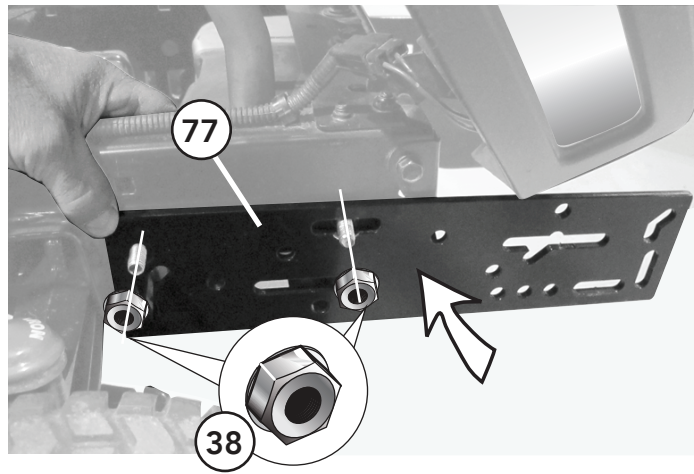
27528
x1



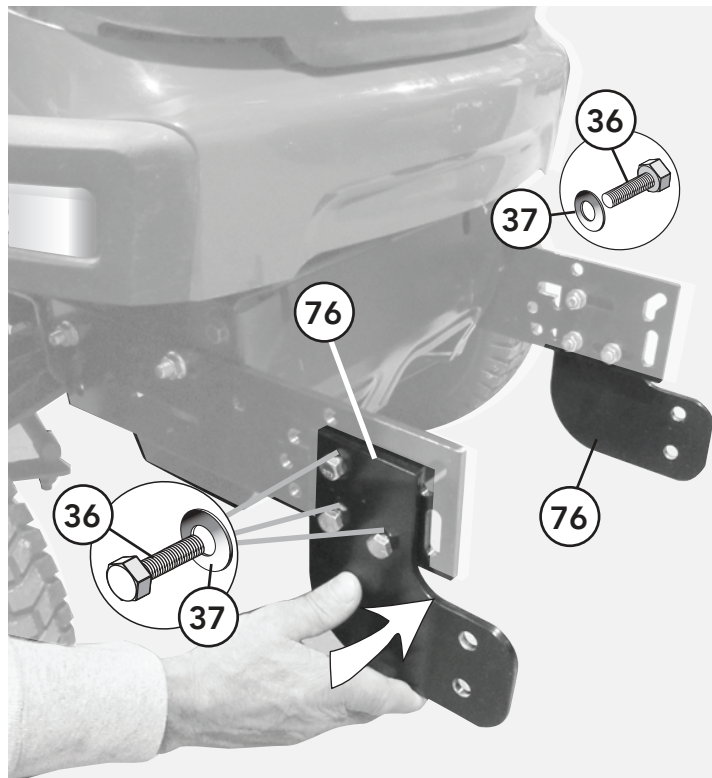
1



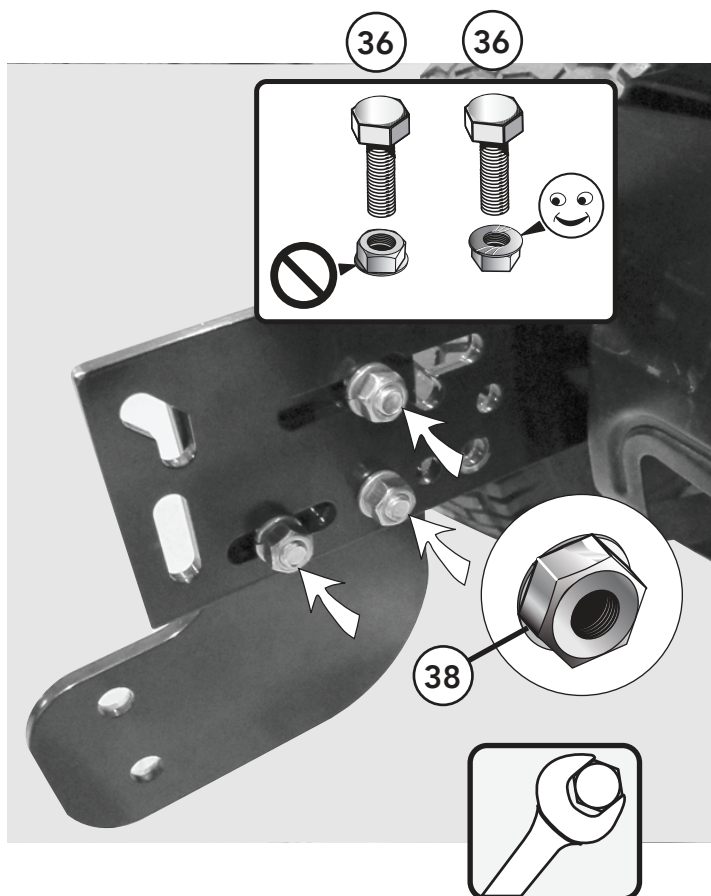
2



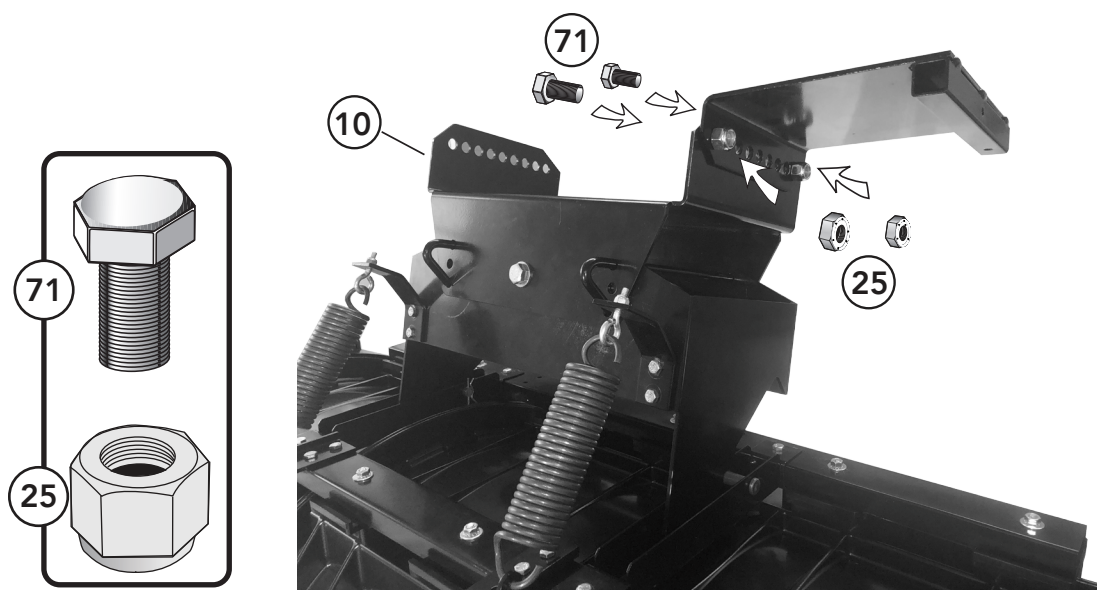
3

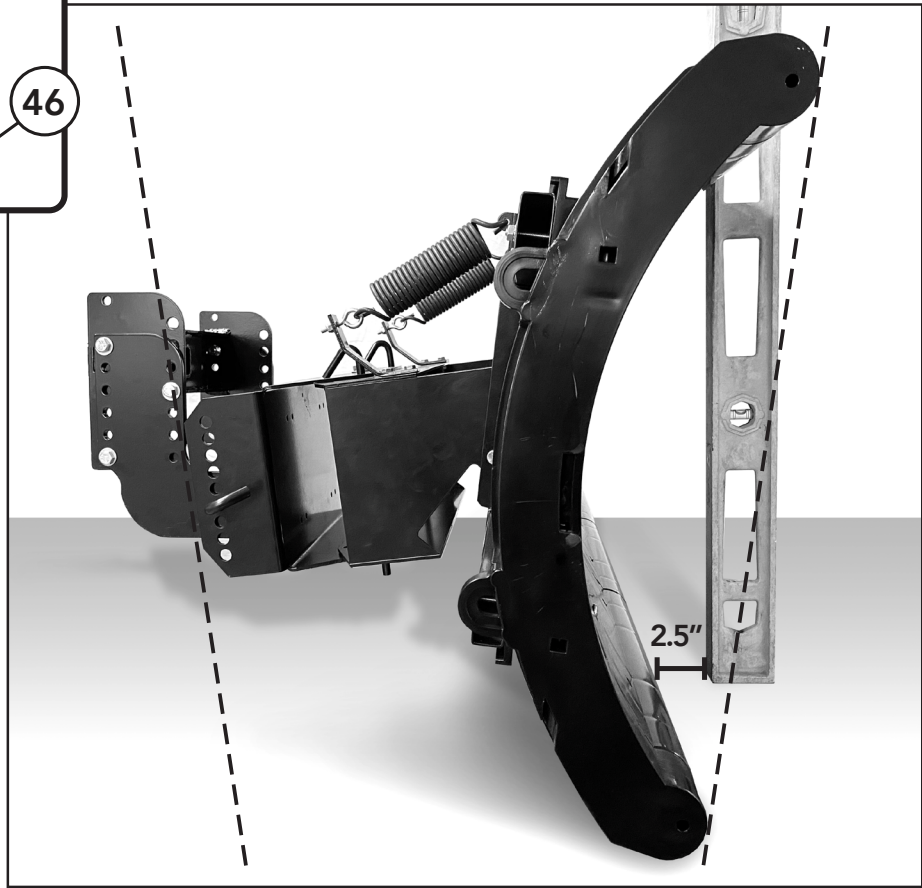
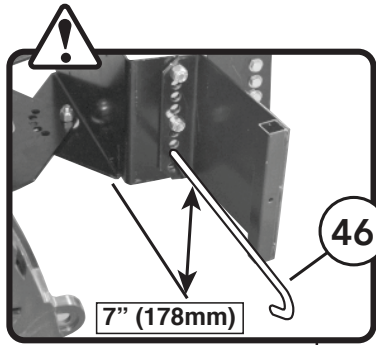
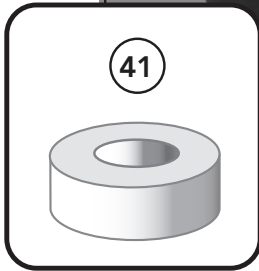
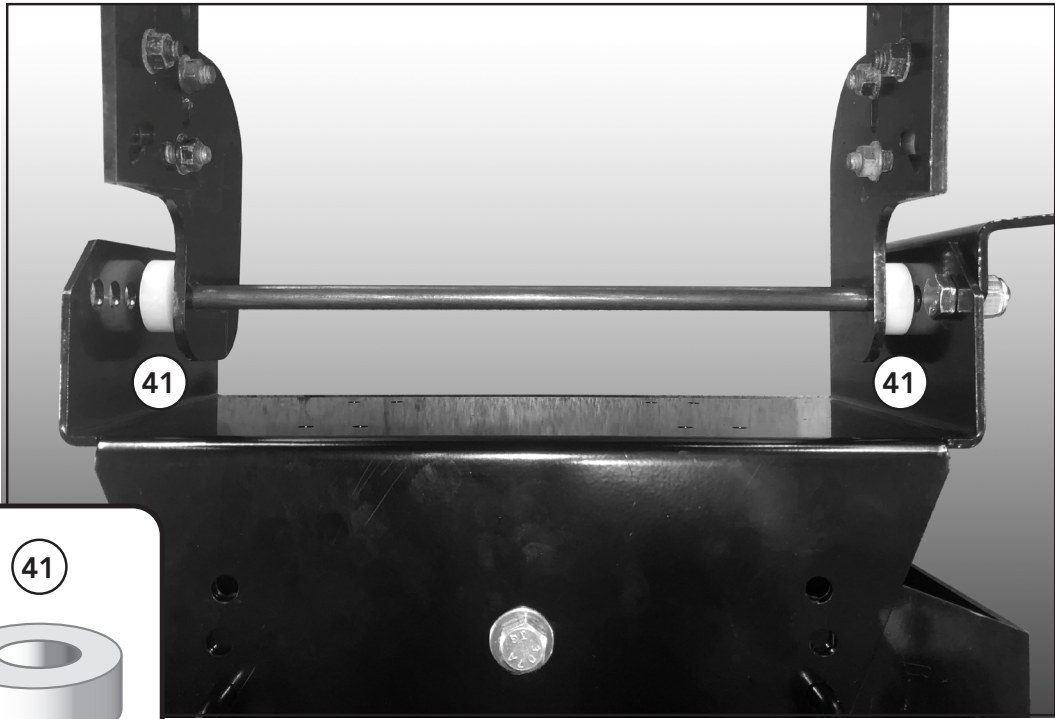


4



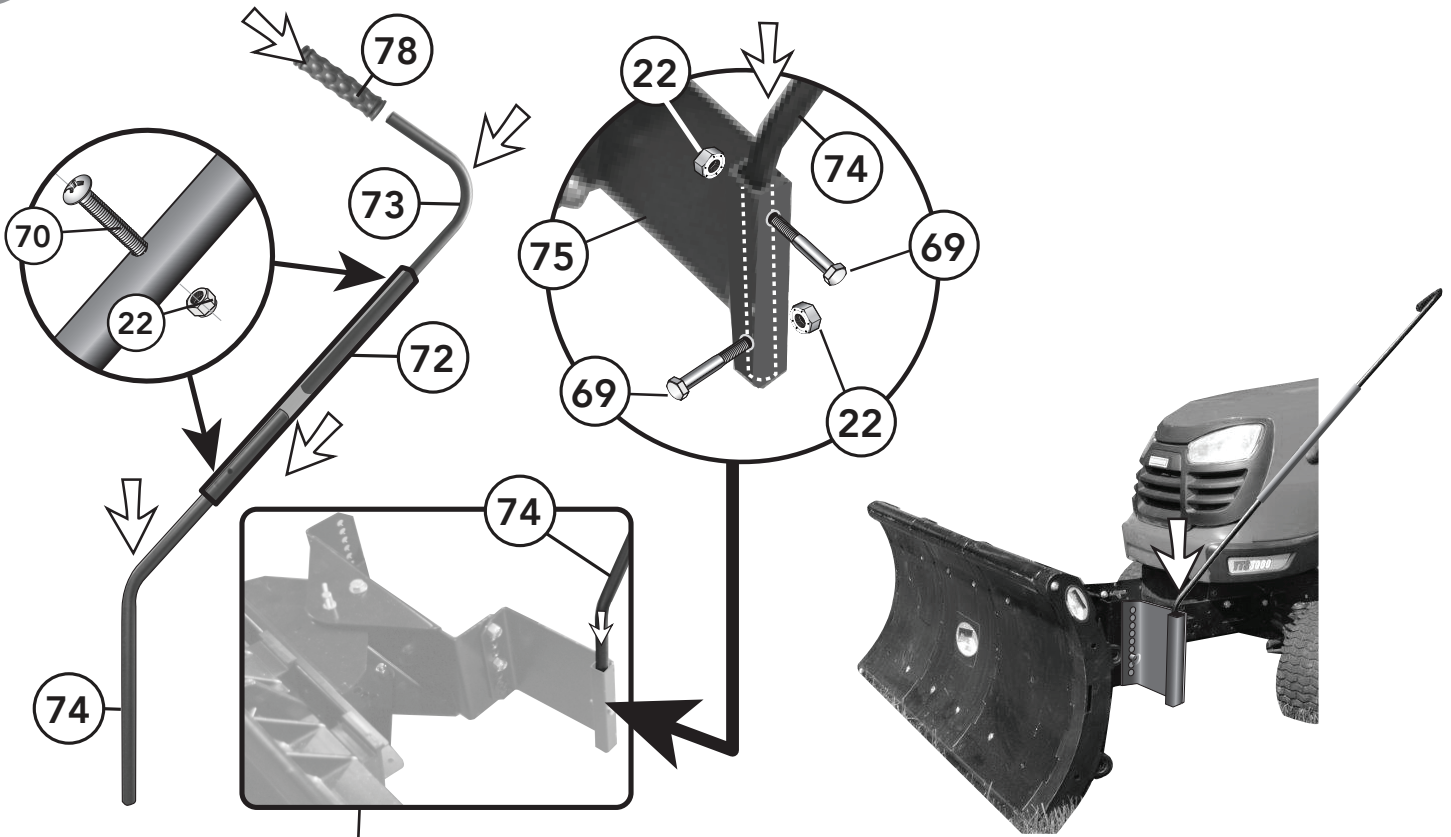
5





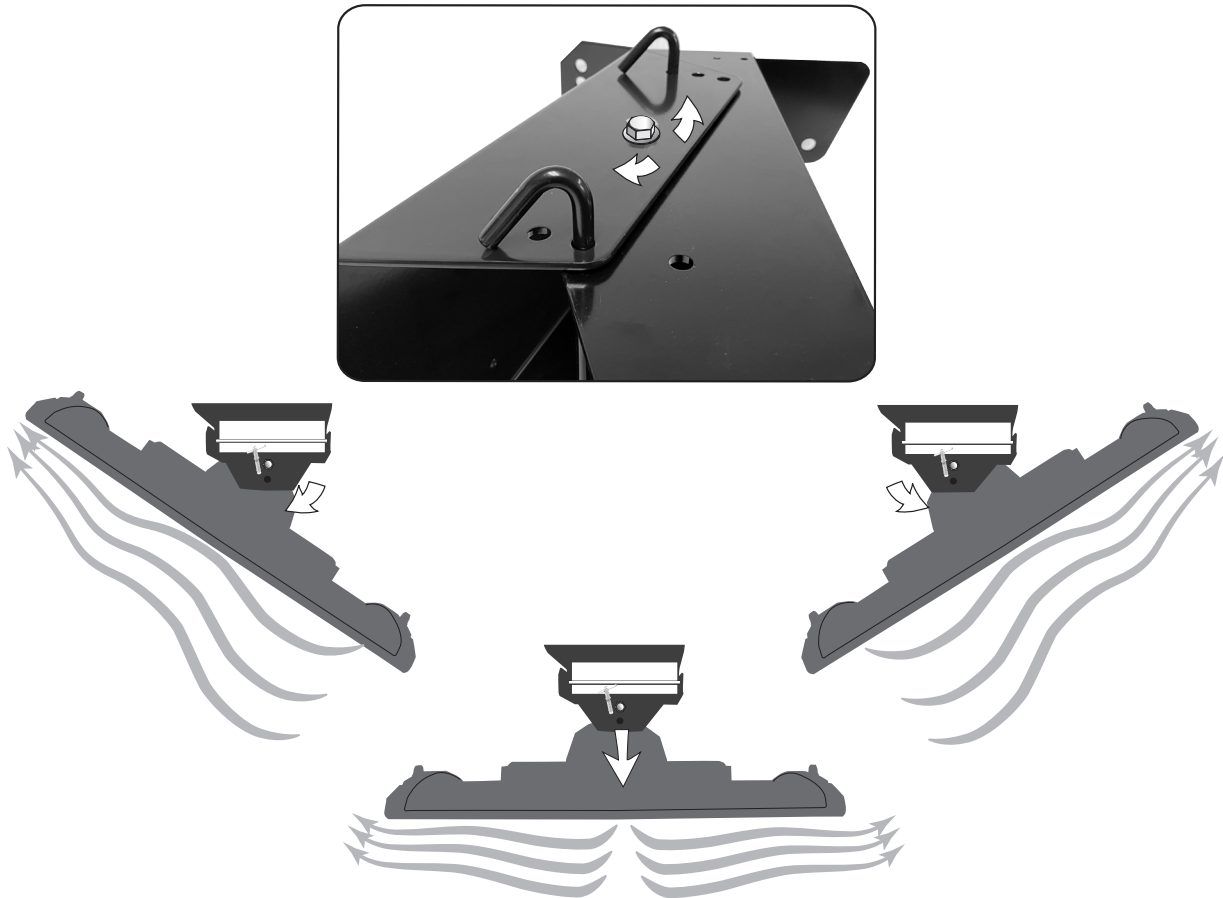
ASSEMBLY
TIPS

7



I didn't shoot this. Did you?

8



These instructions are for the Lawn Tractor Mounting Kit and are 2 of 2 packages.
The Plow and its instructions are packaged and shipped separately.



1-888-662-7569 (PLOW) | 771 W. North Avenue, West Chicago, IL 60185 | www.nordicplow.com

© October 2020