



**USER
MANUAL**



**POWER
BREEZER**
MACH 4J

Version 1.0

Congratulations on your selection of a Power Breezer® evaporative cooler. We are proud of our products and have designed your Power Breezer for years of safe, reliable service. This user manual will instruct you in the proper operation and maintenance of your Power Breezer. Please read through this manual before operating your Power Breezer.

SAVE THIS MANUAL

TABLE OF CONTENTS

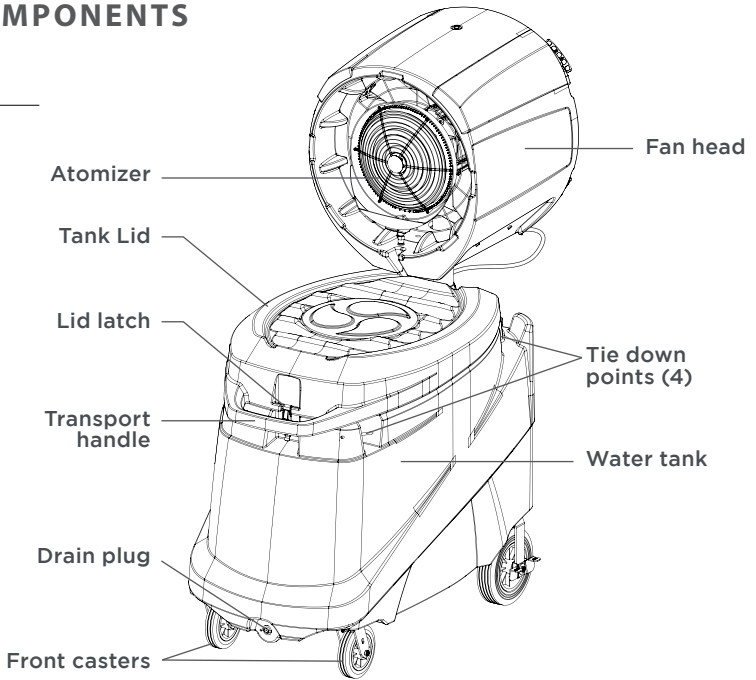
A. WARNINGS	3
I. KEY COMPONENTS	4
II. SETUP	6
1. Mounting the fan head:	6
2. Using the correct outlet:	10
3. Adding water to the water tank:	10
4. Routing power and water lines and replacing tank lid:	11
III. OPERATION	12
1. Control panel – Buttons:	12
2. Turning on your Power Breezer:	12
3. Adjusting the misting level:	13
IV. DISASSEMBLY	14
1. Dismounting fan head:	15
2. Routing power and water lines and replacing tank lid:	17
V. MOVING / TRANSPORTING YOUR POWER BREEZER	18
VI. MAINTAINING YOUR POWER BREEZER	19
1. Maintaining the water tank:	19
2. Maintaining the fan head and motor:	19
VIII. WARRANTY	20
IX. CONTACT INFORMATION	21

A. WARNINGS

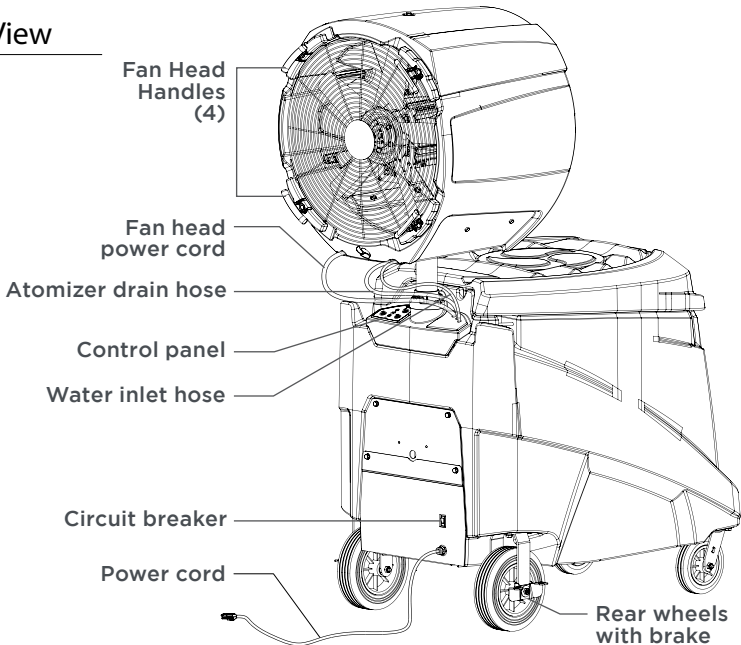
- This Power Breezer is intended for use only as specified in this manual. If you have questions about its use, please contact Breezer Mobile Cooling. **844.233.5673 | customerservice@breezercooling.com**
- Use only on a outlet protected by a ground-fault circuit-interrupter (GFCI). (see page 10)
- Avoid using extension cords.
- Do not allow plug to become wet. Do not plug in while hands are wet. Doing so causes risk of electric shock.
- Do not alter the plug in any way.
- If the power cord is damaged, do not attempt to repair it yourself. Contact Breezer Mobile Cooling customer service for assistance. **844.233.5673 | customerservice@breezercooling.com**
- Turn off and unplug the Power Breezer prior to filling or emptying water reservoir.
- Turn off and unplug the Power Breezer prior to moving.
- Turn off and unplug the Power Breezer prior to cleaning it.
- Always unplug the Power Breezer by pulling on the plug and never on the cord.
- Do not insert fingers or other objects inside the fan head, doing so may cause bodily injury.
- Children can fall into open water reservoir and drown, even in a small amount of water. Keep children away from reservoir. Keep water tank lid on at all times.
- Closely supervise nearby children and pets when using this Power Breezer. Do not leave Power Breezer unattended.
- Children shall not play with the Power Breezer.
- Cleaning and user maintenance shall not be made by children without supervision.
- The Power Breezer is not to be used by persons (including children) with reduced physical, sensory or mental capabilities, or lack of experience and knowledge, unless they have been given supervision or instruction.
- This Power Breezer can be used by children aged from 8 years and above and persons with reduced physical, sensory or mental capabilities or lack of experience and knowledge if they have been given supervision or instruction concerning use of the Power Breezer in a safe way and understand the hazards involved.
- When operating Power Breezer, use common sense. Stay clear of moving parts and only use water that is safe for drinking.
- If the Power Breezer becomes damaged or malfunctions, do not attempt to repair the Power Breezer. Doing so will void the warranty. Contact Breezer Mobile Cooling customer service for repair assistance. **844.233.5673 | customerservice@breezercooling.com**
- The appliance is not to be used by persons (including children) with reduced physical, sensory or mental capabilities, or lack of experience and knowledge, unless they have been given supervision or instruction" or equivalent.
- This Power Breezer is suitable for use as a fan for tropical climates.
- This Power Breezer is suitable for use outdoors.
- This Power Breezer is intended for industrial use.
- This Power Breezer is rated IP24.
- Do not throw away this user manual, keep it for reference.

I. KEY COMPONENTS

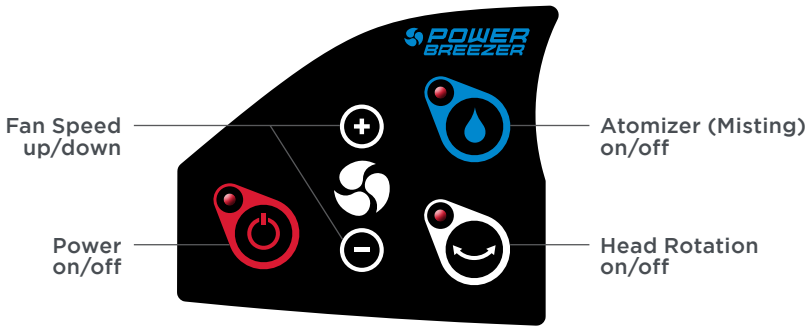
Front View



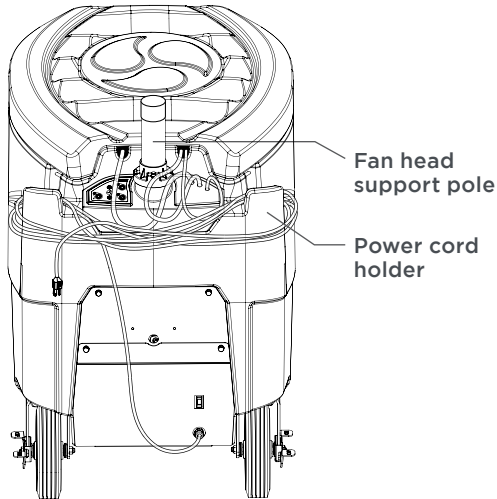
Rear View



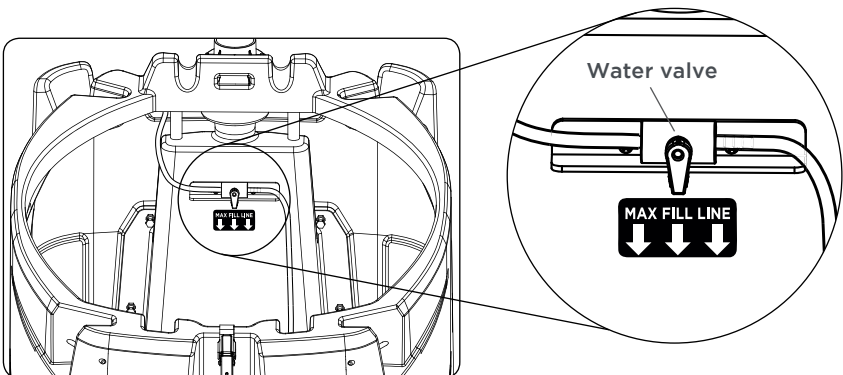
Control Panel



Storage View

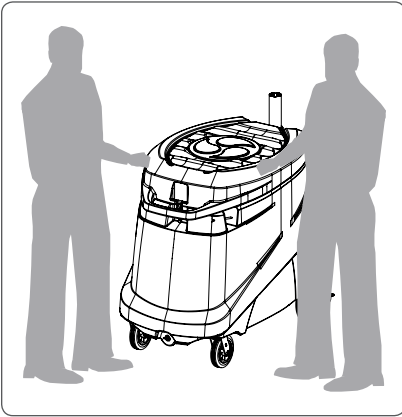


Inside Water Tank View



II. SETUP

1. Mounting the fan head:

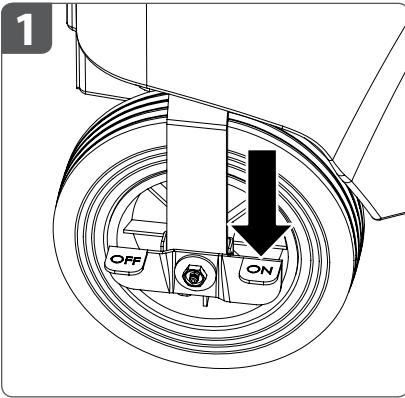


To set up your Power Breezer, you will need:

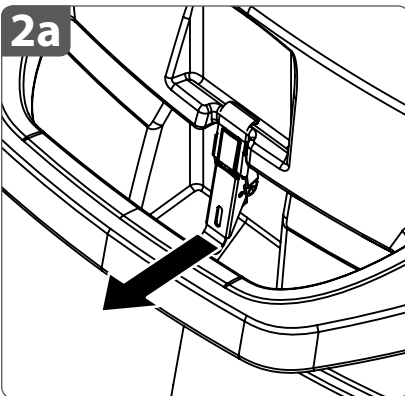
- 2 people
- An AC outlet
- Access to water to fill the **water tank**

Remember:

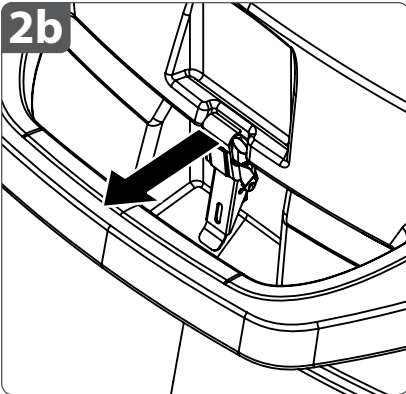
- Lift **fan head** only by the **head handles**.
- **Never** lift from the fan guards.
- **The fan head weighs 86 lbs.**



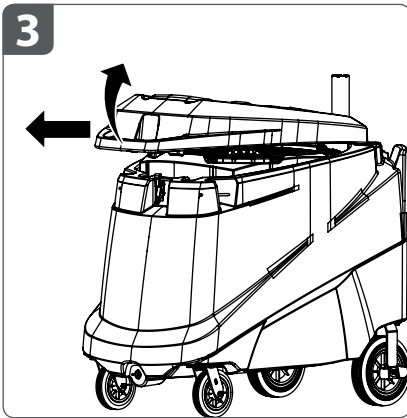
- 1a.** Before you get started, be sure to lock both of the **rear wheels** by pressing down on the brake lever to set them to the **ON** position.



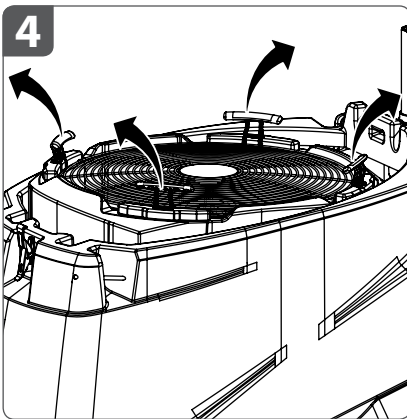
- 2a.** Open the **lid latch** by first pulling forward the lower portion of the latch.



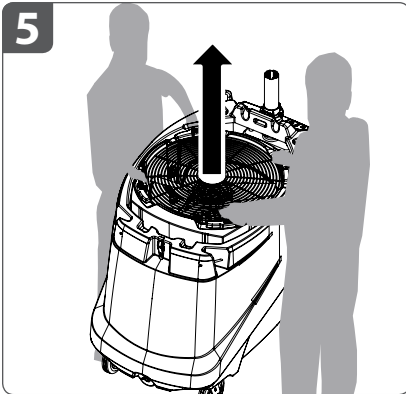
2b. Finish opening the **lid latch** by pulling the upper portion of the latch forward and away from the lid.



3. Remove **tank lid** by first lifting up on the **transport handle** and then pulling forward.



4. Tilt up the four **fan head handles**, if they are folded down, prior to lifting the head.

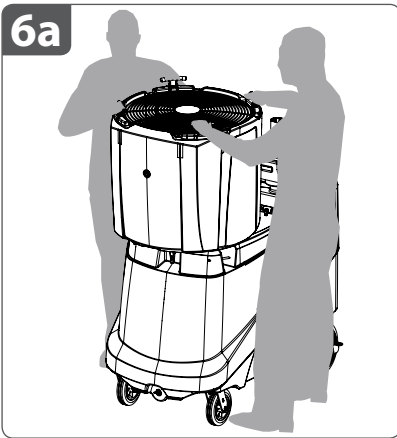


5a. To lift the **fan head** out of the **water tank**, each person should stand on opposite sides of Power Breezer.

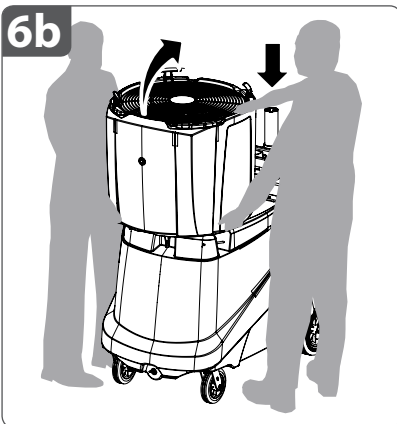
5b. Both people should grasp the **fan head** by the **fan head handles**, as shown.

Remember:

- Lift **fan head** only by the **head handles**.
- **Never** lift from the fan guards.

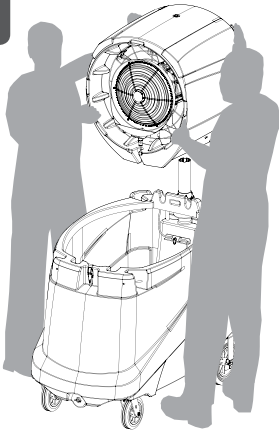


6a. Lift the **fan head** straight up and out of the **water tank**. Carefully rest it on the **edge of the water tank** opposite of the **fan head support pole**, as shown.



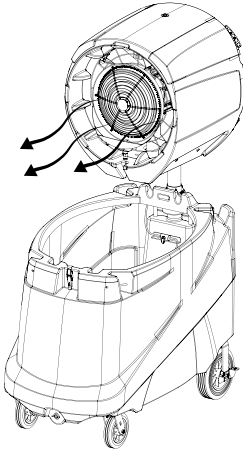
6b. Both people should re-adjust their grip so that they have one hand on a **fan head handle** or the black outer housing and one hand on the front edge of the **fan head**, as shown.

6c



6c. Once again, lift the **fan head** and **align it with the fan head support pole**. Once the **fan head** is seated on the **support pole**, rotate the **fan head** horizontally until you feel it engage with the **support pole**.

7



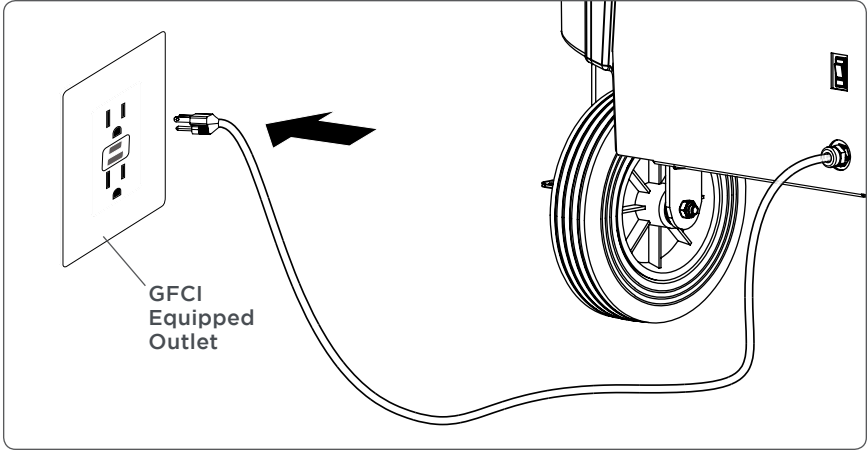
Once installed, the **atomizer** (metal disk) will be facing the **water tank**, air will be blown over the **water tank** when the Power Breezer is turned on.



2. Using the correct outlet:

Electrical current of 110v or 220v is required.

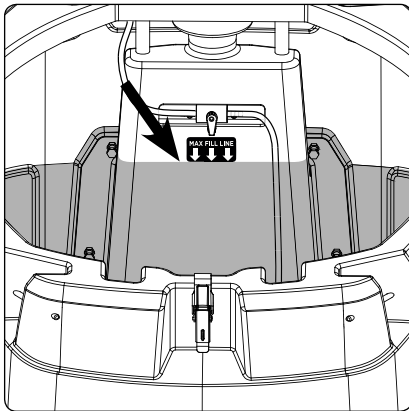
For safety, only plug your Power Breezer into an outlet equipped with GFCI.

DO NOT plug into standard outlet without a GFCI feature.



NOTE: A live power outlet can be verified when the Power Breezer is **plugged in and powered off** by pressing the **oscillation**  or **water**  buttons. The LED lights will dimly illuminate when either of these buttons are depressed.

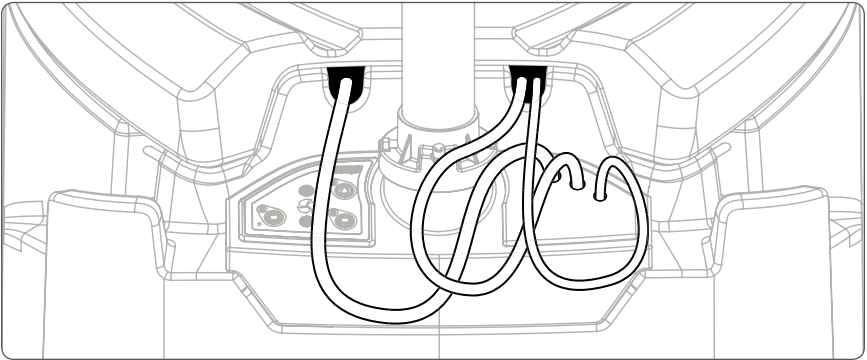
3. Adding water to the water tank:



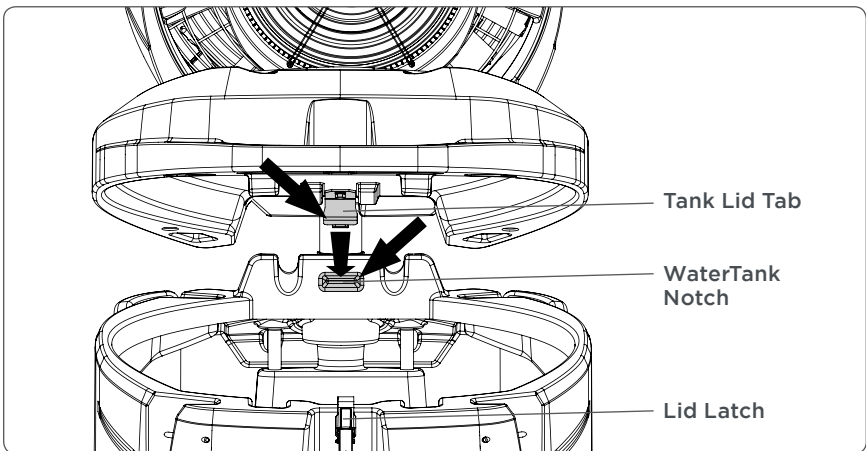
Do not fill the **water tank** above the **max fill level**, as shown. If **water tank** is filled past this level, water may leak out of the **water tank** and cause a hazard around the Power Breezer.

The **water valve** can be adjusted for optimal performance according to your climate. To adjust, please follow the steps in the **Operation - Adjusting the misting level** section of this manual.

4. Routing power and water lines and replacing tank lid:



- 4a.** Route the fan **head power cord, atomizer drain hose, and water inlet hose** through the openings in the back of the **water tank** as shown above.

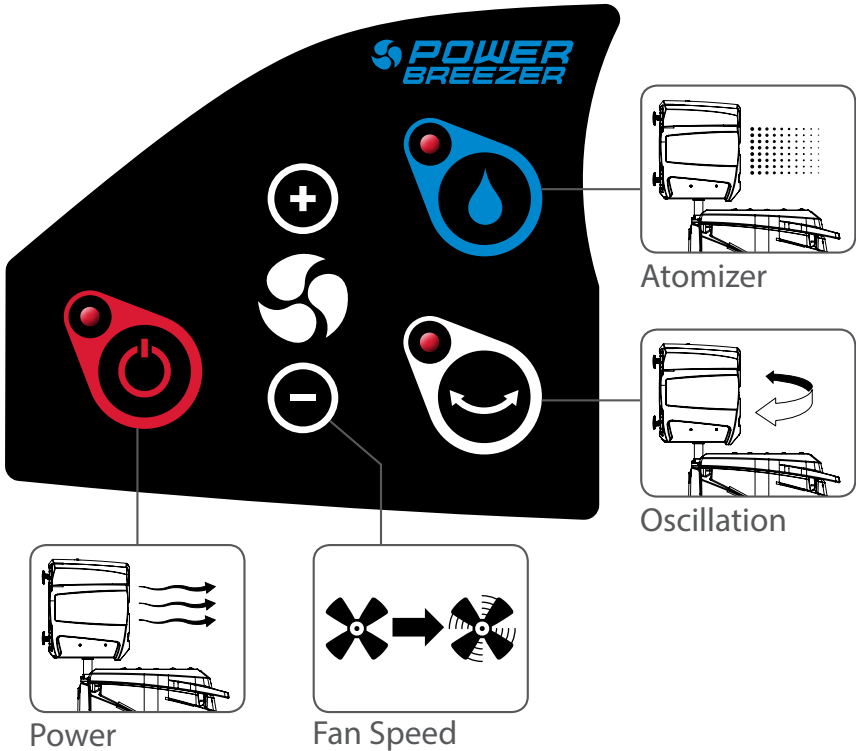


Note the **tank lid tab** on the back underside of the **tank lid**.







- 4b.** Slide the **lid tab** into the corresponding **water tank notch** in the back of the **water tank** as shown above.
- 4c.** Lower the front of the **tank lid** onto the **water tank** and re-lock **lid latch**.

III. OPERATION

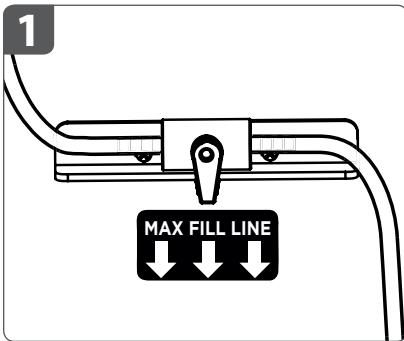
1. Control panel – Buttons:





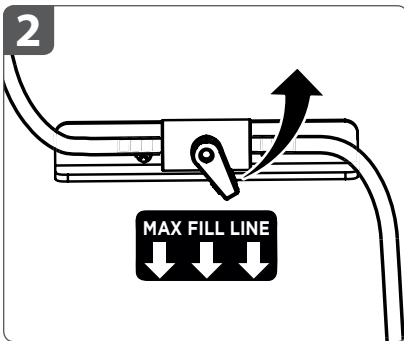
2. Turning on your Power Breezer:

- 2a. Press the **power button**  and **hold for one second**.
The **LED light for the power button** will be lit and the fan blades will begin to slowly rotate to indicate the Power Breezer is powered on.
- 2b. Press the **fan speed button**  to increase the fan speed.
Adjust the fan speed by pressing the  or  buttons.
- 2c. Press the **oscillation button**  once to activate the oscillation feature.
- 2d. Press the **atomizer button**  once to activate the misting feature.

3. Adjusting the misting level:

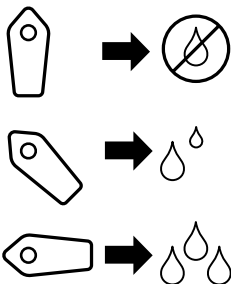


- 1a. Press the **power button**  and **hold for one second** if Power Breezer is not already on.
- 1b. Set **fan speed** to desired level.
- 1c. Locate the **water valve**. The **water valve** is inside the **water tank** towards the rear.
- 1d. Start with the **water valve** closed, at the 6 o'clock position as shown.
- 1e. Start the atomizer by pressing the **atomizer button**  once.

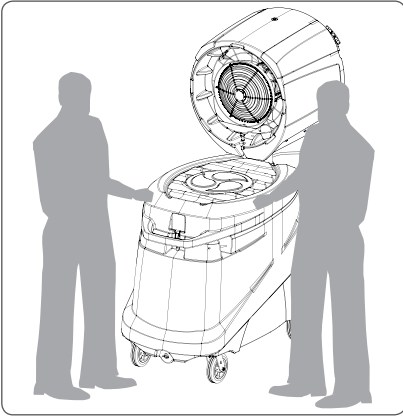


- 2a. Open the **water valve** slightly by turning the lever counter-clockwise. There will be a short delay before misting begins. Check the distance of the mist.
- 2b. If there is a strong mist at 6 feet away, then the moisture setting is too high for conditions. To reduce misting, rotate the **water valve** lever clock-wise back towards the 6 o'clock position.

Optimal moisture settings can also be adjusted according to personal preference.



IV. DISASSEMBLY

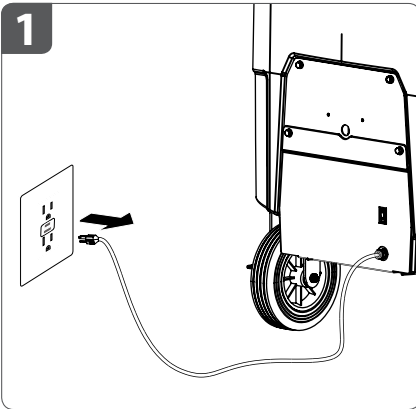



To disassemble your Power Breezer, you will need:

- 2 people

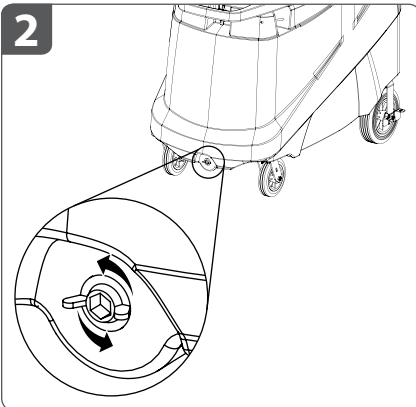
Remember:

- Lift **fan head** only by the black outer shell from the top and bottom.
- **Never** lift from the fan guards or metal disk.
- **The Fan Head weighs 86 lbs.**



1a. Power off the Power Breezer by holding down the **power button**  for one second.

1b. Unplug **power cord**.

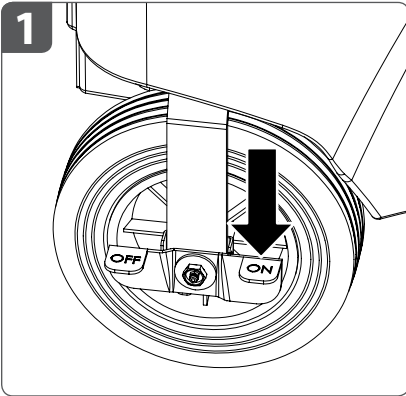


Drain water tank:

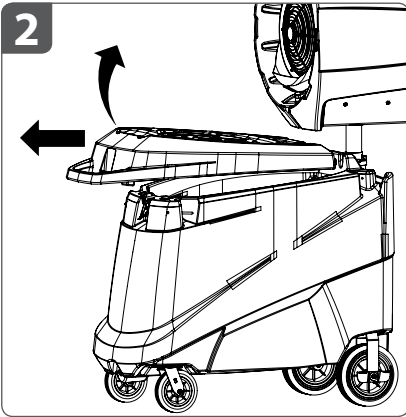
Depending on volume of water to be drained, you may want to move your Power Breezer to a suitable location prior to draining.

Open the **drain plug** by turning counter clockwise and fully drain the **water tank**.

1. Dismounting fan head:

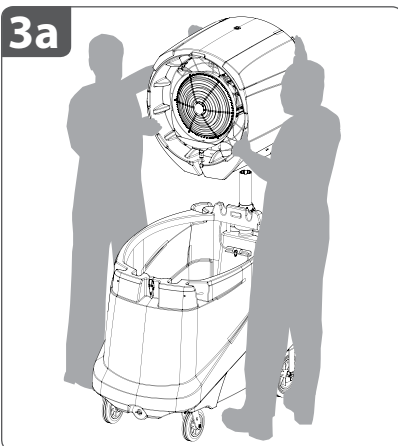


Before you get started, be sure to lock both of the **rear wheels** by pressing down on the **brake lever** to set them to the **ON** position.



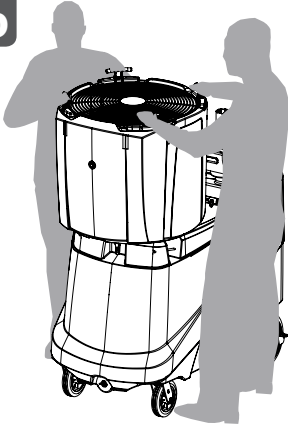
2a. Unlock **lid latch**.

2b. Remove **tank lid** by first lifting up on the **transport handle** and then pulling forward.



3a. Lift the **fan head** straight up and off the **head support pole**.

3b



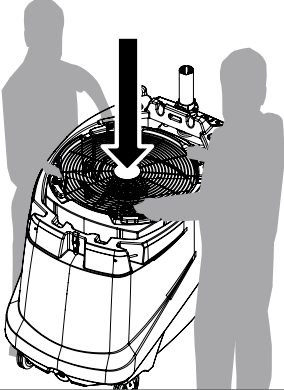
3b. Carefully rest **fan head** on the **edge of the tank** opposite of the **head support pole**, as shown.

Both people should grasp the **fan head** by the **fan head handles**, as shown.

Remember:

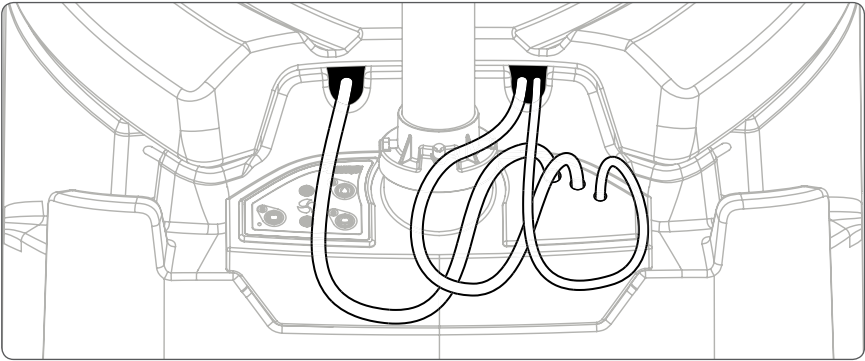
- At this step, lift **fan head** only by the **head handles**.
- **Never** lift from the fan guards.

3c

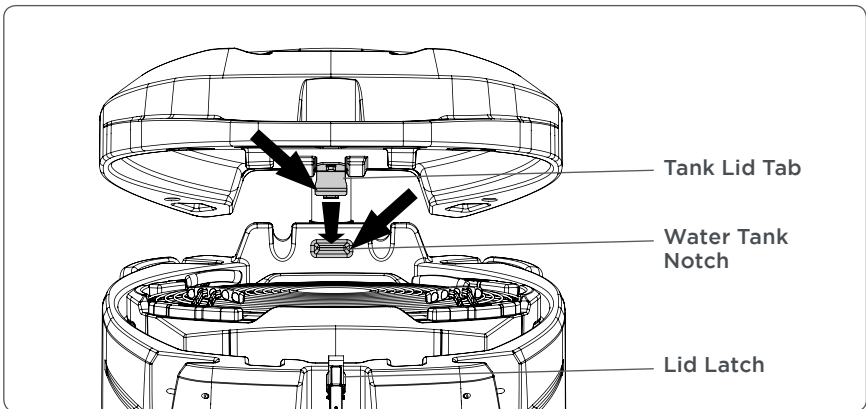


3c. Carefully lower the **fan head** into the **water tank**.

2. Routing power and water lines and replacing tank lid:



- 2a.** Route the fan **head power cord**, **atomizer drain hose**, and **water inlet hose** through the openings in the back of the **water tank** as shown above.



Note the **lid tab** on the back underside of the **lid**.

- 2b.** Slide the **lid tab** into the corresponding **water tank notch** in the back of the **water tank** as shown above.
- 2c.** Lower the front of the **lid** onto the **water tank** and re-lock **lid latch**.

V. MOVING / TRANSPORTING YOUR POWER BREEZER

DO NOT reposition or move your Power Breezer by the **fan head** (if mounted) or the **fan head support pole** (if stored). Doing so may damage your Power Breezer. Only reposition or move your Power Breezer by the **transport handle**.

Prior to transporting your Power Breezer over long distances, disassemble the Power Breezer to prevent damage. Use the **tie down points** to limit movement and prevent damage. Also make sure both **rear wheel locks** are engaged in the **ON position** to prevent rolling.

For long-term storage, make sure that the **water tank** is fully dry. If it is not dry, you may use the fan to dry it.

- With the **fan head** in the **water tank**, and the **tank lid removed**, turn on the fan using a medium speed until the **water tank** is dry.

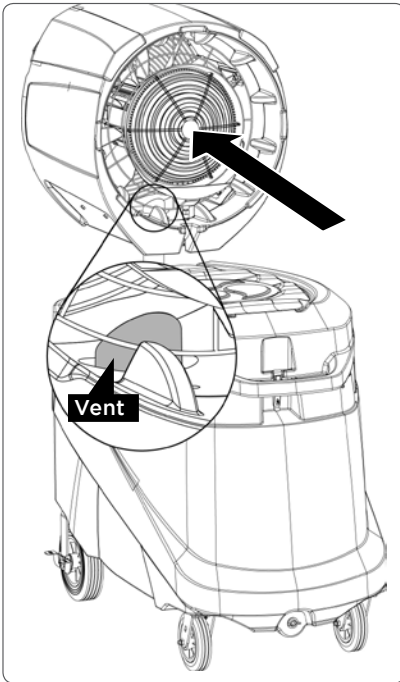
VI. MAINTAINING YOUR POWER BREEZER

For the best performance and longest life of your Power Breezer, we recommend the following maintenance on your Power Breezer every **30 days** and **prior to storing for extended periods of time**.

1. Maintaining the water tank:

- The Power Breezer was designed with easy cleaning in mind.
- Once a week drain the **water tank** and allow for the **water tank** to dry out overnight.
- If the inside of the **water tank** becomes slippery/slimy to the touch, drain the Power Breezer. You can also clean the **water tank** by putting a few drops of liquid soap in water and brushing the inside of the **water tank** with it. Rinse the **water tank** with a hose, then open the **drain plug** at the bottom and leave the **tank lid** off to allow to air dry.

2. Maintaining the fan head and motor:



If you see a collection of dust or debris in the head of the Power Breezer, clean the Power Breezer with a hose.

Spray from the front of the fan head. Use a clean cloth to wipe it down.

Avoid spraying water directly into the **vent**.

VIII. WARRANTY

Power Breezer Limited Warranty

For two (2) years from date of shipment to the first purchaser, Breezer Holdings, LLC. (“Manufacturer”) warrants the fan, fan blades, fan motor, air straighteners and the polyethylene exterior of the Power Breezer to be free from defects in materials or workmanship. Those components found, upon examination by factory-authorized personnel, to be defective in material or workmanship will be repaired or replaced with new or remanufactured parts at Manufacturer’s or authorized dealer’s option and without charge. All other Power Breezer components have a one (1) year warranty from the shipment date against defects in materials or workmanship. Transportation charges on parts submitted for replacement or repair under this warranty shall be borne by the purchaser. Any and all repairs and replacements must be performed by Manufacturer or an authorized Power Breezer dealer or representative. Warranty claims must be made as soon as reasonably possible after a defect is discovered, but before the end of the warranty coverage on the particular part. When a warranty repair or replacement is needed, the Power Breezer must be brought to the Manufacturer’s or authorized dealer’s place of business during normal business hours. A reasonable time must be allowed for the performance of repairs or replacements.

THESE WARRANTIES ARE THE ONLY EXPRESS WARRANTIES BY MANUFACTURER ON THE POWER BREEZER THESE WARRANTIES ARE LIMITED IN DURATION TO THE TIME PERIOD(S) OF THESE WRITTEN WARRANTIES. THESE WARRANTIES ARE IN LIEU OF ALL OTHER OBLIGATIONS, LIABILITIES OR WARRANTIES, WHETHER EXPRESS OR IMPLIED. THESE WARRANTIES DO NOT COVER:

- (1) NORMAL DETERIORATION OR FADING OF COLOR, COSMETIC OR APPEARANCE ITEMS;
- (2) DAMAGE OR MALFUNCTION DUE TO IMPROPER REPAIR DUE TO ANY UNAUTHORIZED ALTERATION OR MODIFICATION MADE TO THE COOLING UNIT;
- (3) USE OF CIVILIAN/INDUSTRIAL MODELS IN MILITARY APPLICATIONS OR ON MILITARY INSTALLATIONS;
- (4) DAMAGE OR MALFUNCTION DUE TO ABUSE, NEGLIGENCE, ACCIDENT OR FIRE;
- (5) DAMAGE CAUSED BY A NON-COVERED, UNAUTHORIZED PART; AND
- (6) FAILURE TO FOLLOW MANUFACTURER’S CLEANING AND MAINTENANCE GUIDELINES.

MANUFACTURER AND ITS AUTHORIZED DEALERS AND DISTRIBUTORS SHALL NOT BE LIABLE FOR ANY LOSS OF USE OF THE COOLING UNIT, FOR ANY ALTERNATE EQUIPMENT, FOR ANY DAMAGE TO GOODS, COMMERCIAL LOSS, LOSS OF TIME OR INCONVENIENCE, OR FOR ANY OTHER INCIDENTAL OR CONSEQUENTIAL DAMAGES.

For more information, please visit PowerBreezer.com.

IX. CONTACT INFORMATION

General Information or Product/Installation Support

Email: customerservice@breezercooling.com

Phone: 844.233.5673

Visit: PowerBreezer.com/support

For Sales Information

sales@breezercooling.com

Phone: 844.233.5673

User Videos

www.youtube.com/powerbreezer

www.powerbreezer.com

Follow Us

www.facebook.com/PowerBreezer

www.twitter.com/PowerBreezer



PowerBreezer.com

6413 Congress Avenue, Suite 110
Boca Raton FL 33487

©2019 Breezer Holdings, LLC.
All Rights Reserved.

Power Breezer® is licensed under
U.S. Patent No. 6,789,787.

