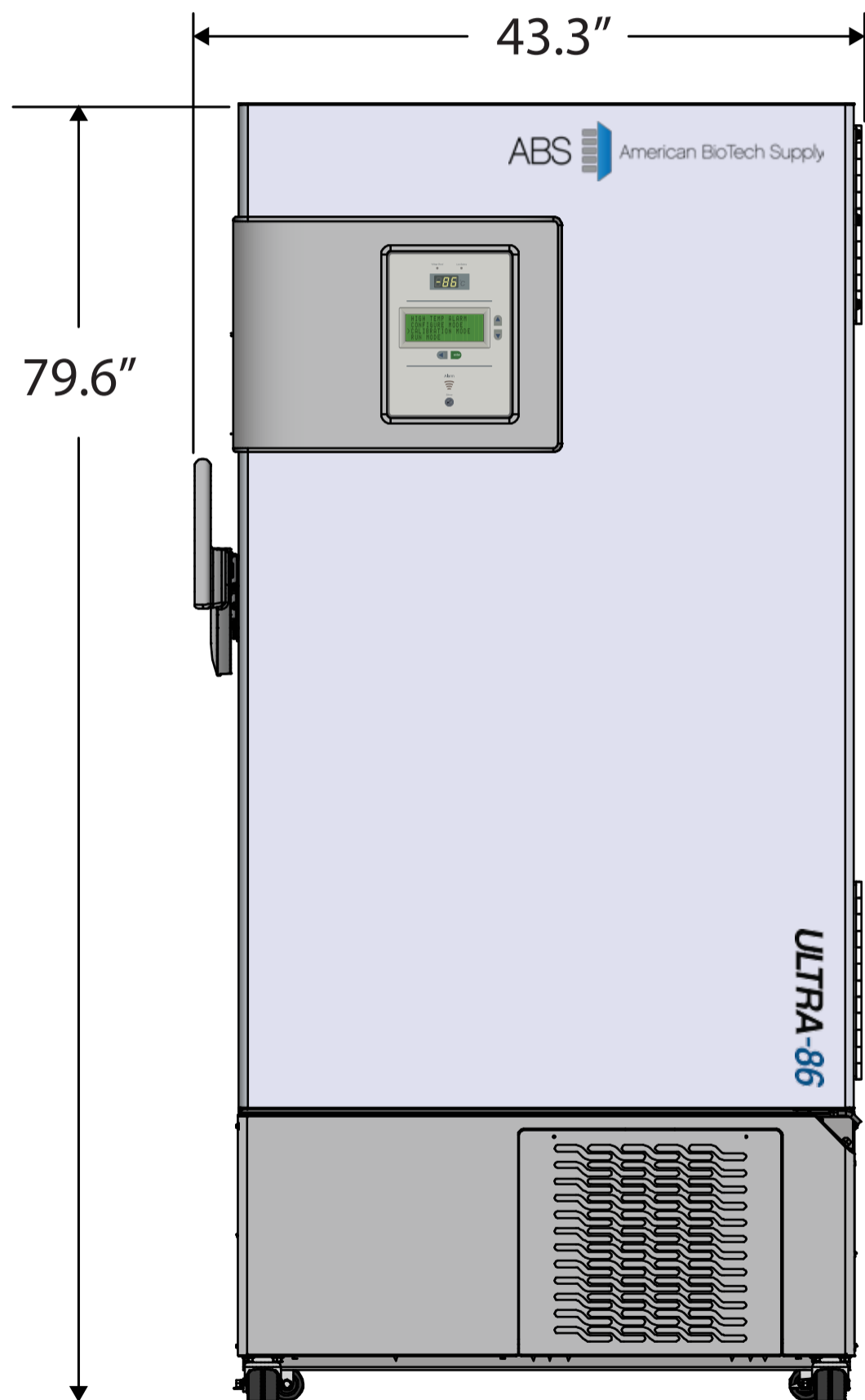
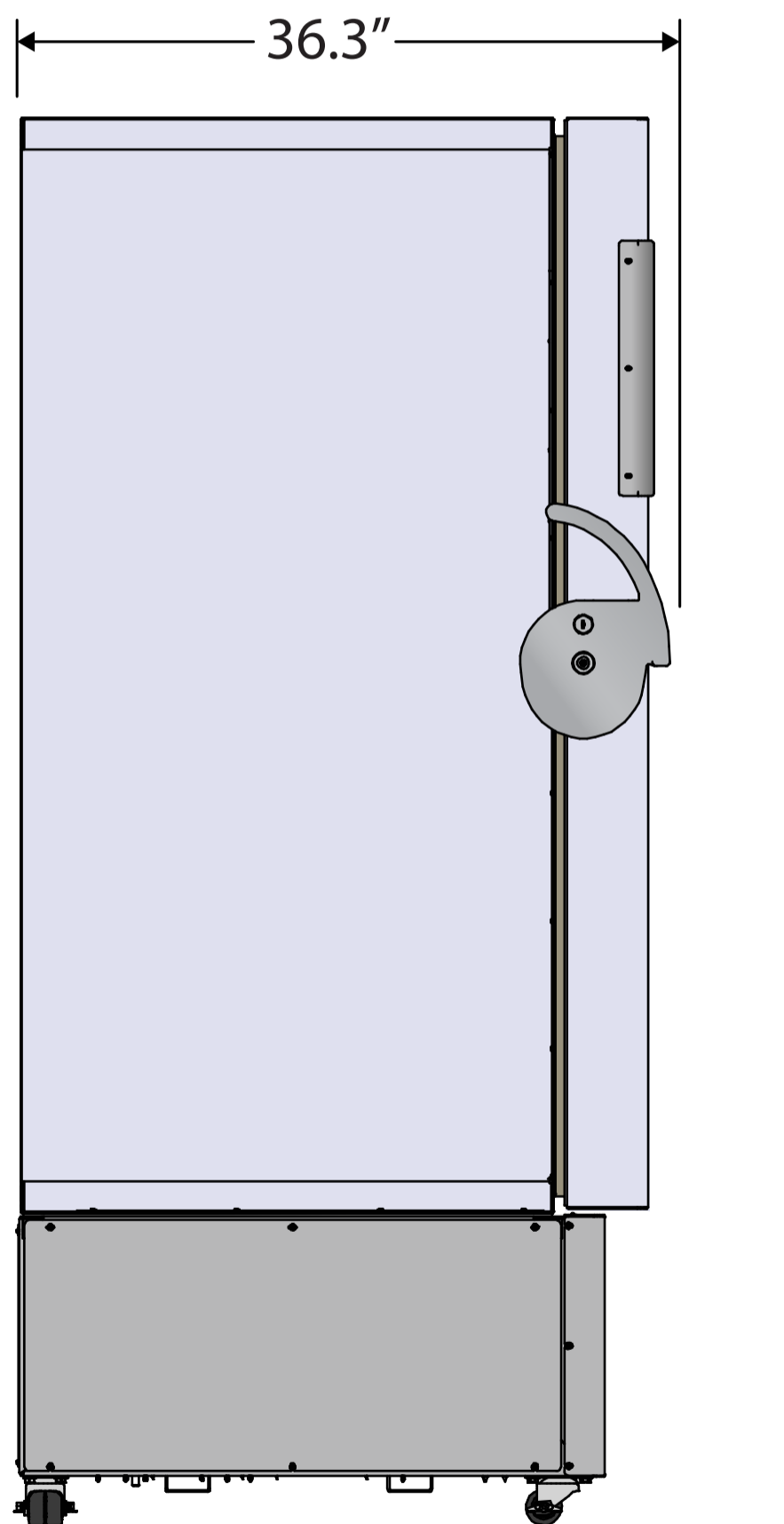


**Exterior 21 Cu. Ft. Capacity
Ultra Low Temperature Freezer
ABT-230V-2186**

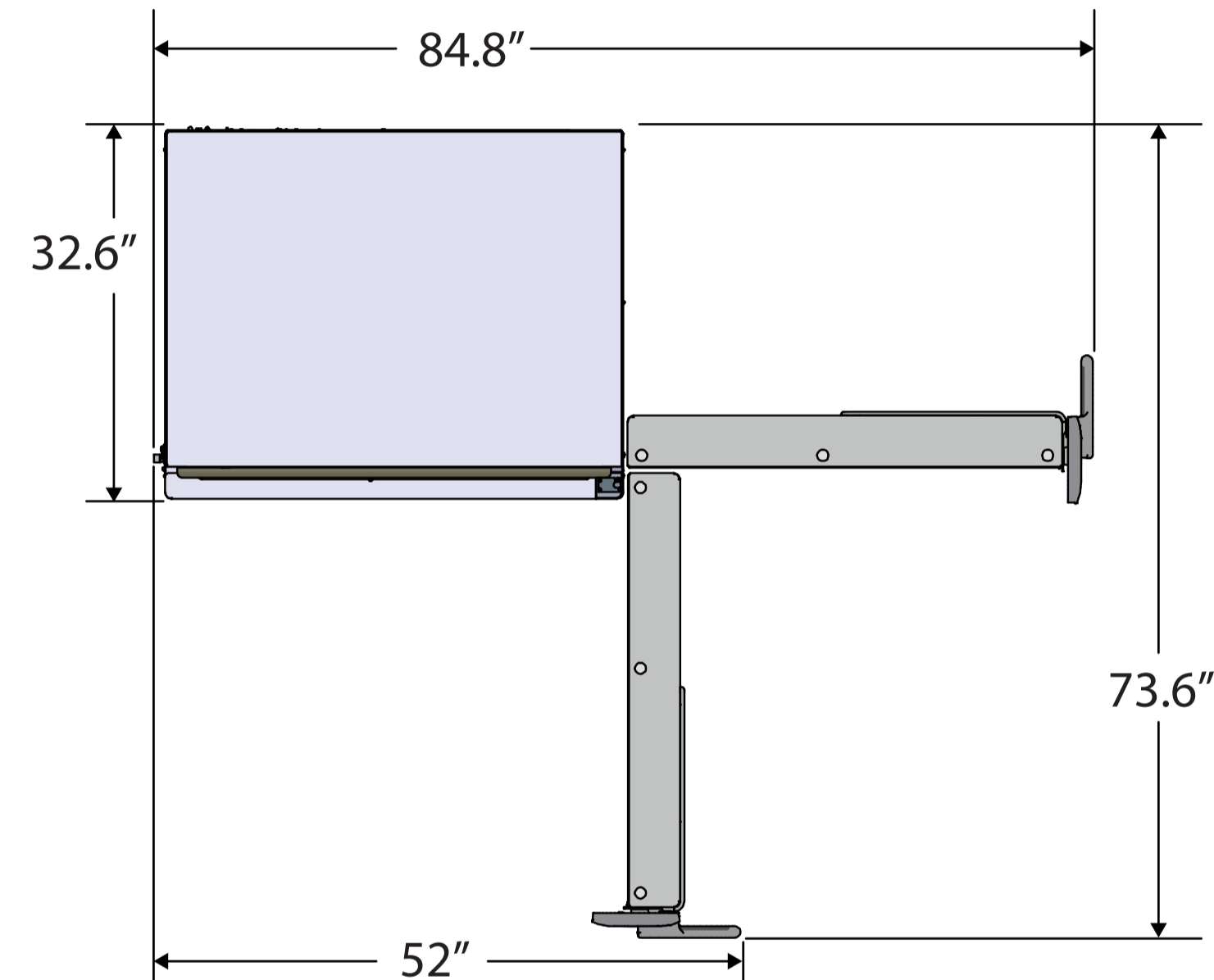
Front View



Side View



Top View



ABS Model	Cu.Ft	Defrost	Ext Door	Int Door	Shelves	W"	D"	H"	H.P.	Amps	Weight	Receptacle
ABT-230V-2186	21	Manual	1	5	4	43.3	36.3	79.6	½ x ½	10	680 lbs.	NEMA-6-15R