

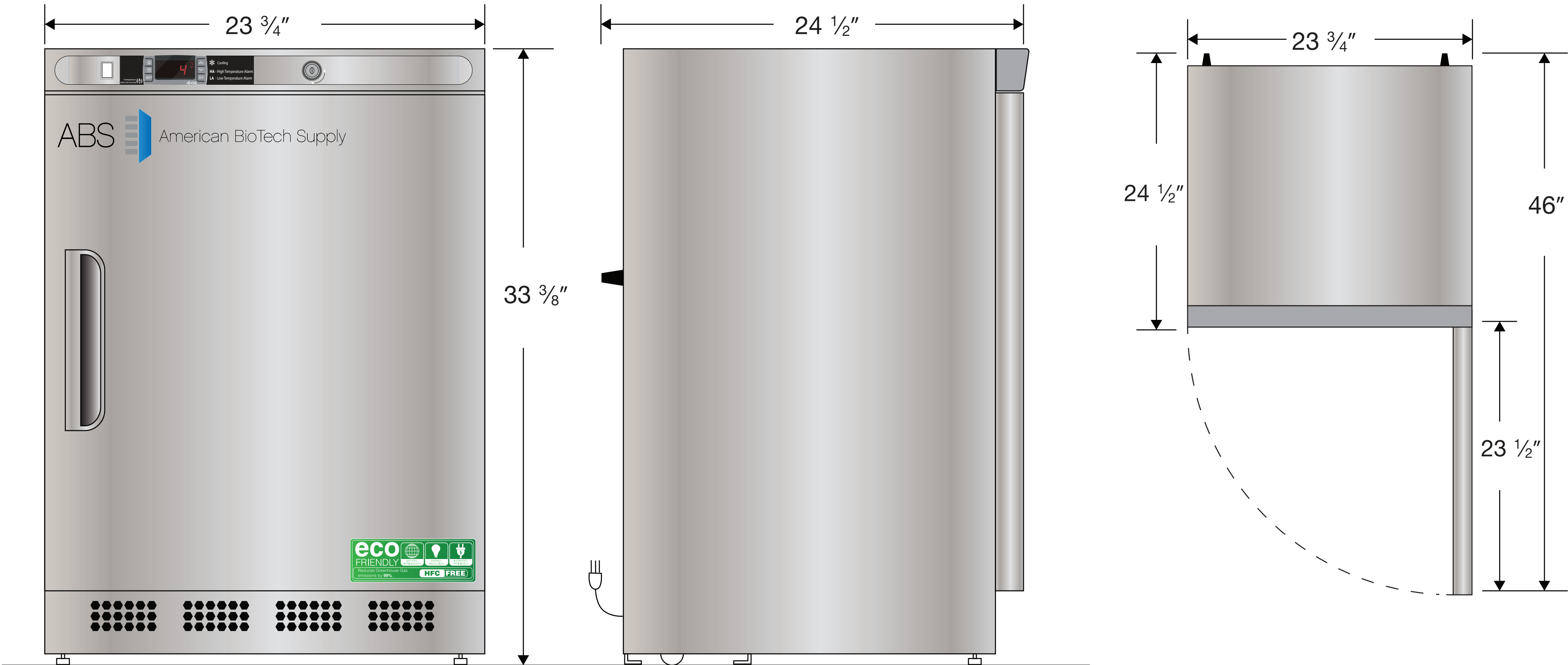
**Exterior Premier  
Undercounter Built-in Refrigerator  
ABT-HC-UCBI-0404SS**

CUTSHEET

Front View

Side View

Top View



115VAC/60Hz/1PH  
NEMA-5-15P

| Cu. Ft | Defrost | Door                 | Int Door | Shelves      | W"     | D"     | H"     | Refrigerant | H.P. | Amps | Weight   |
|--------|---------|----------------------|----------|--------------|--------|--------|--------|-------------|------|------|----------|
| 4.5    | Cycle   | 1 Solid (Reversible) | 0        | 2Adj/1 Fixed | 23 3/4 | 24 1/2 | 33 3/8 | R600a       | 1/8  | 1.74 | 100 lbs. |