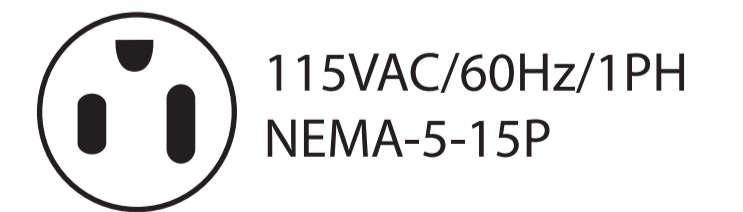
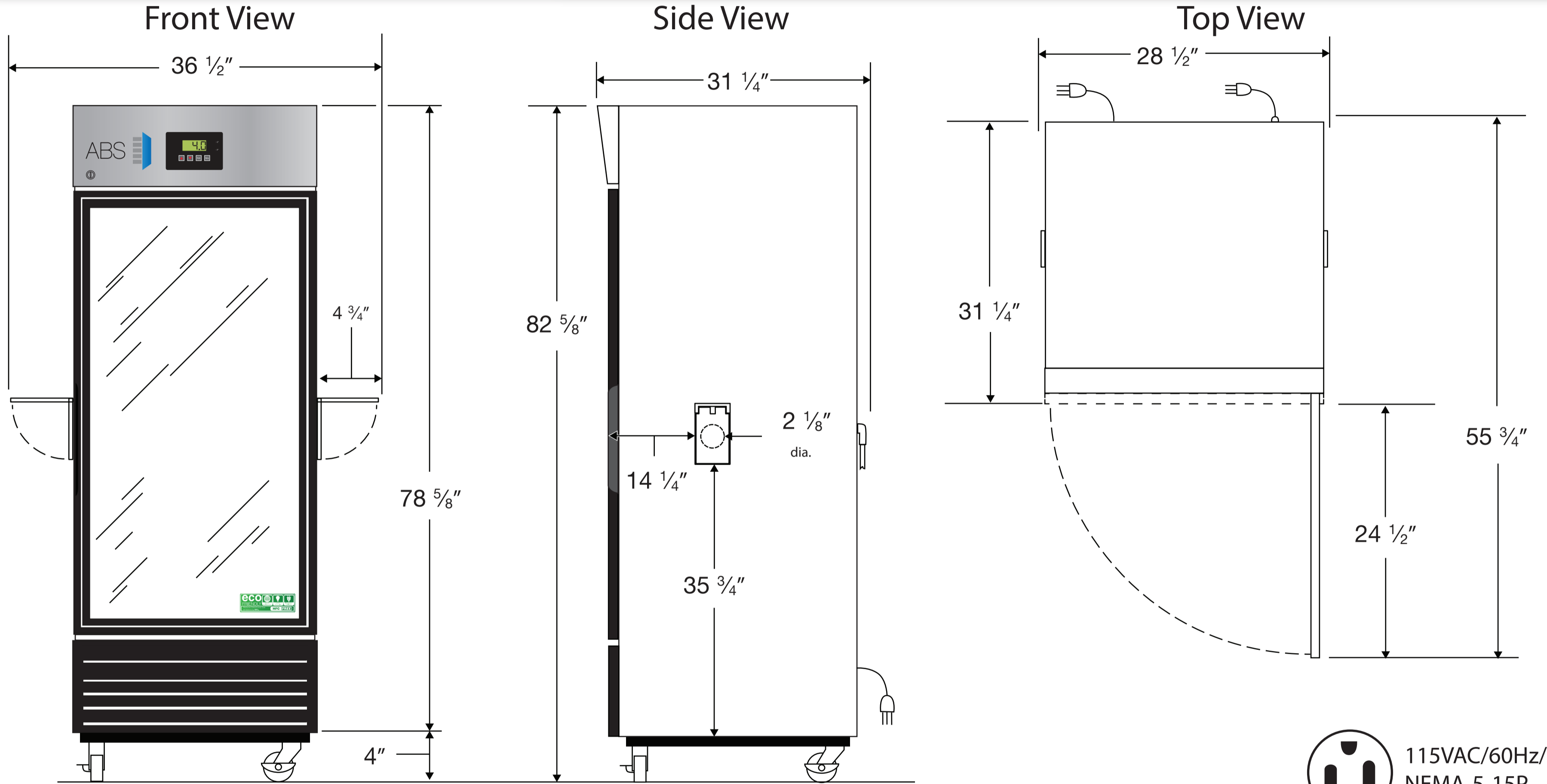


**Exterior
ABT-HC-23C**



Cu. Ft	Defrost	Door	Int Door	Shelves	W"	D"	H"	Refrigerant	H.P.	Amps	Weight
23	Cycle	1 Glass	0	4 Adj	28 1/2	31 1/4	82 5/8	R290	1/3	5.4	335 lbs.