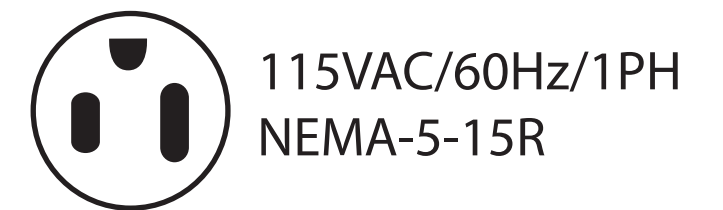
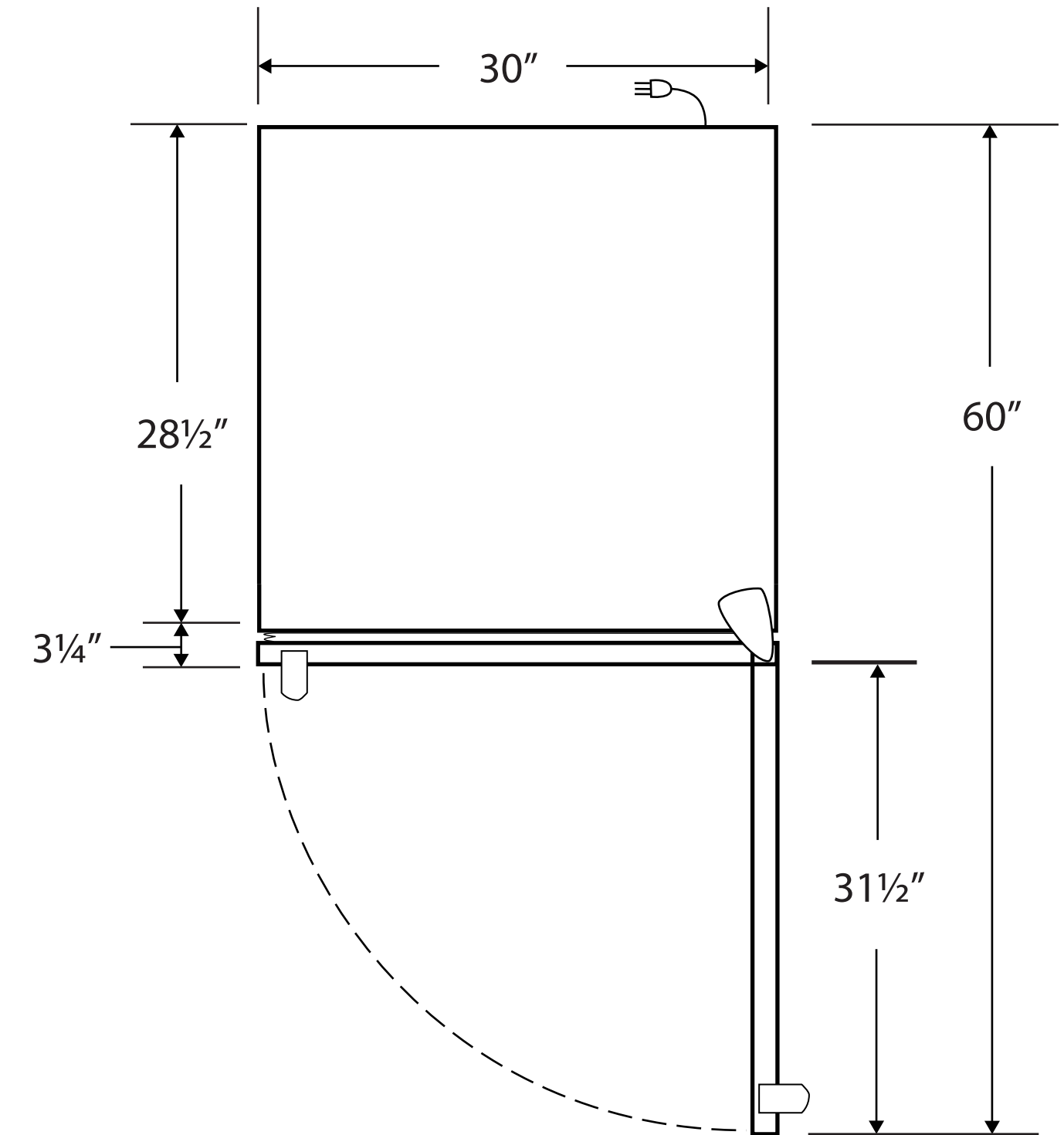
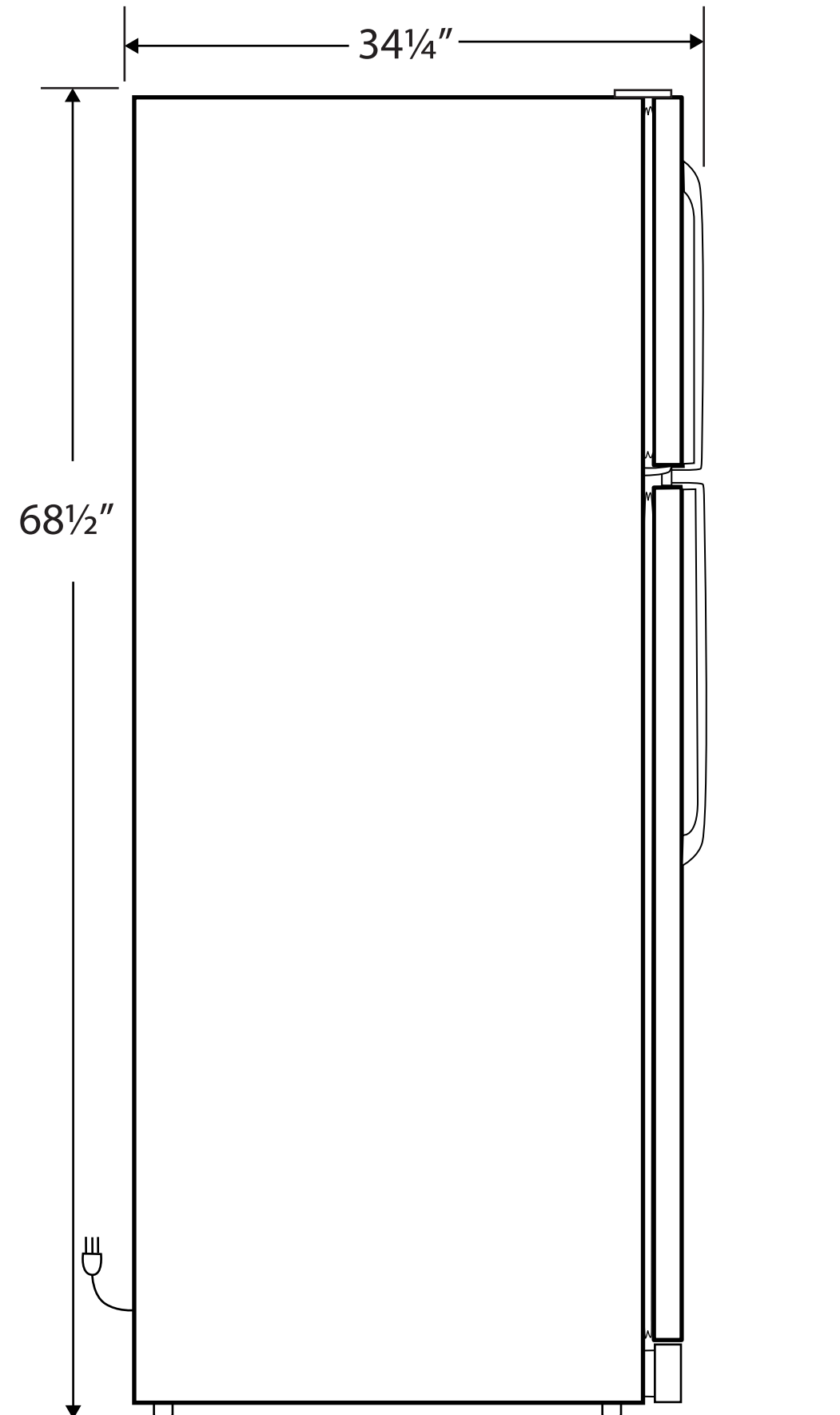
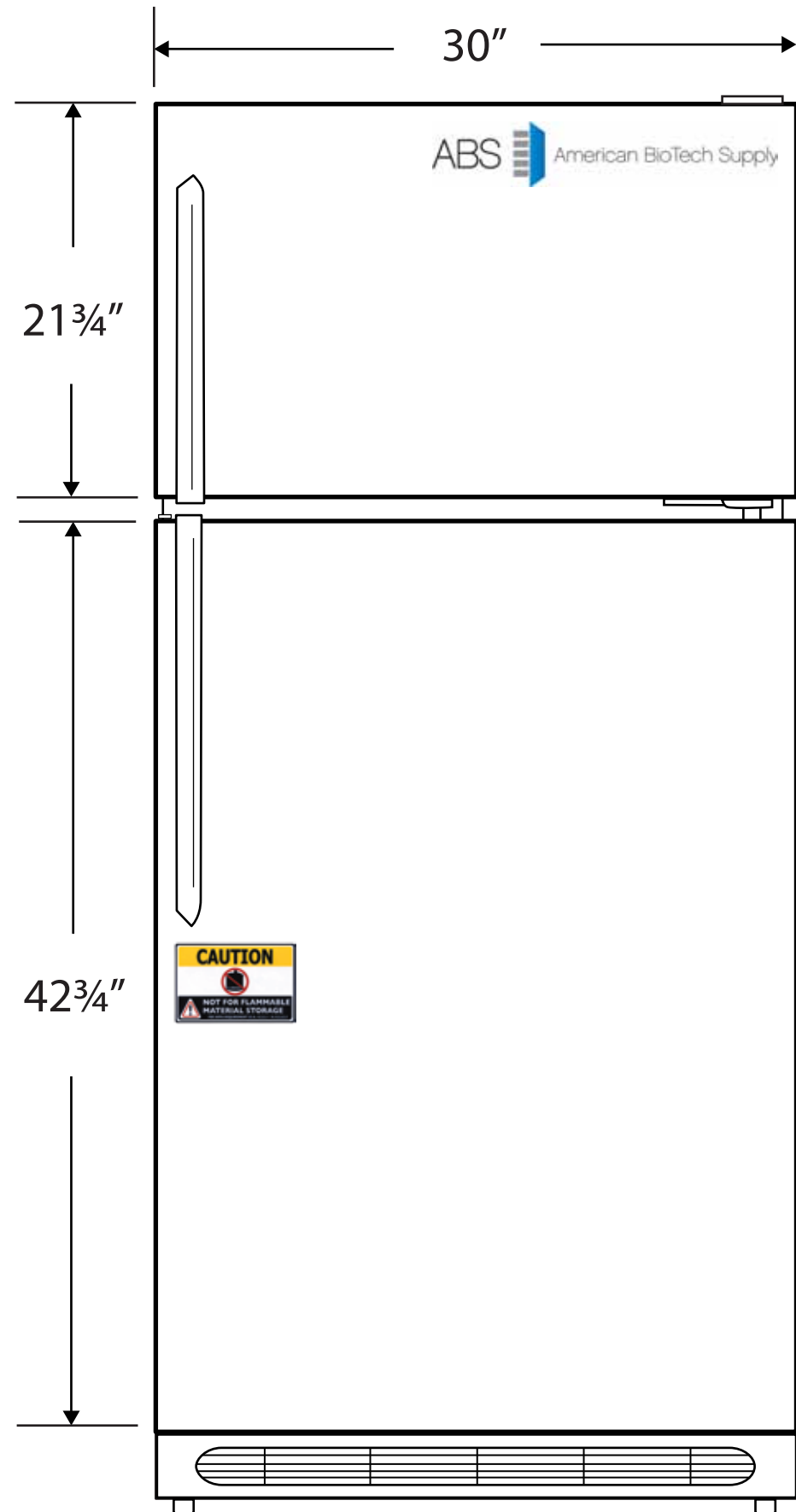


CUTSHEET

Front View

Side View

Top View



Model	Cu. Ft	Defrost	Door	Int Door	Shelves	W"	D"	H"	H.P.	Amps	Weight
ABT-RFC-20A	15.5/5.5	Auto	2 Solid (Reversible)	0	1 Fixed (Freezer) 2Adj/1Fixed (Ref)	30	34 1/4	68 1/2	1/4	6	220 lbs.