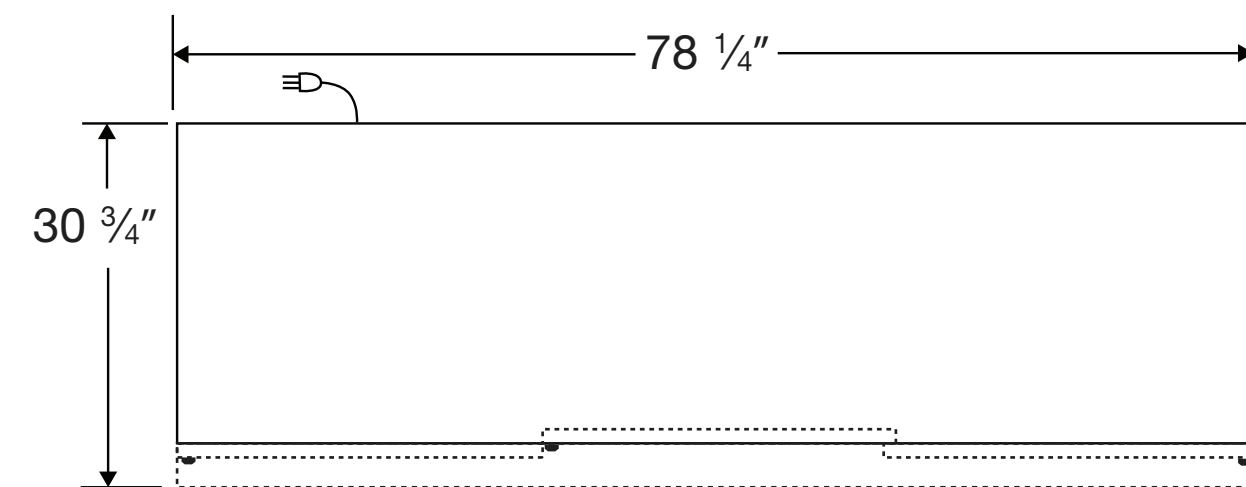
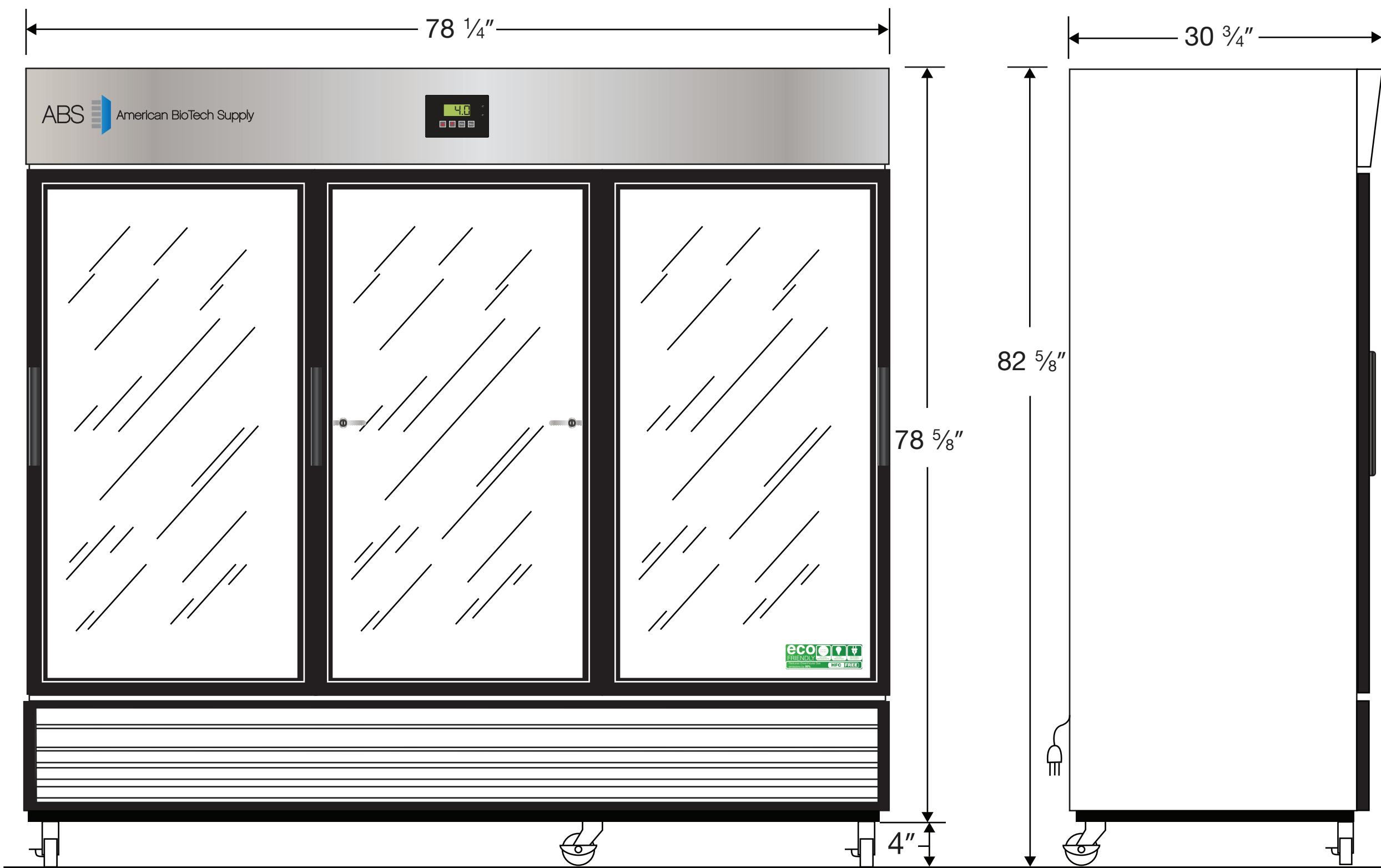


Front View

Side View

Top View



115VAC/60Hz/1PH
NEMA-5-15P

Cu. Ft	Defrost	Door	Int Door	Shelves	W"	D"	H"	Refrigerant	H.P.	Amps	Weight
69	Cycle	3 Slide	0	12 Adj.	78 1/4	30 3/4	82 5/8	R290	1/2	9.3	645 lbs.