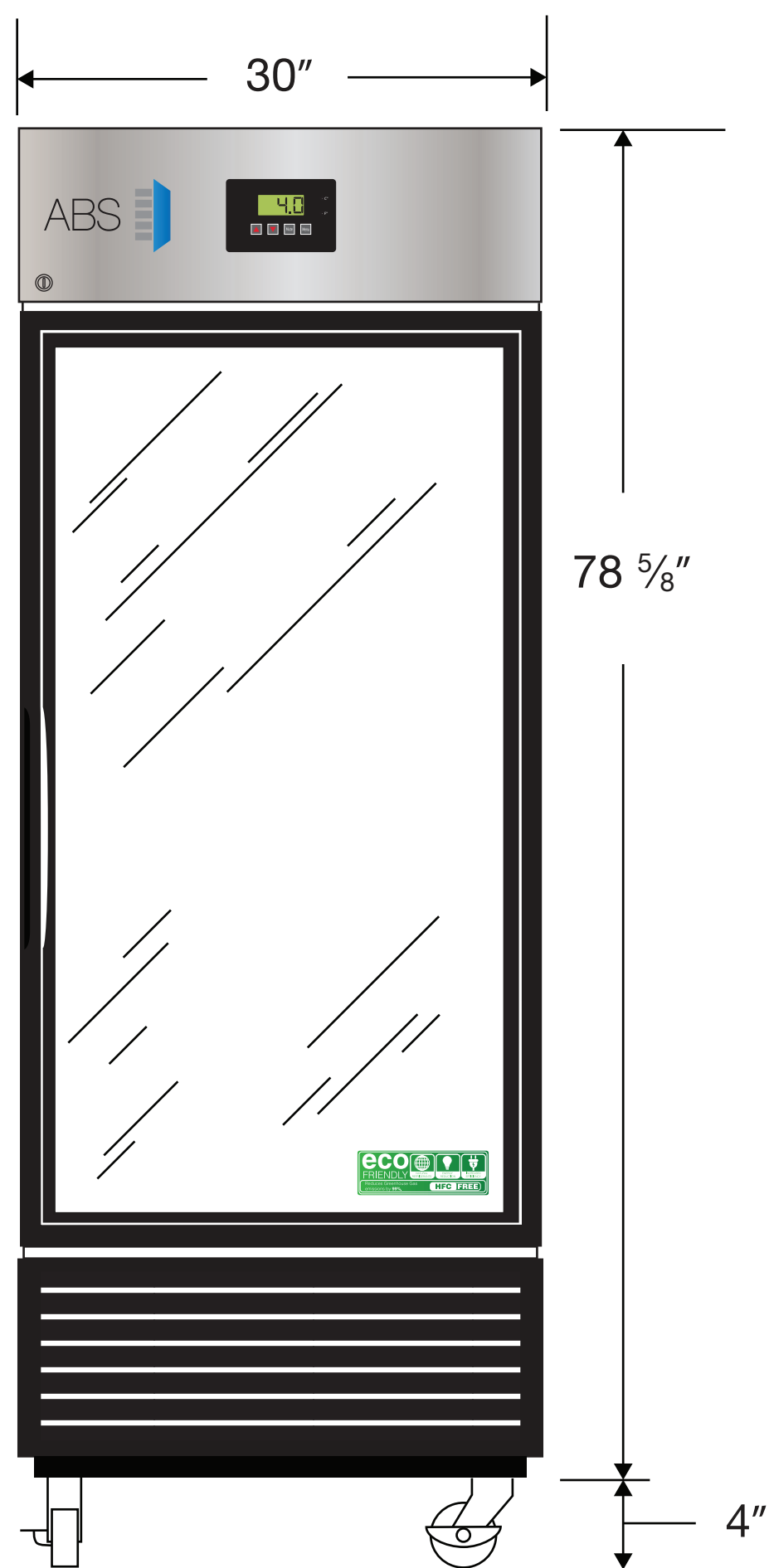
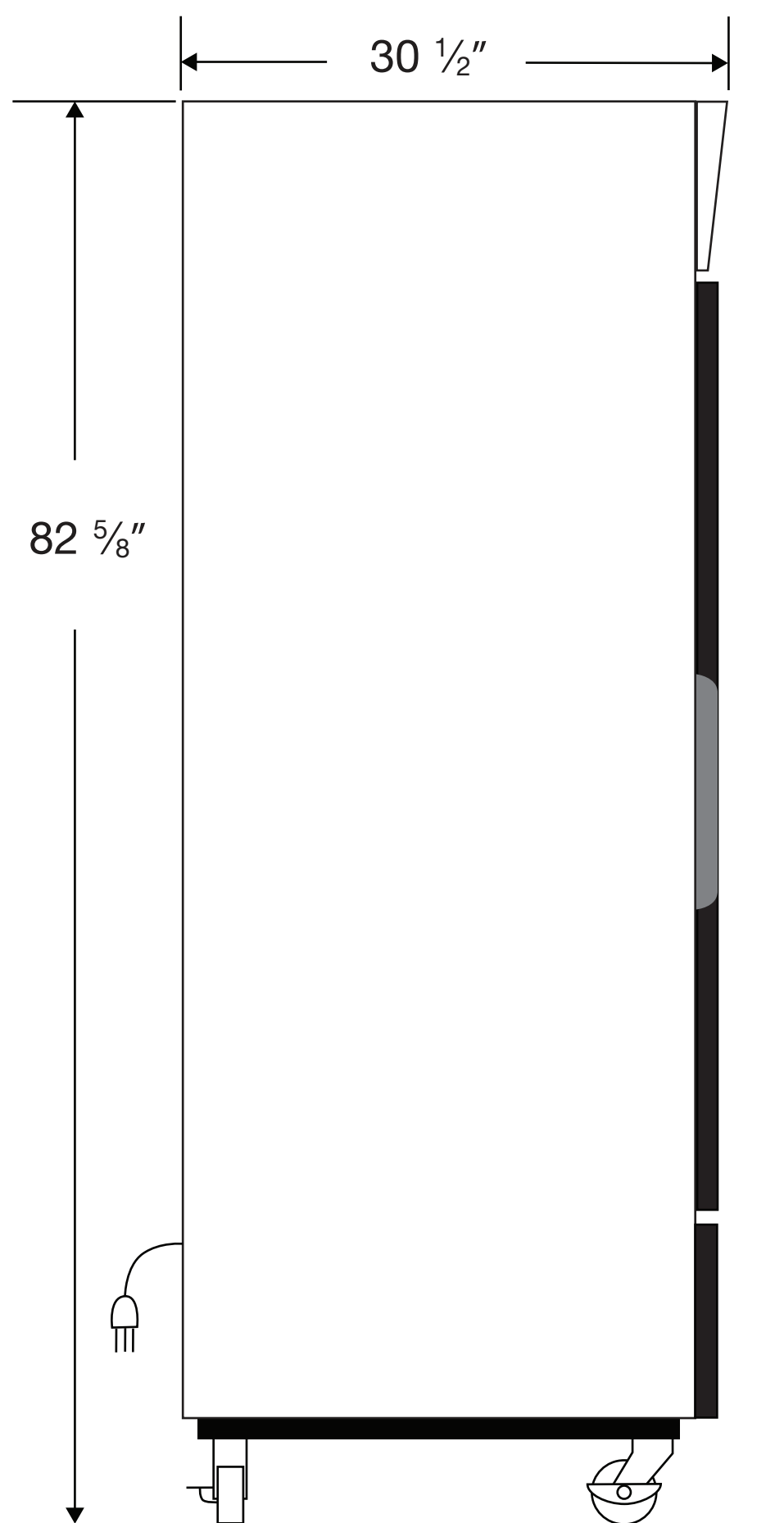


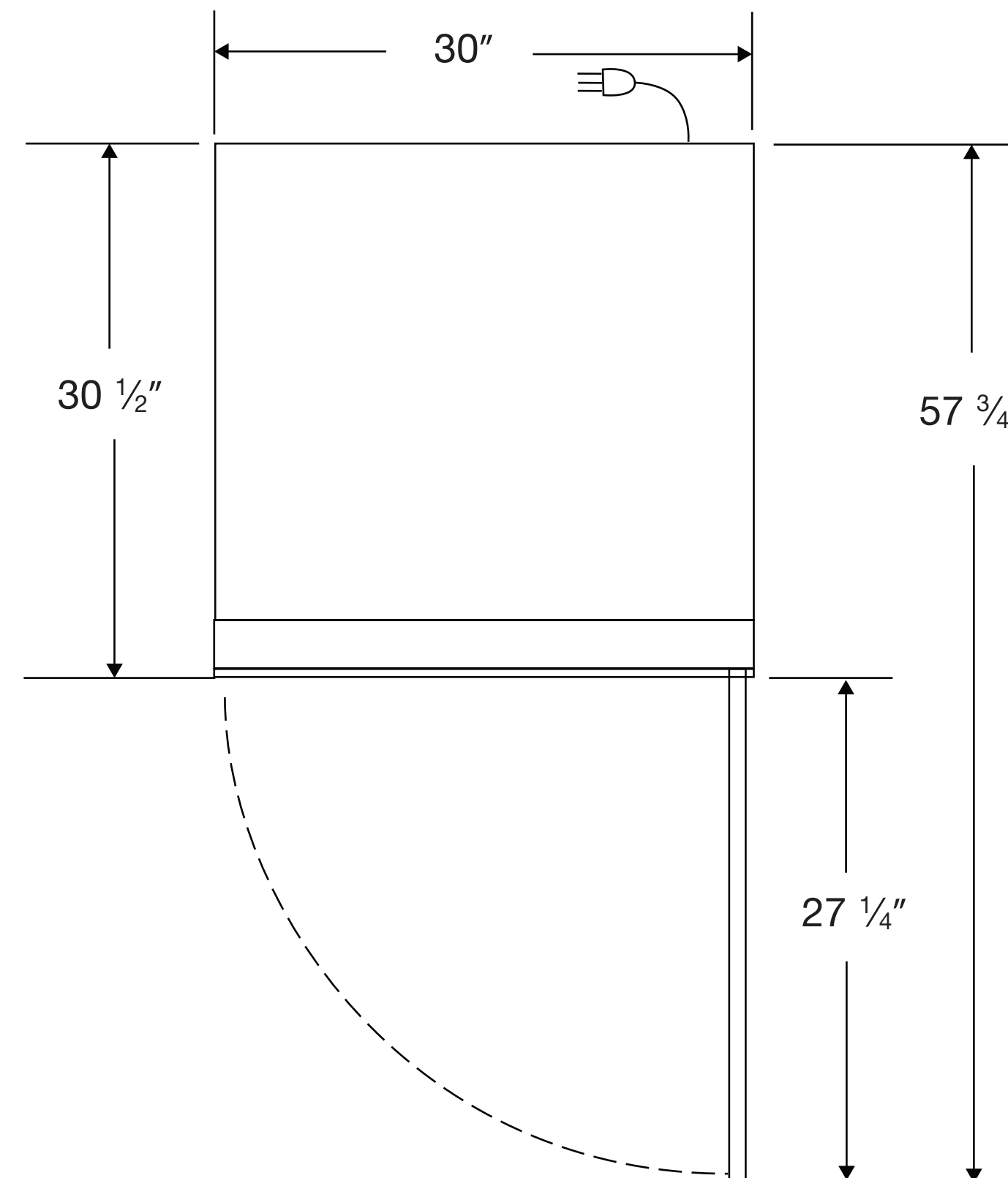
Front View



Side View



Top View



115VAC/60Hz/1PH  
NEMA-5-15P

| Cu. Ft | Defrost | Door    | Int Door | Shelves | W" | D"     | H"     | Refrigerant | H.P. | Amps | Weight   |
|--------|---------|---------|----------|---------|----|--------|--------|-------------|------|------|----------|
| 26     | Cycle   | 1 Glass | 0        | 4 Adj.  | 30 | 30 1/2 | 82 5/8 | R290        | 1/3  | 5.4  | 305 lbs. |