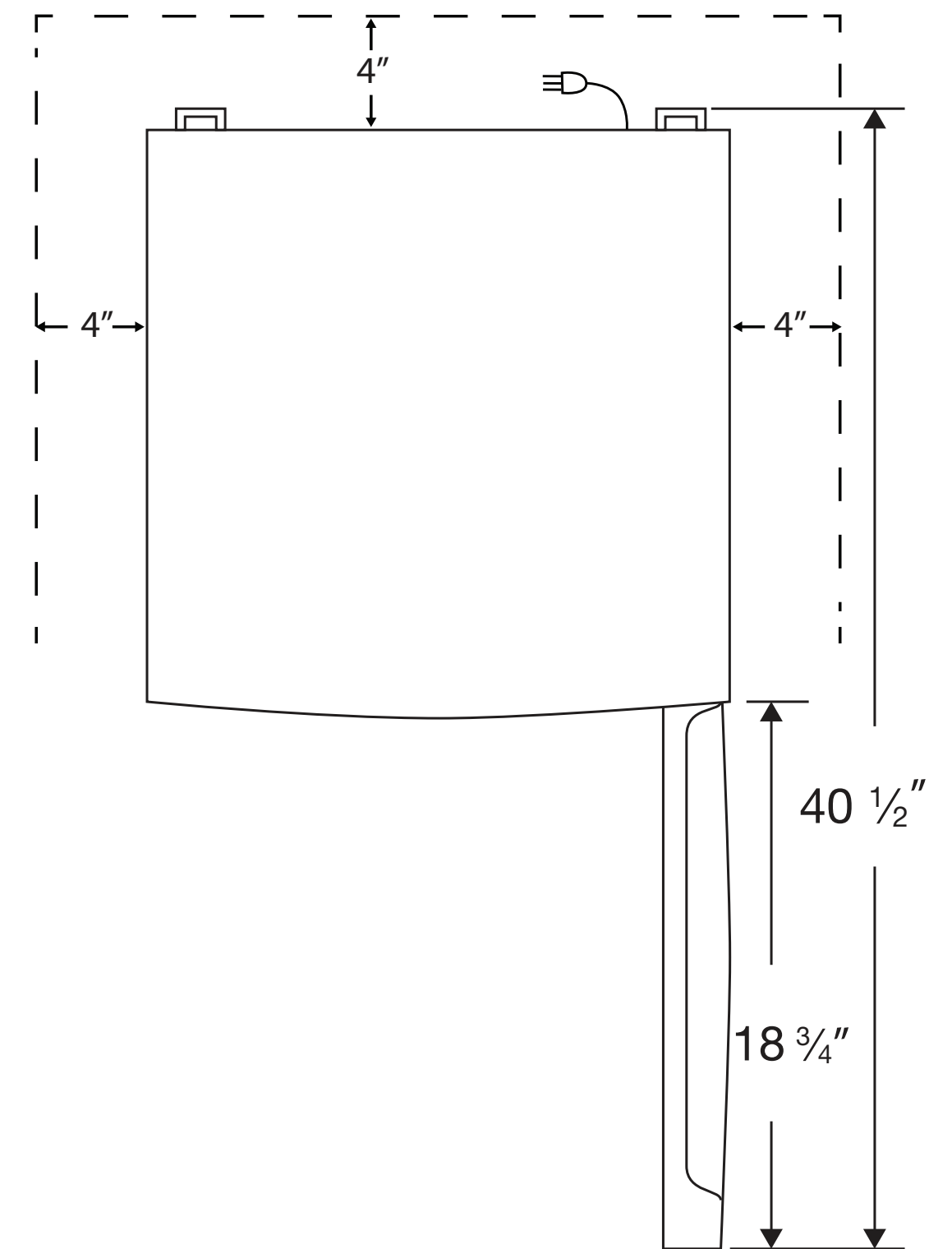
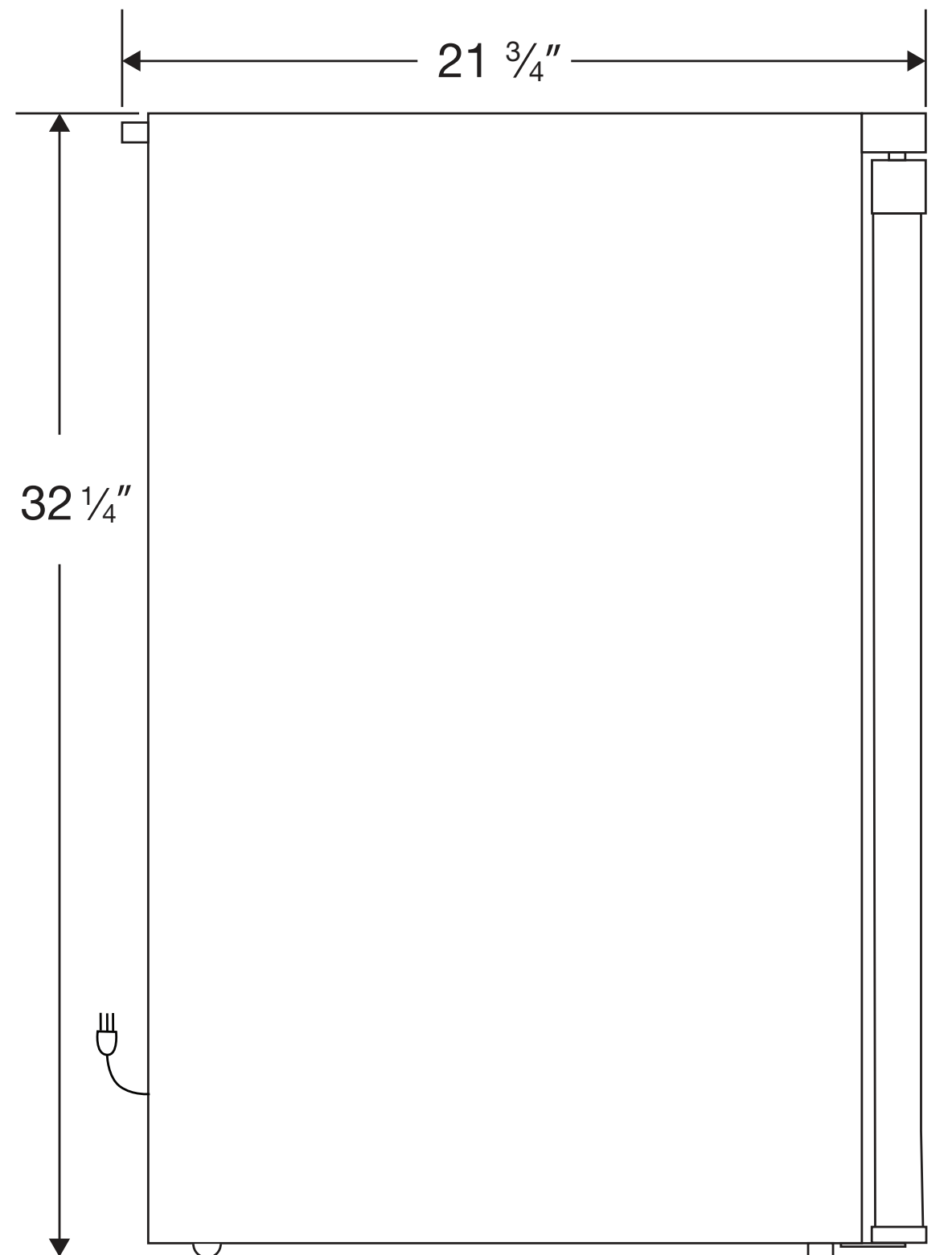
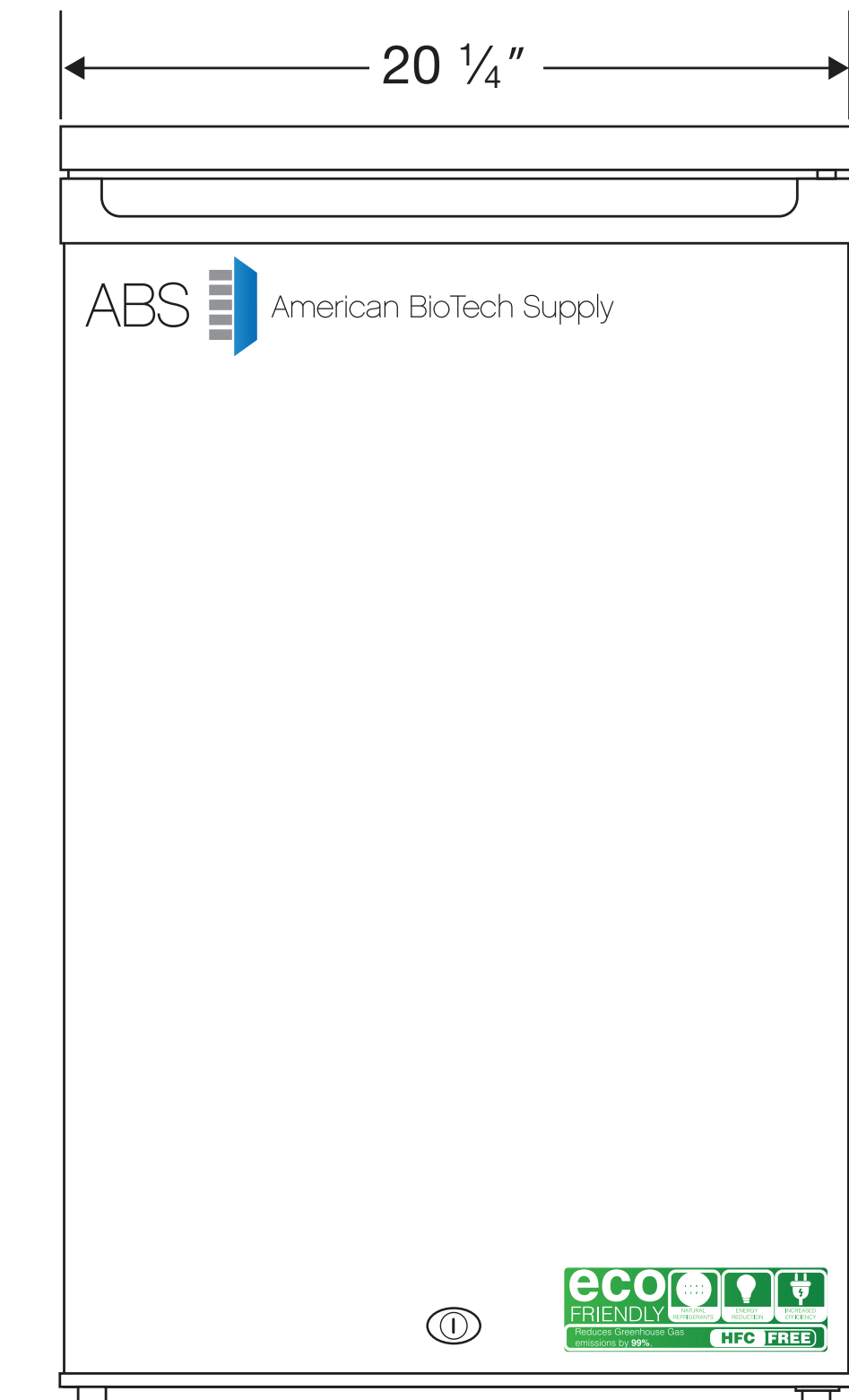


Exterior
ABT-HC-UCFS-0504W

Front View

Side View

Top View



NOTE: Ventilation Requirements – Minimum 4" clearance on sides and back

115VAC/60Hz/1PH
NEMA-5-15P

Cu. Ft	Defrost	Door	Int Door	Shelves	W"	D"	H"	Refrigerant	H.P.	Amps	Weight
5	Cycle	1 Solid	0	2 Adj/1 Fixed	20 1/4	21 3/4	32 1/4	R600a	1/7	.90	69 lbs.