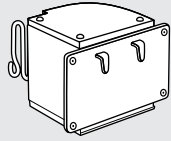


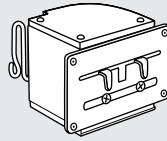
QuickMount®

Parts List:



Standard QuickMount

OR



Adjustable QuickMount



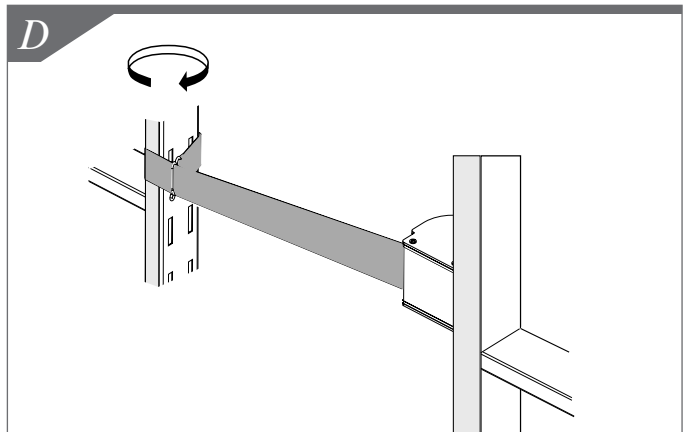
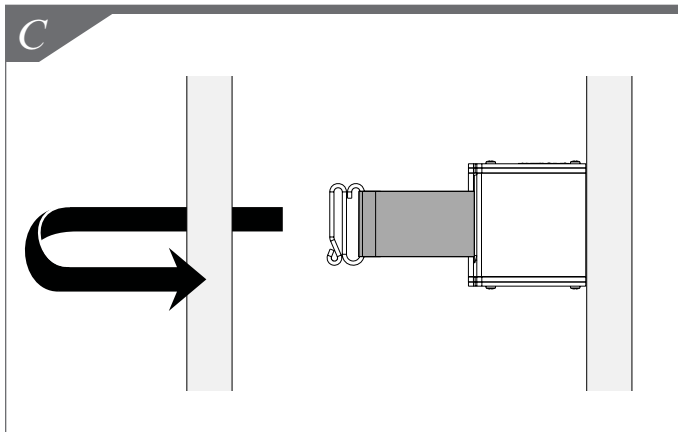
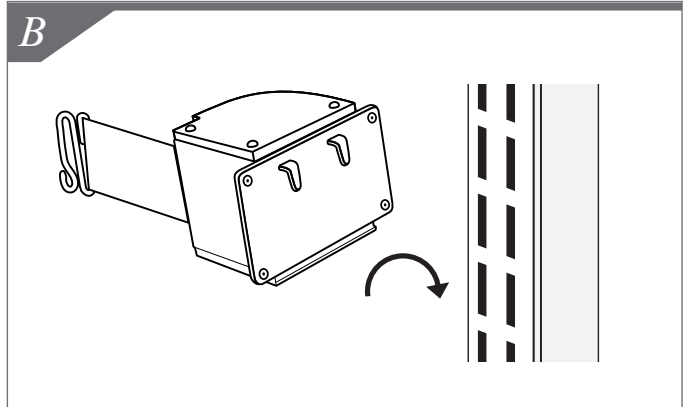
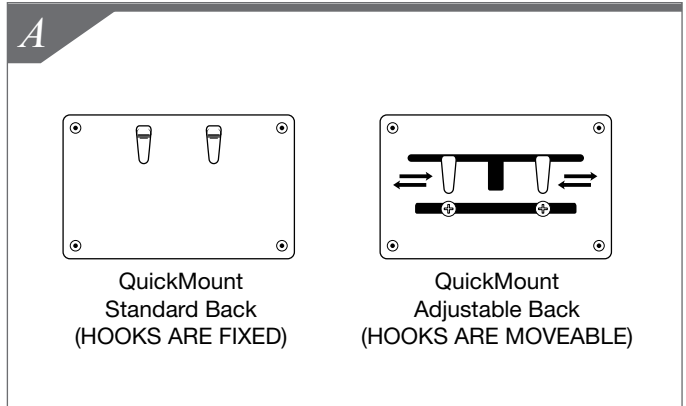
Screw Driver



Goggles

Required Tools

1. Determine desired location for QuickMount. If using an Adjustable QuickMount, observe the slots in your upright rails, slide the hooks on back of QuickMount accordingly and tighten screws. *See Figure A.*
2. Install QuickMount by inserting the back hooks into the rail slots. *See Figure B.*
3. Pull belt by holding belt end and pull across aisle to opposite rack. *See Figure C.*
4. Wrap belt around upright then slide belt end onto belt while making sure belt is tight and secure. *See Figure D.*



Beltrac® Retractable Safety Barriers

Industrial-grade temporary barricades



50-3015

18ft or 24ft

Permanent Wall Mount

Our Standard Wall Mount is ideal for blocking off wide corridors and for temporarily securing lanes. Easily attaches to a wall using 4 screws. Includes wall receptacle. Choose 18ft. or 24ft.



50-3016M

18ft

Warehouse Standard QuickMount®

Temporarily attach our Quick Mount Safety Barrier to your warehouse upright by simply clicking into place. For use with uprights with holes measuring 1.5 inches apart.



50-3016U

18ft

Warehouse Adjustable QuickMount®

The Adjustable Quick Mount Safety Barrier temporarily attaches to your warehouse upright by simply clicking into place. Back clips adjust to fit uprights with holes measuring between 1 inch to 3.5 inches apart.



50-3017

18ft

Warehouse Upright FixedMount®

Create a more permanent safety barrier location within your warehouse using our Fixed Mount Safety Barrier. Securely mounts to warehouse uprights with a quick tightening of the back bolt.



50-3017RM

18ft

Warehouse RackMount®

The Rack Mount Safety Barrier instantly snaps into place on a beam, short wall, or rack wall, providing a temporary safety barrier where you need it. Fits onto a 2.75" wide beam or wall.



50-5550

65ft

JetTrac™ 65-foot Barrier

Create a convenient, always available barrier over an extended area with our swiveling wall-mount. Extends up to 65 feet!