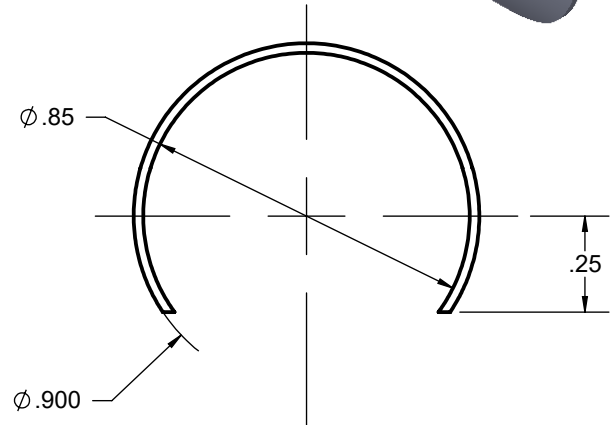
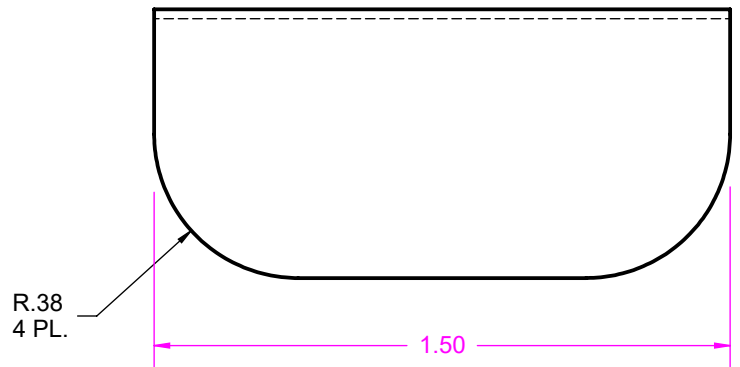
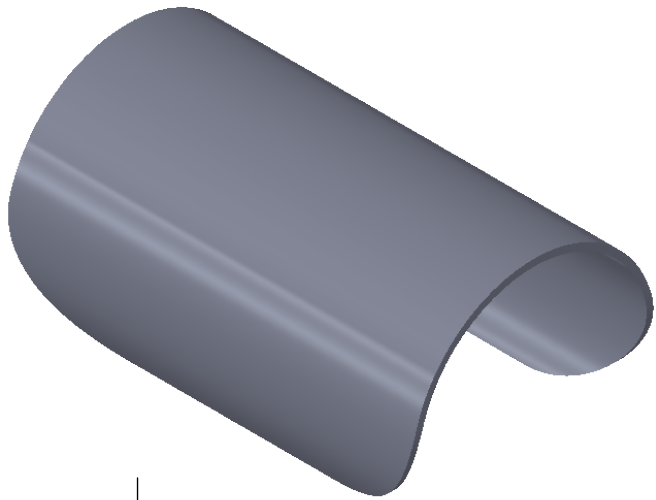


1.00

0 1 2 3 4 5 6 7 8 9


THE INFORMATION CONTAINED IN THIS DRAWING IS THE SOLE PROPERTY OF LAVI INDUSTRIES. ANY REPRODUCTION IN WHOLE OR PART WITHOUT WRITTEN PERMISSION OF LAVI INDUSTRIES IS PROHIBITED.
2010 (c) LAVI INDUSTRIES

A B C D E F G



Primary dimensions are in INCHES
Secondary dims (if present) are in mm
Primary dimensions are basis for final determination of product definition

- NOTES
1. FINISHED ITEM TO BE FREE FROM FLASH, DISTORTION, SINK MARKS OR SHARP EDGES.
 2. IF IN DOUBT PLEASE ASK.
 3. THIS DRG. TO BE READ IN CONJUNCTION WITH 3D CAD DATA FILE.
 4. TOOL GATES AND EJECTION POINTS TO BE AGREED WITH DESIGNER PRIOR TO TOOLING.
 5. PLEASE SEE PO FOR APPROPRIATE FINISH (REQUEST FINISH LEDGER IF NOT INCLUDED)

UNLESS OTHERWISE SPECIFIED (INCHES)			FINISH NOTES:		REVISION: REL01	
FRACS. ±1/32 ANG. ±1° .XX ±.03 .XXX ±.015			COMMENTS:		DO NOT SCALE DRAWING	
ISO 286-2 1988, MACHINING JS 13 FABRICATION JS 16			 LAVI INDUSTRIES 27810 AVENUE HOPKINS VALENCIA, CA. 91355 Toll Free: (800) 624 6225 Eng Dept: (661) 219 3141		LAVI INDUSTRIES	
NAME DATE SIGNATURE						
DRAWN terryt 7/11/2011					DWG NO. XX-830-1	
CHK'D					MATERIAL:	
MFG					WEIGHT:	
Q.A			SCALE:2:1		SHEET 1 OF 1	
APPV'D						