



5" Riser Tables

Stainless Steel Riser Tables



Use your smart phone to scan the above QR code to visit our website:
www.bk-resources.com



Certifications:



Features:

- Two (2) Sound Deadened Integrally Welded 5" "C" Channels to Reinforce and Maintain Level Working Surface
- Legs 1 5/8" Diameter
- 5" Riser
- 84" & 96" Have 6 Legs

Options:

- Single & Double Overshelves
- Drawer Assemblies
- Casters
- Upgraded Bullet Feet
- Extra Shelves
- Adjustable Table Mount Pot Rack

Material:

CVTR5 Series: S/S w/ Stainless Steel Legs & Undershelf

- T-304 16 ga. Stainless Steel Top
- Stainless Steel Legs & Adjustable Undershelf
- Adjustable Stainless Steel Feet

CTTR5 Series: S/S w/ Galvanized Legs & Undershelf

- T-304 16 ga. Stainless Steel Top
- Galvanized Legs & Adjustable Undershelf
- Adjustable High Impact Corrosion Resistant Feet

CVTR5 Series

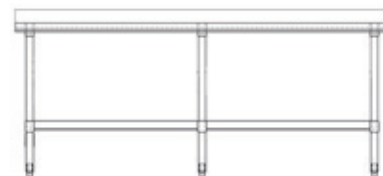
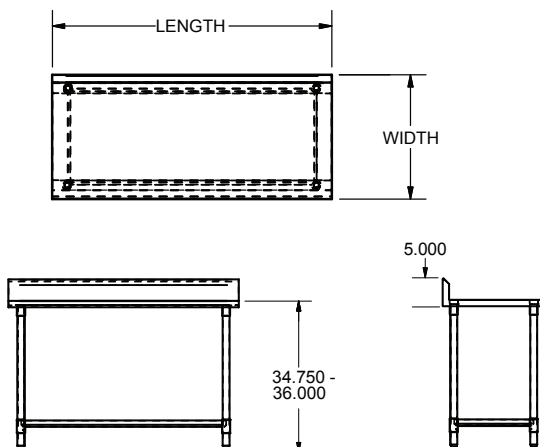
S/S w/ S/S Legs & Undershelf

Length	T-304 S/S 30" Width	T-304 S/S 24" Width
36"	CVTR5-3630	-
48"	CVTR5-4830	-
60"	CVTR5-6030	-
72"	CVTR5-7230	-
84"	CVTR5-8430	CVTR5-8424
96"	CVTR5-9630	-

CTTR5 Series

S/S w/ Galv. Legs & Undershelf

T-304 S/S 30" Width
CTTR5-3630
CTTR5-4830
CTTR5-6030
CTTR5-7230
CTTR5-8430
CTTR5-9630



TABLES 7 FT. AND LARGER ARE FURNISHED WITH SIX (6) LEGS

PRODUCT DATA SHEET

BK RESOURCES

