



VENTED ROOM HEATERS

Enjoy instant warmth plus lower heating cost with traditional enclosed glass-front “fireplace-look” heaters. These vented room heaters provide comfort for hard-to-heat areas and are designed to give you maximum efficiency, low fuel consumption and quiet operation.

FEATURES

- No electricity required
- “Matchless” pilot igniter
- Burners engineered for quiet operation and maximum heat efficiency
- Louvered-top design and front grille for improved heat circulation
- Factory-installed ceramic fiber logs *(fireplace-look models)*
- Natural or propane models *(conversion kits available)*
- Automatic temperature and safety controls
- Resettable vent-limit safety switch



35,000 - 65,000 BTU/hr.



20,000 BTU/hr.
ENCLOSED COMPACT MODEL
FOR SMALLER ROOMS



35,000 - 65,000 BTU/hr.





VENTED ROOM HEATERS

MODEL NUMBER		BUT/hr. INPUT	BTU/hr. OUTPUT	EFFICIENCY PERCENT		DIMENSIONS (INCHES)			VENT SIZE INCHES	SHIPPING WEIGHT LBS.
NATURAL	PROPANE			THERMAL	AFUE	WIDTH	DEPTH	HEIGHT		
ENCLOSED FRONT MODELS										
CONVERSION KITS AVAILABLE										
2001622A	2001621A	20,000	15,500	77.5	71.0	23	11	21½	3	45
3501522A	3501521A	35,000	25,000	71.0	68.0	25	15 ¾	28 7/8	4	74
5001522A	5001521A	50,000	34,500	69.0	68.0	30	16	32 7/8	4	103
6501522A	6501521A	65,000	47,000	72.0	70.0	34	19 5/8	32 7/8	5	128
GLASS FRONT "FIREPLACE" MODELS										
3502522A	-	35,000	25,000	71.0	68.0	25	15 ¾	28 7/8	4	81
5002522A	-	50,000	34,500	69.0	68.0	30	16	32 7/8	4	108
6502522A	-	65,000	47,000	72.0	70.0	34	19 5/8	32 7/8	5	135

Elevation rating from sea level to 2,000'

Consult Owner's Manual for installation of product at elevations over 2000'

1/2" Gas Connection

FEATURES

"MATCHLESS" PILOT IGNITER

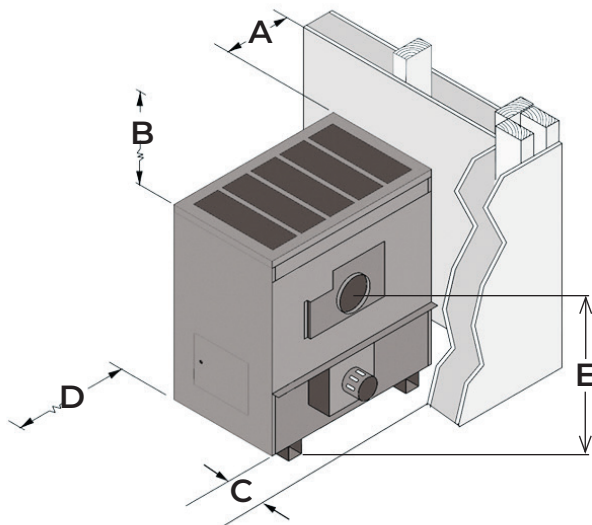
All models include a "matchless" pilot igniter that assures convenient pilot lighting without matches.

CONTEMPORARY FINISH

Black, powder-coat, heat-resistant finish to compliment any decor.

INTERIOR FURNACE CLEARANCES

MODEL SERIES	A	B	C	D	E
200 SERIES	2	36	3	24	17
350 SERIES	6	57	6	24	21 ¼
500 SERIES	6	57	6	24	23
650 SERIES	6	57	6	24	25 ½

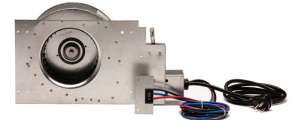


ACCESSORIES

THERMOSTAT SOLD SEPARATELY part number P322016

BLOWER

MODEL 2102 quiet, heavy-duty blower is available for larger rooms where faster heat circulation is desired. 150 CFM, 120V. Shipping weight 9 lbs.



FLOORBOARDS

Contemporary black color to match the heater with scratch-resistant powder-coat finish.

Model 4163 for 50,000 and 65,000 BTU/hr. models. (Oversized) shipping weight 16 lbs.

Model 4167 for 20,000 and 35,000 BTU/hr. models. (Oversized) shipping weight 10 lbs.

CONVERSION KITS

MODEL SERIES	NATURAL TO PROPANE	PROPANE TO NATURAL
200 SERIES	8945	8949
350 SERIES	8946	8950
500 SERIES	8947	8951
650 SERIES	8948	8952



IMPORTANT

- Read owner's manual before using/installing.
- Photographs are representative only.
- Check local codes and ordinances for permitted uses.
- Consult installation manual for clearances prior to installation.
- We reserve the right to amend product specifications without notice.
- Installation and servicing recommended by a qualified service person.
- Please read the warranty for any limitations of disclaimers. Combustion chamber carries a 10-year limited warranty. All other parts carry a one-year limited warranty.
- Venting must comply with the "Venting and Chimney Requirements" section of the instruction manual.
- Massachusetts Approval G3-0816-23.



WARNING: This product can expose you to chemicals can which is known including to the State epichlorohydrin of defects California to and/or cause other cancer reproductive and birth harm. For more information go to www.p65warnings.ca.gov