

Owner's Manual

LGR 6000Li Portable Dehumidifier

Model 103614 (F600)
Legend Brands, Inc.

15180 Josh Wilson Road, Burlington, WA 98233

Phone: 800-932-3030 Fax: 360-757-7950 LegendBrandsRestoration.com

The Dri-Eaz® LGR 6000Li dehumidifier reduces humidity in enclosed environments by removing water vapor from the air. The 6000Li is rugged, durable and highly portable, making it ideal for water damage restoration, structural drying, construction, and other applications requiring temporary, high-performance dehumidification.

Patents: LBpatents.com

READ AND UNDERSTAND BEFORE OPERATING

⚠️ WARNING



SAFETY INSTRUCTIONS

WARNING! Do not alter or modify your dehumidifier in any way. Use only replacement parts authorized by Legend Brands, Inc., Modifications or use of unapproved parts could create a hazard and will void your warranty. Contact your authorized distributor for assistance.

WARNING! Electric shock hazard, rotating fan, hot surface hazards. Unplug unit before opening cover for cleaning or servicing. Unit must be grounded.

CORRECT PLUG REMOVAL *Grasp IEC plug and pull straight out*

IMPORTANT: Damage to IEC receptacle or dehumidifier resulting from improper removal of the power cord is not covered by warranty. The IEC power cord is a wear item and is not covered by warranty.



- Inspect the power cord before use. If cord is damaged, do not use. Always grasp the plug (not the cord) to unplug.
- Insert three-prong plug on power cord into a matching electrically grounded outlet. Do not use adapter. Never cut off third prong. Do not use an extension cord.
- The unit must be operated on a 115V/60Hz circuit protected by a Ground Fault Circuit Interrupter (GFCI) device.
- Keep motor and wiring dry.
- Do not attempt to repair the unit. For Authorized Service Centers, contact Dri-Eaz.

NOTICE: Do not use in environments where corrosive chemicals are present, such as chlorine.

BEFORE YOU BEGIN

Warranty registration

Visit Warranty.LegendBrandsRestoration.com to register your purchase. Registration allows us to better assist you with using, maintaining or servicing your equipment and to contact you in case we have important safety information concerning your Dri-Eaz product. If you determine service is required, have your equipment model, serial number and original proof of purchase available and call your distributor for assistance with obtaining a return material authorization (RMA).

CONTROLS AND OPERATING INSTRUCTIONS

Set unit upright

NOTICE: Transporting or storing the unit in a horizontal position is not recommended. When the machine is placed in a horizontal position, the oil from the compressor can flow into the refrigerant coils and reduce the ability of the dehumidifier to function and possibly damage the unit. If the unit has been placed in a horizontal position, set it

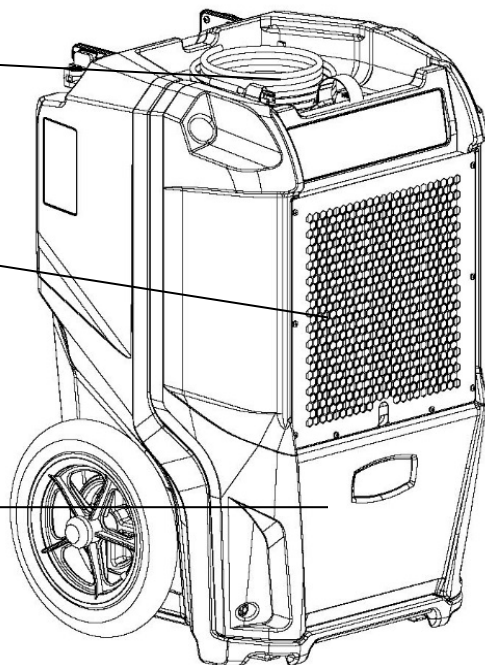
FIG A: PARTS IDENTIFICATION

FRONT

Power cord and
drain hose
storage.

Humid air inlet.
Air filter.

Front panel. Remove to
access the pump and
coils for cleaning. See
Fig. B.



REAR

Integrated handle. Use the
red lever to lock handle
upright for use or down
for loading or storage.

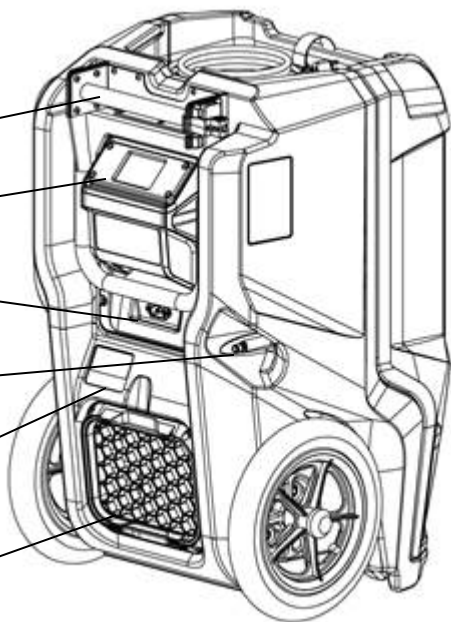
Control panel.

Power cord
socket.

Drain hose quick-
connect.

Model serial
number label

Process (dehumidified)
air outlet.



Positioning a Dehumidifier

For best results, operate your dehumidifier in an enclosed area. Close all doors and windows to maximize the unit's water removal efficiency. Place your dehumidifier away from obstructions and keep it away from anything that could obstruct airflow into and out of the unit.

Extend handle

Release the handle by rotating red locking lever outward, then lift handle up into place. Rotate red lever back into locked position to secure handle in operating position.

NOTICE: Do not use the extended handle to lift the unit off the ground horizontally. Do not use the extended handle as an attachment point to strap the unit in a vehicle for transport. These uses will place undue strain on the handle attachment points in the housing.

Set up drain hose

This unit automatically pumps out water on a regular basis. This dehumidifier is equipped with a quick-connect fitting for attachment to the provided drain hose located in the tray on top of the unit. Unwrap the entire hose and place the open end in a sink, drain, bucket or outdoors – anywhere that water can drain out safely. If you use a bucket or other container for water collection, check it regularly to prevent overflows.

NOTICE: Uncoil and straighten the entire drain hose. Do not leave any part of the hose coiled on the unit and do not place the end of the hose higher than 20 ft. (6 m) above the bottom of the unit. Also check for kinks or other obstructions that might restrict the flow of water. A kink or blockage will cause the unit to turn off and produce an error message on the control panel.

Plug in electrical cord

The dehumidifier should be plugged into a GFCI-protected 115 volt outlet rated for at least 15 amps. Remove the cord from the storage tray and uncoil it. Always plug the cord firmly into the unit first, and then plug the other end into a suitable electrical outlet.

upright and let it stand for at least 30 minutes before turning it on.

HOW TO USE THE CONTROL PANEL


The i-Series Controller provides comprehensive dehumidifier controls and detailed real-time data about the drying environment as well as job hours, self-diagnosis messages, maintenance reminders and operating status.


For detailed information and additional instructions, please visit the i-Series Controller page at Controller.LegendBrandsRestoration.com


Home Screen Views

Unit OFF
Unit must be plugged in.

Top display bar:
Job hours, current time

Press  MENU to access settings and configuration controls




Press  PURGE to pump out condensate tank

Press  ON/OFF to turn unit on.

Job 0.0h Thu Sep 17 2:27 PM

Inlet	Outlet
--	--
--	--

OFF


  


Unit ON
Press ON/OFF key to switch unit on.


Top display bar:
Job hours, current time


Information display:
Inlet/Outlet temp, %RH and GPP
Current GPP removal

Bottom menu bar:

 Quick-Reference Inlet GPP.
1: < 60 GPP; 2: 60–90 GPP; 3: > 90 GPP

Press  MENU to access settings and configuration controls




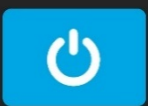
Press  PURGE to pump out condensate tank

Press  ON/OFF to turn unit off.

Job 0.0h Thu Sep 17 2:27 PM

Inlet	Outlet
80.0°F 60%	107.1°F 48%
91 GPP	67 GPP

Δ24 GPP

For detailed control panel instructions, please visit the i-Series Controller product page at Controller.LegendBrandsRestoration.com

ERRORS AND WARNINGS

If the control system detects a problem, it will display an "Alert" symbol in the upper right corner of the screen. Press ON/OFF to view the message and OK to clear the message. NOTE: In the case of an error, the unit will not operate until the problem is resolved. Refer to the explanations and solutions shown below. If these solutions do not fix the problem, contact your local authorized service center for further assistance.

CONTROL PANEL MESSAGE	EXPLANATION AND SOLUTION
ER4 Error Defrost Thermistor Connect —or— ER4 Error Outlet Thermistor Connect	Temp sensor is open, missing, or shorted. Check that temp sensors are installed correctly on control panel. If error persists, contact service.
ER5 Error Inlet RH1 Temp/RH Sensor	Inlet Temp/RH sensor is open, missing, or shorted. Check that inlet temp/RH sensor is installed correctly on control panel and inlet shroud. If error persists, contact service.
ER6 Error Current Sensor Failure	Current sensor failure. If error persists, contact service.
ER9 Error Pump Blocked	Check for obstructions in drain hose. Check the pump.
W1 Low BATTERY	Replace coin cell battery (3V, CR2032) on control panel.
W2 BLE Error W3 Flash Reset W4 WDT Reset	Cycle power to dehumidifier. If warning persists, contact service.

AT THE END OF THE JOB

To reduce the possibility of drips when moving the unit, follow these additional steps to ensure that all water is removed from the unit.

NOTICE: The unit will complete the defrost cycle even if the unit is turned off **but still plugged in**. If the unit is unplugged during the defrost cycle, excessive water may accumulate in the unit and may drip out when you move the unit.

NOTICE: To ensure the condensate tank empties completely while purging, make sure the unit is placed upright on a horizontal surface.

1. Do not turn unit off or move it until it has returned to normal operating mode.

2. Gently rock the machine to ensure any water remaining on interior surfaces falls into the sump area.

3. Press the PURGE key. When the purge cycle is complete, turn the unit off.

4. Remove the external drain hose, drain it carefully, coil it and return it to the storage tray on the top of the unit.

TRANSPORTATION AND STORAGE

IMPORTANT: Before moving, transporting or storing, purge unit and stow hose and power cord as described in the "At the End of the Job" section above.

NOTICE: Handle the unit carefully. Do not drop, throw or place the unit where it could fall. Rough treatment can damage the dehumidifier and may create a hazardous condition or void the warranty.

- Do not expose the control panel to moisture, snow or rain.

- Store and transport securely to avoid any damaging impact to internal parts.
- Secure during transport to prevent sliding and possible injury to vehicle occupants.
- Do not transport or store the unit on its front, sides or back. This will help to prevent any remaining moisture from escaping from the unit or flowing into areas outside the sump.

MAINTENANCE SCHEDULE

WARNING! ELECTRIC SHOCK HAZARD. Unplug the dehumidifier before performing any maintenance.

WARNING: Risk of dust and contaminants exposure. Use of respirator mask and gloves is recommended. If unit has been exposed to potentially dangerous contaminants, clean thoroughly and sanitize before reuse.

NOTICE: The unit is fitted with sensitive electronic sensors. Protect the sensors and their lead wires from damage and do not expose them to water or cleaning solution.

The following tools and supplies are needed to complete the maintenance procedures described in this manual:

- Philips screwdriver
- T-20 Torx bit
- 10 mm nutdriver or socket and ratchet
- Cleaning cloths
- HEPA vacuum cleaner with soft brush nozzle and crevice tool.

Recommended

- Cordless drill, small knife, small-jaw pliers, coil cleaning solution, rotomolded housing cleaning solution.

Before each use

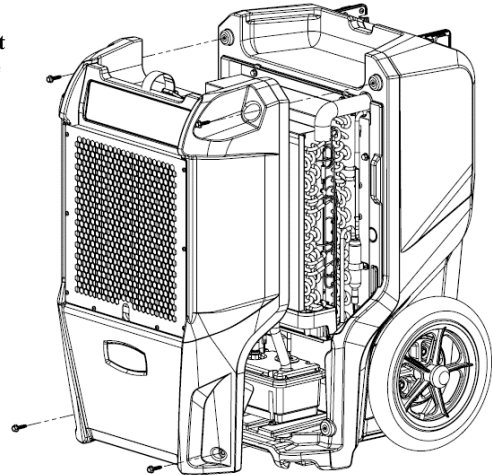
Inspect the electrical cord for damage. Look for fraying, cuts, etc. Replace the cord if you find any damage.

Inspect filter. Replace if accumulation of dust and debris is visible.

NOTICE: Replace used filters only with a new Dri-Eaz filter part no. #100254 (F579) (24-pack). Other filter

Fig. B: Disassembly for Cleaning

Remove the 4 screws from front housing and slide off to access coils and pump for service.



types do not provide adequate filtration or airflow. Each filter is individually wrapped to protect filtration effectiveness. Remove the wrapper before installing the filter into the dehumidifier.

Monthly

Inspect coils. Clean when dust accumulation is visible. In normal use, dust can accumulate and can restrict airflow, reducing performance and causing the unit to overheat.

To maintain appearance, wipe interior and exterior surfaces with a damp cloth. For deep cleaning and a lasting, protective shine, use an automotive interior treatment product.

As Needed

Clean Pump Check Valve and Basin. This requires removal of the front housing.

Clean coils. Inspect the horizontal evaporator (cold) coil with the front cover removed. If excessive dust and debris is present, vacuum thoroughly and/or clean with alkaline (non-acidic) coil cleaner.

TROUBLESHOOTING

FAULT	CAUSE	SOLUTION
Water drips out when moving unit	Unit was unplugged before purging was complete.	Purge unit before moving. See "At the End of the Job."
Unit does not operate	Unit not switched on. No power to machine.	Switch unit on. Plug in unit; check power cord connection at wall outlet and at base of unit.
Unit operating, but room not dry	Not enough time to dry. Poor air movement in room. Excessive moist air infiltration.	Make sure "Humidistat" is OFF. Allow more time for drying. Increase air movement with air movers. Seal off area to reduce infiltration.
Unit collects too little water	Room air is dry. Room temperature is too low. Filter is full. Coils are clogged.	Make sure "Humidistat" is OFF. Confirm humidity level with hygrometer. Increase room temperature. Check filter. Replace as necessary. Check coils. Clean as necessary.
<p><i>If the problem you are experiencing is not listed here, call your local distributor or contact our Service Department at 800-932-3030 for further assistance.</i></p>		

SPECIFICATIONS

Model	LGR 6000Li (#103614 (F600))
Water removal AHAM (80°F/60% RH)	100 pts. 47.3 L / day
Water removal saturation (90°F/90% RH)	204 pts. 96.5 L / day
Process air (max.)	320 CFM
Dimensions (H x D x W)	32.1 x 19.8 x 20.0 in. 81.5 x 50.3 x 50.8 cm
Weight	103 lbs. 46.7 kg
Amps	6.6A
Volts	115V
Frequency	60Hz
Power	759W
Operating range	33°F–100°F 1°C–38°C
Noise level (avg.)	53 dB
Drain hose	40 ft. 12.2 m
Power cord	25 ft. 7.6 m
Construction	Rotomolded shell
Safety	ETL certified CSA 22.2 no. 92
<p>Specifications are subject to change without notice. Some values may be approximate. *Fan speed varies automatically for optimized performance.</p>	

Order replacement air filters from your local distributor. Part no. #100254 (F579) (24 pack).

Be sure to visit Warranty.LegendBrandsRestoration.com and register your purchase. Your registration will help us provide you with updated product information as needed.

For proper disposal, this unit should be taken to a recycler licensed to process refrigeration equipment.



WARNING: This product and other substances that may become airborne from its use contain chemicals, including lead and phthalates, known to the State of California to cause cancer, birth defects, or other reproductive harm. For more information, go to P65Warnings.ca.gov

Manual del propietario Deshumidificador portátil LGR 6000Li

Modelo #103614 (F600)

Legend Brands, Inc.

15180 Josh Wilson Road, Burlington, WA 98233

Teléfono: 800-932-3030 Fax: 360-757-7950 LegendBrandsRestoration.com

El deshumidificador Dri-Eaz® LGR 6000Li reduce la humedad en ambientes cerrados al eliminar el vapor de agua del aire. El 6000Li es robusto, durable y altamente portátil y es ideal para la restauración tras daños por agua, el secado estructural, la construcción y otras aplicaciones que requieran una deshumidificación temporaria de alto rendimiento.

Patentes: LBpatents.com

CONSERVE ESTAS INSTRUCCIONES

ADVERTENCIA



INSTRUCCIONES DE SEGURIDAD

¡ADVERTENCIA! No altere ni modifique su deshumidificador de ninguna forma. Use solo piezas de repuesto autorizadas por Legend Brands, Inc., Las modificaciones o el uso de piezas no aprobadas podrían crear un peligro y anularán su garantía. Comuníquese con su distribuidor autorizado para obtener asistencia.

EXTRACCIÓN CORRECTA DEL ENCHUFE

Sostenga el enchufe macho IEC y tire directamente hacia afuera

IMPORTANTE: El daño al receptáculo IEC o el deshumidificador resultante de la extracción incorrecta del cable no está cubierta por la garantía. El cable IEC es un elemento de desgaste y no está cubierto por la garantía.



¡ADVERTENCIA! Peligro de descarga eléctrica, ventilador rotativo, peligros de superficie caliente. Desenchufe la unidad antes de abrir la cubierta para limpiar o reparar. La unidad debe estar puesta a tierra.

- Inspeccione el cable de alimentación antes de usar. Si el cable está dañado, no lo use. Siempre sostenga el enchufe (no el cable) para desenchufar.
- Inserte el enchufe de tres patas en un tomacorriente correspondiente con puesta a tierra. No use un adaptador. Nunca corte la tercera pata. No use un cable de extensión.
- La unidad debe utilizarse en un circuito de 115 V/60 Hz protegido por un dispositivo de interruptor de circuito de pérdida a tierra (GFCI).
- Mantenga seco el motor y la cablearía.
- No intente reparar la unidad. Para conocer la ubicación de un centro de servicio autorizado, comuníquese con Dri-Eaz.

AVISO: No lo utilice en entornos en los que haya sustancias químicas corrosivas, como el cloro.

ANTES DE COMENZAR

Registro de la garantía

Visite Warranty.LegendBrandsRestoration.com para registrar su compra. El registro nos permite ayudarlo mejor con el uso, mantenimiento o reparación de su equipo y comunicarnos con usted en caso de que tengamos información importante sobre su producto Dri-Eaz. Si determina que se necesita una reparación, tenga su modelo de equipo, número de serie y comprobante original de compra a mano y llame a su distribuidor para obtener asistencia para obtener una autorización de devolución del material (RMA).

CONTROLES E INSTRUCCIONES DE OPERACIÓN

Coloque la unidad en posición vertical

AVISO: No se recomienda transportar o almacenar la unidad en posición horizontal. Si la máquina se coloca en posición horizontal, el aceite del compresor puede fluir hasta las bobinas del refrigerante y reducir la posibilidad de que el deshumidificador funcione y puede dañar la unidad. Si la unidad se ha colocado en posición horizontal,

colóquela en posición vertical y déjela quieta al menos 30 minutos antes de encenderla.

Dónde colocar el deshumidificador

Para obtener mejores resultados, opere su deshumidificador en un área cerrada. Cierre todas las puertas y ventanas para maximizar la eficiencia de eliminación de agua de la unidad. Coloque el deshumidificador lejos de obstrucciones y manténgalo alejado de cualquier objeto que pueda obstruir el flujo de aire hacia y desde la unidad.

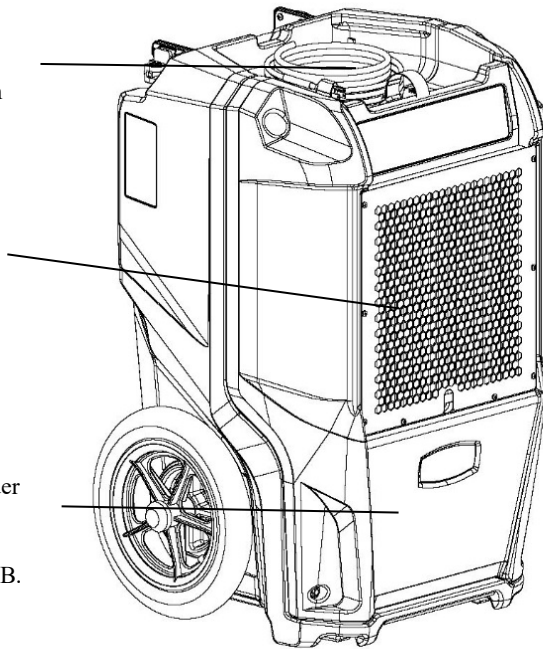
FIG. A: IDENTIFICACIÓN DE PIEZAS

FRENTE

Lugar de almacenamiento del cable de alimentación y la manguera de drenaje.

Entrada de aire húmedo. Filtro de aire.

Panel delantero. Extráigalo para acceder a la bomba y a las bobinas para su limpieza. Vea la Fig. B.



PARTE POSTERIOR

Mango integrado. Use la palanca roja para bloquear el mango en posición vertical para usar o abajo para cargar o almacenar.

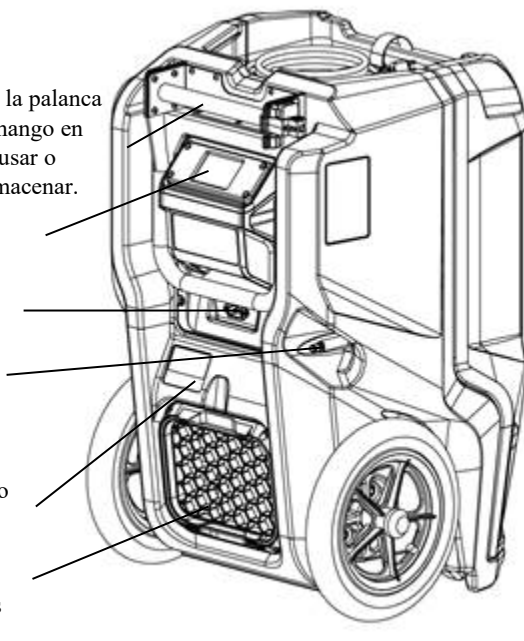
Panel de control.

Enchufe del cable de alimentación.

Conexión rápida de la manguera de drenaje.

Etiqueta con el número de serie del modelo.

Salida de aire (deshumidificado) tras el proceso.



Extienda el mango

Desbloquee el mango girando la palanca roja de bloqueo hacia afuera y luego levante el mango hasta que esté en su lugar. Gire la palanca roja hasta la posición de bloqueo para que el mango quede fijo en la posición de funcionamiento.

AVISO: No use el mango extendido para levantar la unidad del suelo de forma horizontal. No use el mango extendido como punto de sujeción para sujetar la unidad a un vehículo para su transporte. Estos usos aplicarán una tensión indebida a los puntos de sujeción del mango en la carcasa.

Instale la manguera de drenaje

Esta unidad bombea automáticamente el agua hacia afuera de forma uniforme. Este deshumidificador está equipado con un accesorio de conexión rápida para su conexión a la manguera de drenaje provista de 40 pies (12 m) ubicado en la bandeja sobre la unidad. Desenrolle la manguera completamente y coloque el extremo abierto en un lavabo, drenaje, cubo o en el exterior: en cualquier lugar donde el agua pueda drenarse de forma segura. Si usa un cubo u otro contenedor para la recolección de agua, compruébelo constantemente para evitar derrames.

AVISO: Desenrolle y enderece toda la manguera de drenaje. No deje ninguna parte de la manguera enrollada en la unidad y no coloque el extremo de la manguera a más de 20 pies (6 m) por encima de la parte inferior de la unidad. Compruebe también que no haya acodaduras u otras obstrucciones que puedan limitar el flujo de agua. Una acodadura o un bloqueo causarán que la unidad se apague y genere un código de error ER9. Consulte los "Mensajes de error" para obtener más información.

Enchufe el cable eléctrico

El deshumidificador se debe enchufar en un tomacorriente de 115 voltios protegido por un GFCI con una clasificación de al menos 15 amperios. Quite el cable de la bandeja de almacenamiento y desenróllelo. Siempre enchufe bien el cable en la unidad primero y luego enchufe el otro extremo en un tomacorriente adecuado.

CÓMO USAR EL PANEL DE CONTROL


El Controlador i-Series ofrece controles integrales para deshumidificadores y datos precisos en directo acerca del ambiente que se está deshumidificando, además de las horas de funcionamiento, mensajes de autodiagnóstico, recordatorios de mantenimiento y el estado operativo.


Para obtener información detallada e instrucciones adicionales, visite la página del Controlador i-Series en Controller.LegendBrandsRestoration.com.


Visualizaciones de la pantalla principal


Unidad APAGADA
La unidad debe estar enchufada.

Barra superior de la pantalla:
Horas de funcionamiento, hora actual

Presione MENÚ  para acceder a los controles de ajustes y configuraciones

Presione PURGA  para vaciar el tanque de condensado

Presione ENCENDER/APAGAR  para encender la unidad





Unidad ENCENDIDA
Presione la tecla ENCENDER/APAGAR para encender la unidad.


Barra superior de la pantalla:
Horas de funcionamiento, hora actual


Pantalla de información:
Temperatura de entrada/salida, % de HR y granos de humedad por libra de aire seco (GPP)
Eliminación de los GPP actuales

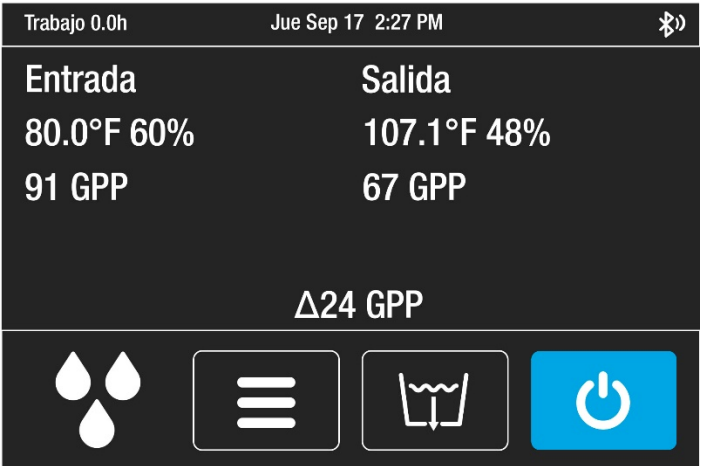
Barra inferior del menú:

 GPP de entrada de referencia rápida.
1: <60 GPP; 2: 60–90 GPP; 3: > 90 GPP

Presione MENÚ  para acceder a los controles de ajustes y configuraciones

Presione PURGA  para vaciar el tanque de condensado

Presione ENCENDER/APAGAR  para apagar la unidad



Para obtener instrucciones detalladas sobre el panel de control, visite la página del producto del Controlador i-Series en Controller.LegendBrandsRestoration.com.

ERRORES Y ADVERTENCIAS

Si el sistema de control detecta un problema, mostrará un símbolo de "Alerta" en la esquina superior derecha de la pantalla. Presione ON / OFF para ver el mensaje y OK para borrar el mensaje. NOTA: En caso de error, la unidad no funcionará hasta que se resuelva el problema. Consulte las explicaciones y soluciones que se muestran a continuación. Si estas soluciones no solucionan el problema, comuníquese con su centro de servicio autorizado local para obtener más ayuda.

MENSAJE DEL PANEL DE CONTROL	EXPLICACIÓN Y SOLUCIÓN
ER4 Error Conexion de Termistor de Descongelar —or— Conexion de Termistor de Salida	El sensor de temperatura está abierto, no está o hay un cortocircuito. Verifique que los sensores de temperatura están instalados correctamente en el panel de control. Si el error continúa, comuníquese con el servicio técnico
ER5 Error Sensor de Entrada RH1 Temp/RH	El sensor de temperatura/humedad relativa de entrada está abierto, no está o hay un cortocircuito. Verifique que el sensor de temperatura/humedad relativa de entrada esté instalado correctamente en el panel de control y la cubierta de entrada. Si el error continúa, comuníquese con el servicio técnico.
ER6 Error Falla de Sensor de Energía	Falla del sensor de corriente. Si el error continúa, comuníquese con el servicio técnico.
ER9 Error Bomba Obstruida	Compruebe que no haya obstrucciones ¿La manguera está acodada debajo de la unidad o aplastada por una rueda? Verifique que no haya bloqueos en la bomba y repare de ser necesario.
W1 Bajo BATERÍA	Reemplace la batería de tipo botón (3V, CR2032) en el panel de control.
W2 BLE Error W3 Reinici Flash W4 WDT	Apague y encienda el deshumidificador. Si la advertencia persiste, comuníquese con el servicio.

AL FINAL DE TRABAJO

Para reducir la posibilidad de goteo al mover la unidad, siga estos pasos adicionales para velar por la extracción de toda el agua de la unidad.

AVISO: La unidad completará el ciclo de descongelamiento incluso si está apagada, **pero aún enchufada**. Si la unidad se desenchufa durante el ciclo de descongelamiento, puede acumularse una cantidad excesiva de agua en la unidad y puede gotear al mover la unidad.

AVISO: Para que el tanque de condensado esté vaciado por completo tras la purga, vele por colocar la unidad en posición vertical sobre una superficie horizontal.

1. No apague ni mueva la unidad hasta que regrese al modo normal de funcionamiento.
2. Agite suavemente la máquina para velar por que el agua que quede en las superficies interiores caiga al área del sumidero.
3. Presione la tecla PURGE (PURGAR). Cuando finalice el ciclo de purga, apague la unidad.
4. Retire la manguera de drenaje externo, vacíela con cuidado, enróllela y vuelva a colocarla en la bandeja de almacenamiento en la parte superior de la unidad.

TRANSPORTE Y ALMACENAMIENTO

IMPORTANTE: Antes de mover, transportar o almacenar la unidad, púrguela y almacene la manguera y el cable de alimentación tal como se describe en la sección “Al finalizar el trabajo” más arriba.

AVISO: Maneje la unidad con cuidado. No permita que la unidad se caiga, no la arroje y no la coloque en un lugar donde podría caerse. El tratamiento brusco podría dañar el deshumidificador y puede propiciar una situación peligrosa o anular la garantía.

- No exponga el panel de control a la humedad, la nieve o la lluvia.
- Almacene y transporte de forma segura para evitar impactos dañinos en las partes internas.
- Sujete durante su transporte para prevenir su deslizamiento y posibles lesiones a los ocupantes del vehículo.
- No almacene ni transporte la unidad apoyada sobre el frente, los lados o la parte posterior. Esto ayudará a prevenir que la humedad que quede salga de la unidad o llegue a áreas fuera del sumidero.

PLAN DE MANTENIMIENTO

¡ADVERTENCIA! PELIGRO DE DESCARGA ELÉCTRICA. Desenchufe el deshumidificador antes de realizar tareas de mantenimiento.

ADVERTENCIA: Riesgo de exposición al polvo y a contaminantes. Se recomienda el uso de una máscara y guantes. Si la unidad ha estado expuesta a contaminantes potencialmente peligrosos, limpie bien y desinfecte antes de volver a utilizar.

AVISO: La unidad está equipada con sensores electrónicos sensibles. Proteja los sensores y los hilos conductores contra daños y no los exponga al agua ni a una solución limpiadora.

Se necesitan las siguientes herramientas e insumos para completar los procedimientos de mantenimiento que se describen en este manual:

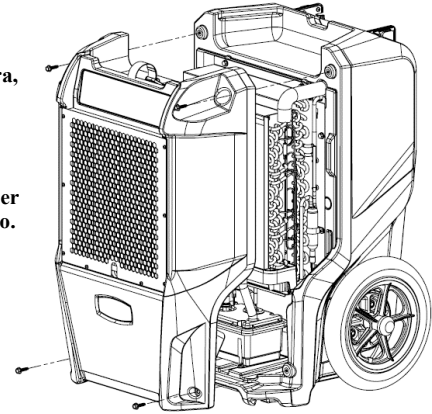
- Destornillador Philips
- Broca T-20 Torx
- Llave para tuercas o llave de cubo y trinquete (10 mm)
- Paños de limpieza
- Aspiradora HEPA con una boquilla con cepillo blando y herramienta para cavidades.

Recomendado

- Taladro inalámbrico, cuchillo pequeño, pinzas de punta pequeña, solución limpiadora de bobinas, solución limpiadora de carcasas rotomoldeadas.

Fig. B: Desensamble para la limpieza

Retire los 4 tornillos de la carcasa delantera, y deslice hacia afuera para acceder a las bobinas ya la bomba para hacer el mantenimiento.



Antes de cada uso

Inspeccione el cable eléctrico para detectar daños: busque raeduras, cortes, etc. Reemplace el cable si detecta algún daño.

Inspeccione el filtro: reemplácelo si observa que hay acumulación de polvo y suciedad.

AVISO: Reemplace los filtros usados con un filtro nuevo Dri-Eaz, número de pieza #100254 (F579) (paquete de 24). Otros tipos de filtros no proporcionan filtración o flujo de aire adecuados. Cada filtro se envuelve individualmente para conservar la eficiencia de la filtración. Quite la envoltura antes de instalar el filtro en el deshumidificador.

Mensual

Inspeccione las bobinas: limpie si observa que hay acumulación de polvo. Con un uso normal, el polvo puede acumularse y puede restringir el flujo de aire, lo cual disminuye el rendimiento y provoca el recalentamiento de la unidad.

Para mantener el aspecto: limpie la superficie interior y exterior con un paño húmedo. Para una limpieza profunda y un brillo duradero y de protección, use un tratamiento automotriz en el interior.

Según sea necesario

Limpie la válvula de retención de la bomba y el recipiente: Esto exige la extracción de la carcasa del frente.

Limpie las bobinas: inspeccione la bobina evaporadora horizontal (frío) sin la cubierta del frente. Si observa una cantidad excesiva de polvo y suciedad, aspire bien o limpie con un limpiador para bobinas.

RESOLUCIÓN DE PROBLEMAS

FALLA	CAUSA	SOLUCIÓN
Gotea agua al mover la unidad	La unidad se desenchufó antes de completar la purga.	Purgue la unidad antes de moverla. Vea “Al final del trabajo”.
La unidad no funciona.	Unidad no encendida. La unidad no está enchufada.	Encienda la unidad. Enchufe la unidad; compruebe la conexión del cable de alimentación en el tomacorriente y en la base de la unidad.
La unidad funciona, pero la sala no está seca	No se asignó un tiempo suficiente para secar. Movimiento de aire deficiente en la sala. Entrada de aire excesivamente húmedo.	Verifique que “Humidistat” esté apagado. Asigne más tiempo al secado. Aumente el movimiento de aire con ventiladores. Cierre la sala para reducir el ingreso de aire.
La unidad recoge muy poca agua	El aire de la sala es seco. La temperatura de la sala es demasiado baja. El filtro está lleno. Las bobinas están obstruidas.	Verifique que “Humidistat” esté apagado. Confirme el nivel de humedad con un higrómetro. Aumente la temperatura de la sala. Examine el filtro. Reemplácelo de ser necesario. Examine las bobinas. Límpielas de ser necesario.
<p><i>Si el problema que experimenta no figura en esta lista, llame a su distribuidor local o comuníquese con nuestro Servicio de Atención al Cliente al 800-932-3030 para obtener asistencia.</i></p>		

ESPECIFICACIONES TÉCNICAS

Modelo	LGR 6000Li (#103614 (F600))
Extracción de agua AHAM (80 °F/60 % de humedad relativa)	100 pintas 47,3 l/día
Saturación de la extracción de agua (90°F/90 % de humedad relativa)	204 pintas 96,5 l/día
Dimensiones (altura × ancho × profundidad)	32,1 × 19,8 × 20,0 in 81,5 × 50,3 × 50,8 cm
Peso	103 lbs. 46.7 kg
Amperios	6,6 A
Voltios	115 V
Frecuencia	60 Hz
Potencia	759 W
Intervalo de funcionamiento	33 °F–100 °F 1 °C–38 °C
Aire tratado (máx.)	320 pies cúbicos por minuto
Nivel sonoro (promedio)	53 dB
Manguera de drenaje	40 pies 12,2 m
Cable de alimentación	25 pies 7,6 m
Construcción	Carcasa rotomoldeada
Seguridad	Certificación ETL CSA 22.2 n.º 92
<p>Las especificaciones técnicas pueden cambiar sin previo aviso. Algunos valores pueden ser aproximados. *La velocidad del ventilador varía automáticamente para un rendimiento optimizado.</p>	

Filtro de aire N.º de pieza 100254 (F579) (paquete de 24).

Puede encontrar información de la garantía en LegendBrandsRestoration.com.

Vele por visitar Warranty.LegendBrandsRestoration.com y registrar su compra. Su registro nos ayudará a brindarle información actualizada del producto en función de sus necesidades.

Para desecharla de forma adecuada, esta unidad debe llevarse a un reciclador licenciado que se encargue de equipos de refrigeración.



ADVERTENCIA: Este producto y otras sustancias que pueden desprenderse del aire por su uso contienen productos químicos, entre ellos plomo y ftalatos, que el estado de California sabe que causan cáncer, defectos congénitos u otros daños durante la gestación. Para obtener más información, visite P65Warnings.ca.gov.

Manuel d'utilisation

Déshumidificateur portatif LGR 6000Li

Modèle #103614 (F600)

Legend Brands, Inc.

15180 Josh Wilson Road, Burlington, WA 98233

Téléphone : 800-932-3030 Fax : 360-757-7950 LegendBrandsRestoration.com

Le déshumidificateur Dri-Eaz® LGR 6000Li réduit l'humidité dans des endroits fermés en éliminant la vapeur d'eau dans l'air. Le 6000Li est robuste, durable et hautement portatif, ce qui en fait l'équipement idéal pour réparer des dégâts causés par l'eau, sécher des structures, les travaux de construction et d'autres applications qui nécessitent une déshumidification temporaire, hautement performante.

Brevets : LBpatents.com

CONSERVER CES INSTRUCTIONS

AVERTISSEMENT



INSTRUCTIONS DE SÉCURITÉ

AVERTISSEMENT ! En aucun cas, vous ne devez altérer ou modifier votre déshumidificateur. Utilisez seulement des pièces de rechange autorisées par Legend Brands, Inc., Des modifications ou l'utilisation de pièces non approuvées peuvent entraîner un risque de danger et annuleront votre garantie. Contactez votre distributeur agréé pour une assistance.

AVERTISSEMENT ! Risques de choc électrique, ventilateur rotatif, surface brûlante. Débranchez

RETRAIT CORRECT DE LA PRISE

Saisissez la prise IEC et tirez tout droit.

IMPORTANT : Des dommages de la prise IEC ou du déshumidificateur résultant d'un retrait incorrect du câble d'alimentation ne sont pas couverts par la garantie. Le câble d'alimentation IEC est une pièce d'usure et n'est pas couvert par la garantie.



l'unité avant d'ouvrir le couvercle pour procéder à un nettoyage ou un entretien. L'appareil doit être mis à la terre.

- Inspectez le câble d'alimentation avant utilisation. Si le câble est endommagé, ne l'utilisez pas. Saisissez toujours la prise (pas le câble) pour débrancher.
- Insérez la fiche triphasée du câble d'alimentation dans une prise de terre correspondante. N'utilisez pas d'adaptateur. Ne coupez jamais la troisième broche. N'utilisez pas de rallonge.
- L'appareil doit fonctionner sur un circuit 115V/60Hz protégé par un disjoncteur différentiel de fuite à la terre (DDFT).
- Maintenez le moteur et le câblage au sec.
- Ne tentez pas de réparer l'appareil. Pour les centres d'entretien et de réparation agréés, contactez Dri-Eaz.

AVIS: Ne pas utiliser dans des environnements contenant des produits chimiques corrosifs, tels que le chlore.

AVANT DE COMMENCER

Enregistrement de la garantie

Visitez Warranty.LegendBrandsRestoration.com pour enregistrer votre achat. L'enregistrement de la garantie nous permet de mieux vous assister avec l'utilisation, l'entretien ou la réparation de votre équipement et de vous contacter dans le cas où nous avons des informations de sécurité importantes à vous communiquer concernant votre produit Dri-Eaz. Si vous estimez qu'une réparation ou entretien est nécessaire, ayez à portée de main le modèle de l'appareil, le numéro de série et la preuve originale d'achat avant d'appeler votre distributeur pour assistance qui vous donnera une autorisation de retour de matériel (RMA).

COMMANDES ET INSTRUCTIONS DE FONCTIONNEMENT

Mettez l'unité debout en position verticale.

NOTICE : Le transport ou l'entreposage de l'unité dans la position horizontale n'est pas recommandé. Lorsque la machine est placée en position

horizontale, l'huile du compresseur peut s'écouler dans les serpentins du réfrigérant et cela peut réduire les capacités de fonctionnement du déshumidificateur et causer des dommages éventuels de l'appareil. Si l'unité a été placée en position horizontale, mettez-la debout en position verticale et laissez-la dans cette position pendant au moins 30 minutes avant de la mettre en marche.

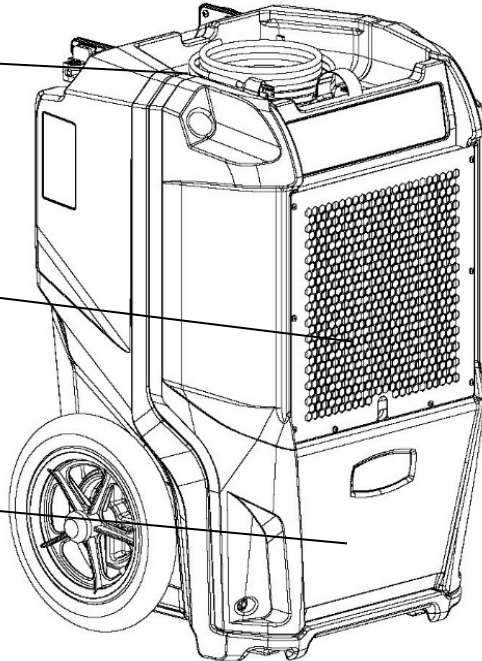
FIG. A : IDENTIFICATION DES PIÈCES

AVANT

Rangement du câble d'alimentation et du tuyau de vidange.

Entrée d'air humide. Filtre d'air

Panneau avant. Retirez pour accéder à la pompe et aux serpentins pour le nettoyage. Voir la Fig. B.



ARRIÈRE

Poignée intégrée. Utilisez la manette rouge pour bloquer la poignée en position verticale pour le fonctionnement ou l'abaisser pour le chargement ou le logement.

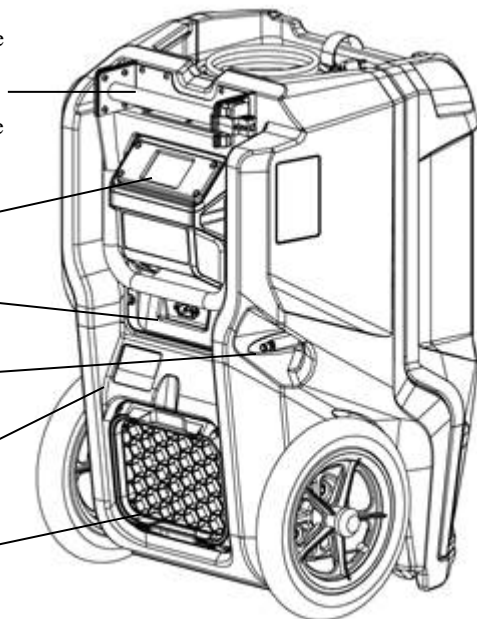
Panneau de commande.

Fiche du câble d'alimentation

Raccord rapide du tuyau de vidange.

Étiquette du numéro de série du modèle

Sortie d'air de traitement



Positionner un déshumidificateur

Pour obtenir des résultats optimaux, faites fonctionner votre déshumidificateur dans un endroit fermé. Fermez toutes les portes et les fenêtres pour maximiser l'absorption d'eau de l'appareil. Éloignez votre déshumidificateur des obstructions et de tout objet pouvant gêner le flux d'air dans et hors de l'appareil.

Poignée d'extension

Relâchez la poignée en tournant la manette rouge vers l'extérieur, puis positionnez la poignée vers le haut. Tournez la manette rouge de nouveau pour la bloquer en positionnement de fonctionnement.

NOTICE : N'utilisez pas la poignée d'extension pour soulever l'appareil du sol, de manière horizontale. N'utilisez pas la poignée d'extension comme dispositif de fixation pour attacher l'unité dans un véhicule pour le transport. Une telle utilisation exerce une pression excessive sur les points d'attache de la poignée dans le logement.

Mise en place du tuyau de vidange

Cet appareil pompe de l'eau automatiquement sur une base régulière. Ce déshumidificateur est équipé d'un raccord à connexion rapide pour l'attachement au tuyau de vidange fourni (12 m - 40 ft), situé sur le plateau sur le dessus de l'unité. Déballez le tuyau entier et placez l'extrémité ouverte dans un bac, drain ou seau, ou dehors, dans un endroit où l'eau peut s'écouler en toute sécurité. Si vous utilisez un seau ou un autre contenant pour la collecte de l'eau, vérifiez régulièrement pour éviter un débordement.

NOTICE : Déroulez et redressez le tuyau de vidange entier. Ne laissez aucune partie du tuyau enroulée sur l'unité et ne placez pas l'extrémité du tuyau à une hauteur de plus de 6 m (20 ft), à partir du bas de l'unité. Vérifiez aussi qu'il n'y ait pas de torsion ou d'obstructions qui puissent restreindre le flux d'eau. Une torsion ou une

obstruction du câble peut entraîner un arrêt de l'unité et produire un code d'erreur.

Retirez le câble du plateau de rangement et déroulez-le. Branchez toujours le câble fermement sur l'unité d'abord, puis branchez l'autre extrémité sur une prise électrique appropriée.

Brancher le câble électrique

Le déshumidificateur doit être branché sur une prise de 115 volts avec protection DDFT, d'au moins 15 amps.

COMMENT UTILISER LE PANNEAU DE CONTRÔLE


Le Contrôleur i-Series offre des contrôles complets pour le déshumidificateur et des données détaillées en temps réel sur l'environnement à sécher, ainsi que les heures de travail; des messages d'auto-diagnostic, des rappels d'entretien et le statut de fonctionnement.


Pour des informations détaillées et des instructions supplémentaires, veuillez visiter la page du Contrôleur i-Series sur Controller.LegendBrandsRestoration.com


Affichages écran d'accueil


Unité FERMÉE
L'unité doit être branchée.

Barre d'affichage supérieure:
Heures de travail, heure actuelle

Appuyez sur  MENU pour accéder aux réglages et aux contrôles de configuration




Appuyez sur  PURGER pour vidanger le réservoir

Appuyez sur  OUVERT/FERMÉ pour ouvrir l'unité.

Job 0.0h Jeu Sep 17 2:27 PM 

Entrée	Sortie
--	--
--	--

ARRÊT


  


Unité OUVERTE
Appuyez sur OUVERT/FERMÉ pour ouvrir l'unité.


Barre d'affichage supérieure:
Heures de travail, heure actuelle


Affichage de l'information:
Température entrée/sortie, % HR et GPP
Retrait actuel GPP


Barre de menu du bas:

 GPP d'entrée de référence rapide.
1: <60 GPP; 2: 60 à 90 GPP; 3:> 90 GPP

Appuyez sur  MENU pour accéder aux réglages et aux contrôles de configuration





Appuyez sur  PURGER pour vidanger le réservoir

Appuyez sur  OUVERT/FERMÉ pour fermer l'unité.

Job 0.0h Jeu Sep 17 2:27 PM 

Entrée	Sortie
80.0°F 60%	107.1°F 48%
91 GPP	67 GPP

Δ24 GPP

Pour les instructions détaillées sur le panneau de contrôle, veuillez visiter la page du produit Contrôleur i-Series sur le site Controller.LegendBrandsRestoration.com

ERREURS ET AVERTISSEMENTS

Si le système de contrôle détecte un problème, il affichera un symbole «Alerte» dans le coin supérieur droit de l'écran. Appuyez sur ON / OFF pour afficher le message et sur OK pour effacer le message. REMARQUE: En cas d'erreur, l'unité ne fonctionnera pas tant que le problème ne sera pas résolu. Reportez-vous aux explications et solutions ci-dessous. Si ces solutions ne résolvent pas le problème, contactez votre centre de service local agréé pour obtenir de l'aide.

CONTROL PANEL MESSAGE	EXPLANATION AND SOLUTION
ER4 erreur contacts de la thermistance de dégivrage —or— ER4 erreur contacts de la thermistance de sortie	Le capteur de température est ouvert, manquant ou court-circuité. Vérifiez que les capteurs de température sont installés correctement sur le panneau de commande. Si l'erreur persiste, contactez le service d'assistance.
ER5 erreur capteur RH1 temp/HR d'entrée	Le capteur temp/RH en entrée est ouvert, manquant ou court-circuité. Vérifiez que le capteur temp/RH en entrée est installé correctement sur le panneau de commande et l'enveloppe d'admission. Si l'erreur persiste, contactez le service d'assistance.
ER6 erreur défaillance du capteur de courant	Panne du capteur de courant. Si l'erreur persiste, contactez le service d'assistance.
ER9 erreur pompe bloquée	Vérifiez s'il y a des obstructions. Est-ce que le tuyau est tordu sous l'unité ou coincé sous une roue ? Vérifiez que la pompe n'est pas obstruée et corrigez si nécessaire.
W1 Basse BATTERIE	Remplacez la pile bouton (3 V, CR2032) sur le panneau de commande.
W2 Erreur BLE W3 Flash Reset W4 WDT Reset	Remettez le déshumidificateur sous tension. Si l'avertissement persiste, contactez le service.

À LA FIN DE LA TÂCHE

Pour réduire la possibilité d'égouttement lors du déplacement de l'unité, suivez ces étapes supplémentaires pour vous assurer que toute l'eau est éliminée de l'unité.

NOTICE : L'unité termine le cycle de dégivrage même si elle est à l'arrêt **mais reste toujours branchée**. Si l'unité est débranchée durant le cycle de dégivrage, un excédent d'eau peut s'accumuler dans l'unité et peut s'égoutter lorsque vous déplacez l'unité.

NOTICE : Pour s'assurer que le bac de condensat se vide complètement durant la purge, vérifiez que l'unité est positionnée debout, à la verticale sur une surface horizontale.

1. Ne mettez pas l'unité à l'arrêt ou ne la déplacez pas jusqu'à ce qu'elle revienne en mode de fonctionnement normal.
2. Secouez doucement la machine pour vérifier que l'eau restante sur les surfaces intérieures s'écoule dans le puisard.
3. Appuyez sur la touche PURGE. Lorsque le cycle de purge est terminé, arrêtez la machine.
4. Retirez le tuyau de vidange externe, drainez-le soigneusement, enroulez-le et remettez-le sur le plateau de rangement en haut de l'unité.

TRANSPORT ET RANGEMENT

IMPORTANT : Avant de déplacer, transporter ou ranger l'unité, purgez l'unité et rangez le tuyau et le

câble d'alimentation tel qu'il est décrit dans la section ci-dessus « À la fin de la tâche ».

NOTICE : Manipulez l'unité avec précaution. Ne faites pas tomber l'unité ou ne la placez pas dans un endroit d'où elle pourrait tomber. Un traitement sans précautions peut endommager le déshumidificateur et causer un risque de danger ou annuler la garantie.

- N'exposez pas le panneau de commande à l'humidité, la neige ou la pluie.
- Entrez et transportez l'unité de manière sûre pour éviter des dommages des pièces internes.
- Sécurisez l'unité durant le transport pour éviter qu'elle ne glisse et cause des blessures aux occupants du véhicule.
- Ne transportez pas ou n'entrez pas l'unité sur sa face avant, sur les côtés ou sur le dos. Ceci permet d'éviter que l'humidité restante ne s'échappe de l'unité ou s'égoutte dans des parties en dehors du puisard.

PROGRAMME DE MAINTENANCE

AVERTISSEMENT ! RISQUE DE CHOC ÉLECTRIQUE. Débranchez le déshumidificateur avant d'effectuer une opération de maintenance.

AVERTISSEMENT : Risque d'exposition à la poussière et à des contaminants. L'utilisation d'un masque respiratoire et de gants est recommandée. Si l'unité a été exposée à des contaminants potentiellement dangereux, nettoyez en profondeur et désinfectez avant réutilisation.

NOTICE : L'unité est équipée de capteurs électroniques sensibles. Protégez les capteurs et leurs fils conducteurs des dommages et ne les exposez pas à l'eau ou à une solution de nettoyage.

Les outils et les fournitures suivants sont nécessaires pour effectuer les procédures de maintenance décrites dans ce manuel :

Tournevis Philips
Embout T-20 Torx
Tournevis 10 mm ou douille et cliquet
Chiffons de nettoyage
Aspirateur HEPA avec embout à brosse douce et suceur plat.

Recommandé

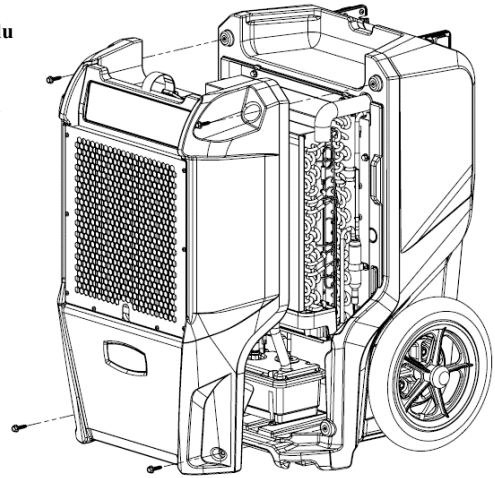
Perceuse sans fil, petit couteau, petites pinces, solution de nettoyage de serpentin, solution de nettoyage de logement rotomoulé.

Avant chaque utilisation

Inspecter le câble électrique pour détecter les dommages. Détectez les coupures, effilochages, etc. Remplacez le câble s'il est endommagé.

Fig. B : Démontage pour le nettoyage

Retirez les 4 vis du panneau avant et faites coulisser pour accéder aux serpentins et à la pompe pour effectuer une opération



Inspecter le filtre. Remplacez le câble si une accumulation de poussière et de débris est visible.

NOTICE : Remplacez les filtres usés seulement avec un nouveau filtre Dri-Eaz n° #100254 (F579) (boîte de 24). Les autres types de filtre n'offrent pas une filtration ou un flux d'air adéquat. Chaque filtre est emballé individuellement pour préserver l'efficacité de la filtration. Retirez l'emballage avant d'installer le filtre dans le déshumidificateur.

Tous les mois

Inspecter les serpentins. Nettoyez lorsque l'accumulation de poussière est visible. Durant une utilisation normale, de la poussière peut s'accumuler et restreindre le flux d'air, réduire la performance et causer une surchauffe de l'unité.

Pour préserver l'aspect de l'unité, essuyez les surfaces intérieures et extérieures avec un chiffon humide. Pour un nettoyage approfondi et obtenir un lustre protecteur et durable, utilisez un produit de traitement d'intérieur automobile.

Si nécessaire

Nettoyer le clapet antiretour de la pompe et le bac Cela nécessite le retrait du logement avant.

Nettoyer les serpentins. Inspectez le serpentin d'évaporateur horizontal (froid) avec le couvercle avant retiré. Si un excédent de poussière et de débris est présent, aspirez en profondeur et/ou nettoyez avec un produit nettoyant pour serpentin.

DÉPANNAGE

ERREUR	CAUSE	SOLUTION
De l'eau s'égoutte lorsque l'unité est déplacée.	L'unité a été débranchée avant que la purge ne soit terminée.	Purgez l'unité avant de la déplacer. Voir « À la fin de la tâche ».
L'unité ne fonctionne pas.	L'unité n'est pas sous tension. Il n'y a pas d'alimentation électrique dans la machine.	Mettez l'unité sous tension. Branchez l'unité; vérifiez le branchement du câble d'alimentation sur la prise murale et à la base de l'unité.
L'unité fonctionne, mais la salle n'est pas sèche	Temps de séchage insuffisant. Circulation de l'air insuffisante dans la salle. Infiltration d'air humide excessive.	Vérifiez que l'hygrostat (« Humidistat ») est sur OFF. Laissez sécher plus longtemps. Augmentez la circulation de l'air avec des ventilateurs de refroidissement. Fermez la zone pour réduire l'infiltration.
L'unité ne collecte pas assez d'eau.	L'air de la pièce est sec. La température de la pièce est trop basse. Le filtre est plein. Les serpentins sont bouchés.	Vérifiez que l'hygrostat (« Humidistat ») est sur OFF. Vérifiez le niveau d'humidité avec l'hygromètre. Augmentez la température de la pièce. Vérifiez le filtre. Remplacez si nécessaire. Vérifiez les serpentins. Nettoyez si nécessaire.
<p><i>Si le problème rencontré n'est pas décrit ici, appelez votre distributeur local ou contactez notre Service d'assistance au 800-932-3030 pour une assistance.</i></p>		

CARACTÉRISTIQUES TECHNIQUES

Modèle	LGR 6000Li (#103614 (F600))
Élimination de l'eau AHAM (80°F/60% RH)	100 pts. 47,3 L / jour
Élimination de l'eau Saturation (90°F/90% RH)	204 pts. 96,5 L / jour
Air de traitement (max.)	320 CFM
Dimensions (H x D x W)	32,1 x 198 x 20,0 in. 81,5 x 50,3 x 50,0 cm
Poids	103 lbs. 46.7 kg
Amps	6,6A
Volts	115V
Fréquence	60Hz
Alimentation électrique	759W
Plage de fonctionnement	33°F–100°F 1°C–38°C
Niveau de bruit (moyen)	53 dB
Filtre à air	N° pièce #100254 (F579) (boîte de 24)
Tuyau de vidange	40 ft. 12,2 m
Câble d'alimentation	25 ft. 7,6 m
Construction	Coque rotomoulée
Sécurité	ETL certifié CSA 22.2 n° 92
<p>Les caractéristiques techniques sont sujettes à des changements sans préavis. Certaines valeurs peuvent être approximatives. *La vitesse du ventilateur varie automatiquement pour une performance optimisée.</p>	

Filtre à air N° pièce #100254 (F579) (boîte de 24)

Les informations de garantie sont disponibles sur LegendBrandsRestoration.com.

N'oubliez pas de visiter Warranty.LegendBrandsRestoration.com et d'enregistrer votre achat. Votre inscription nous aidera à vous communiquer les mises à jour sur le produit, si nécessaire.

Pour une mise au rebut correcte, cette unité doit être déposée dans un centre de recyclage agréé pour le traitement des équipements de réfrigération.



MISE EN GARDE: Ce produit et d'autres substances, qui peuvent être libérés dans l'air lors de l'utilisation, contiennent des produits chimiques, parmi lesquels le plomb et les phtalates, considérés par l'État de Californie comme vecteurs de cancer, d'anomalies congénitales ou d'autres troubles de la reproduction. Pour plus d'informations, rendez-vous sur P65Warnings.ca.gov