



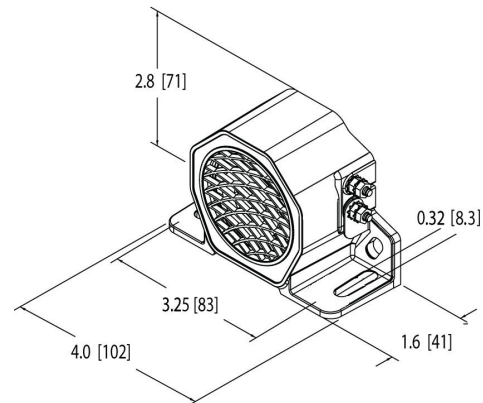
GLOBALTM INDUSTRIAL

Model 800506 - Forklift Reverse Alarm

Dimensions inches (mm):

Technical Specifications:

- Voltage: 12-48V DC
- Decibels: 107+/-3Db
- Color: Black
- Type: Universal
- Mounting: Bolt (2 or 4)
- Certification: CE, cUL/UL



WARNING: Read all instructions prior to installation and operation.

- Select a convenient mounting location on the vehicle with no interference.
- Mount the alarm through the mounting holes using the appropriate hardware (not included).
- Connect the reverse alarm using the existing wiring connections from the vehicles battery. Ensure voltage is the standard 12-48V DC. Confirm battery's positive connector is connected to the alarm's positive terminal (marked "+"), and the negative connector is connected to the alarm's negative terminal (marked "-").
- Test to make sure the back-up alarm system is properly working prior to actual operation. If the alarm does not function, reverse the power leads to the alarm and test again.

